

Spare parts catalogue
IHI 80VX3

Silverhorn.CO.UK

USE OF THE PARTS CATALOG

1. Preface

Illustrations and diagrams shown in the parts catalog are shown to the extent necessary to identify the part, but are not meant to serve as a detailed representation of the part. To order parts, refer to the itemization given below, then place your order with the servicing plant designated by IHI.

2. How to Read the Parts Catalog

- (a) An index and table of contents list each item separately. Please refer to the necessary sections.
- (b) Meanings of symbols preceding the parts number
 - × Part cannot be supplied.
 - ☆ Supplied as a separate part.
Part number is indicated in the remarks column.
 - △ Special order parts, which are manufactured after the order is received.
 - # Detailed diagram provided separately. Sheet number indicated in the remarks column.
- (c) An asterish preceding the part name indicates a compositional part required in part assembly. All subsequent multiple asterisks indicate parts that are structurally required for the assembly of the preceding part.
- (d) The quantity, in principle, indicates the number of parts required for one unit of machinery, For parts requiring assembly, the number of parts required to assembly one set is given.
- (e) Interchangeability of parts is shown as follows:

0750 729 UA		Change from part shown at the top to part shown below.
0750 744 UA	○	The new part is interchangeable with the old.
0750 659 UA		Change from part shown at the top to part shown below.
0750 669 UA	×	The new part is not interchangeable with the old.
- (f) Suitability for various machinery

26127 ~		Part used in equipment numbered 26127 and equipment subsequently numbered.
26127 ~ 26169		Part used in equipment numbered 26127 through 26169.
- (g) Notes and meanings of abbreviations

Sh. No.	Sheet No.	I.D.	Inside diameter
L	Length	O.D.	Outside diameter
t	Thickness	P	Pitch
W/	With	AR	As required (numberrequired)
W/O	Without		

3. Engine part orders: Please order from your local sales distributor or engine manufacturer, using their catalog.

4. When placing an order for parts, please check that you have clearly specified the following: (1) machinery name, (2) machinery number, (3) parts number, (4) parts name and (5) quantity of parts you are ordering.

5. With regard to improvements to equipment, such modifications may be made without notice.

TABLE OF CONTENTS

LOWER MACHINE

1-1_LOWER MACHINE ASS'Y.....	1
1-2_CRAWLER SHOE ASS'Y.....	3
1-2[A]_CRAWLER SHOE ASS'Y(LINK CHAIN).....	5
1-3_CRAWLER SHOE ADJ. DEVICE.....	7
1-4_FRONT IDLER ASS'Y.....	9
1-5_LOWER ROLLER ASS'Y.....	11
1-6_UPPER ROLLER ASS'Y.....	13
1-7_LOWER TRAVEL PIPING ASS'Y.....	15

TURNTABLE

2-1_TURNTABLE & SWING BEARING ASS'Y.....	17
--	----

SWING DRIVE DEVICE

3-1_SWING DRIVE DEVICE.....	19
-----------------------------	----

HYDRAULIC PIPING

4-1A_RETURN & SUCTION PIPING ASS'Y.....	21
4-2A_SWING & TRAVEL PIPING ASS'Y.....	25
4-3A_PUMP DISCHARGE & BOOM SWING PIPING ASS'Y.....	27
4-4A[A]_CONTROL PIPING ASS'Y(A-D & A, B, G CHANGE).....	29
4-4A[B]_CONTROL PIPING ASS'Y(FOR SHORT LEVER).....	33
4-4A[C]_CONTROL PIPING ASS'Y(A, F CHANGE).....	37

HYDRAULIC INSTRUMENT

5-1A_TRAVEL MOTOR ASS'Y.....	41
5-2_SWING MOTOR ASS'Y.....	45
5-3_ROTARY JOINT ASS'Y.....	49
5-4A_CONTROL VALVE ASS'Y	
5-4A_CONTROL VALVE ASS'Y(1/2).....	51
5-4A_CONTROL VALVE ASS'Y(2/2).....	52
5-5A[B]_REMOTE CONTROL VALVE ASS'Y(FOR SHORT LEVER).....	55
5-6_HYDRAULIC OIL TANK ASS'Y.....	57
5-7_OIL PUMP ASS'Y.....	59
5-8_BOOM CYLINDER ASS'Y.....	63
5-9_ARM CYLINDER ASS'Y.....	65
5-10_BUCKET CYLINDER ASS'Y.....	67
5-11_BOOM SWING CYLINDER ASS'Y.....	69
5-12_BLADE CYLINDER ASS'Y.....	71
5-13_MULTIPLE VALVE ASS'Y(FOR A-D CHANGE).....	73
5-13[A]_MULTIPLE VALVE ASS'Y(FOR A, B, G CHANGE).....	75
5-13[B]_MULTIPLE VALVE ASS'Y(FOR A, F CHANGE).....	77
5-14_MANIFOLD ASS'Y.....	79
5-15_PILOT VALVE ASS'Y.....	81
5-16_SHOCKLESS VALVE ASS'Y.....	83
5-17_SOLENOID VALVE ASS'Y.....	85
5-18_PILOT VALVE ASS'Y(TRAVEL).....	87

OPERATING CONTROLS

6-1A_TRAVEL LEVER ASS'Y.....	89
6-2A[A]_CONTROL LEVER ASS'Y(FOR SHORT LEVER).....	91
6-3A_BLADE & BOOM SWINGCONTROL ASS'Y.....	95

POWER UNIT

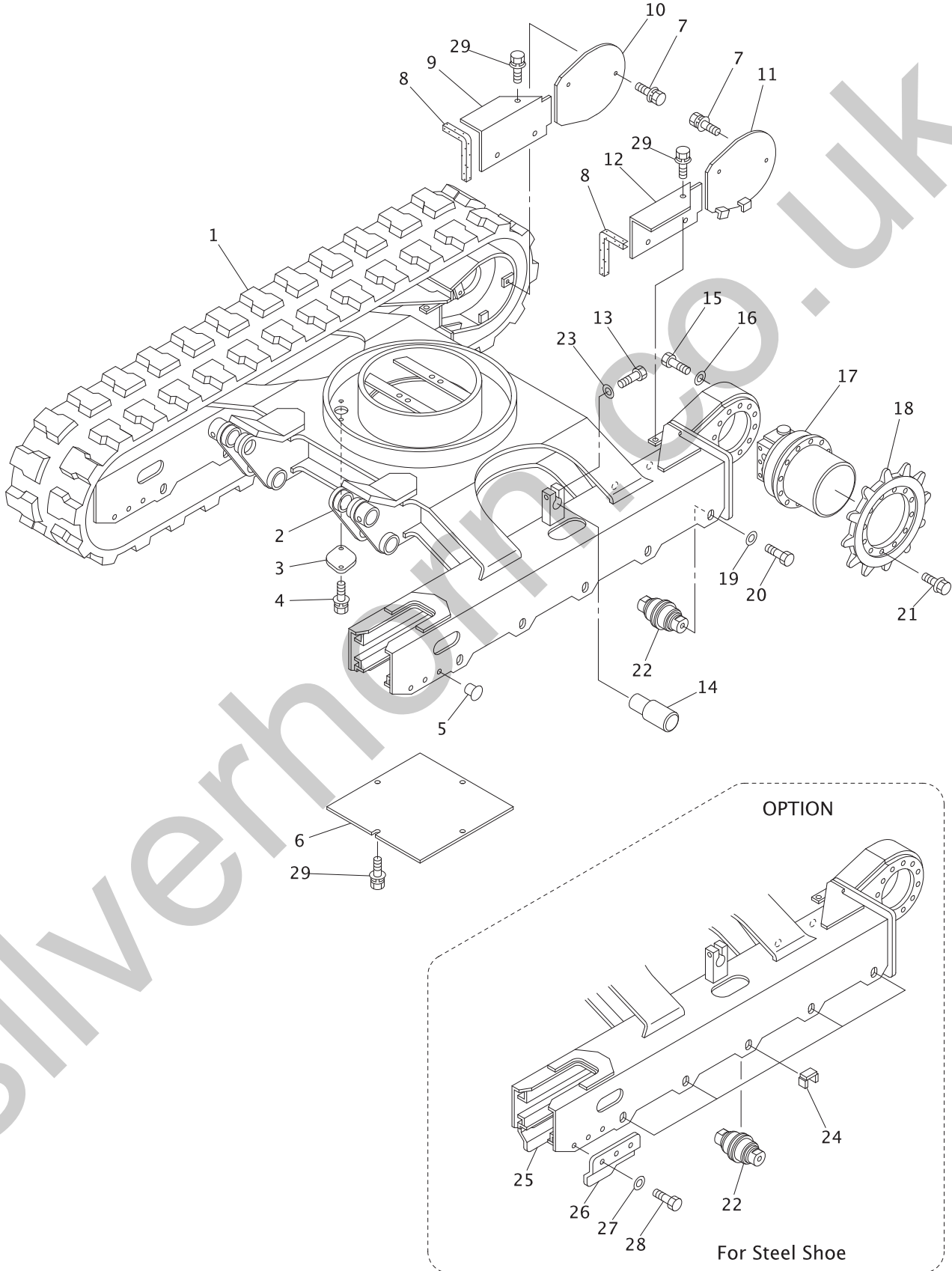
7-1_ENGINE & ACCESSORIES.....	97
7-2_AIR CLEANER & MUFFLER ASS'Y.....	101
7-3_OIL PUMP DRIVE DEVICE.....	105
7-4_FUEL TANK & PIPING ASS'Y.....	107

CAB & RELATED PARTS

8-1_COVER ASS'Y(1).....	111
8-2_COVER ASS'Y(2).....	115

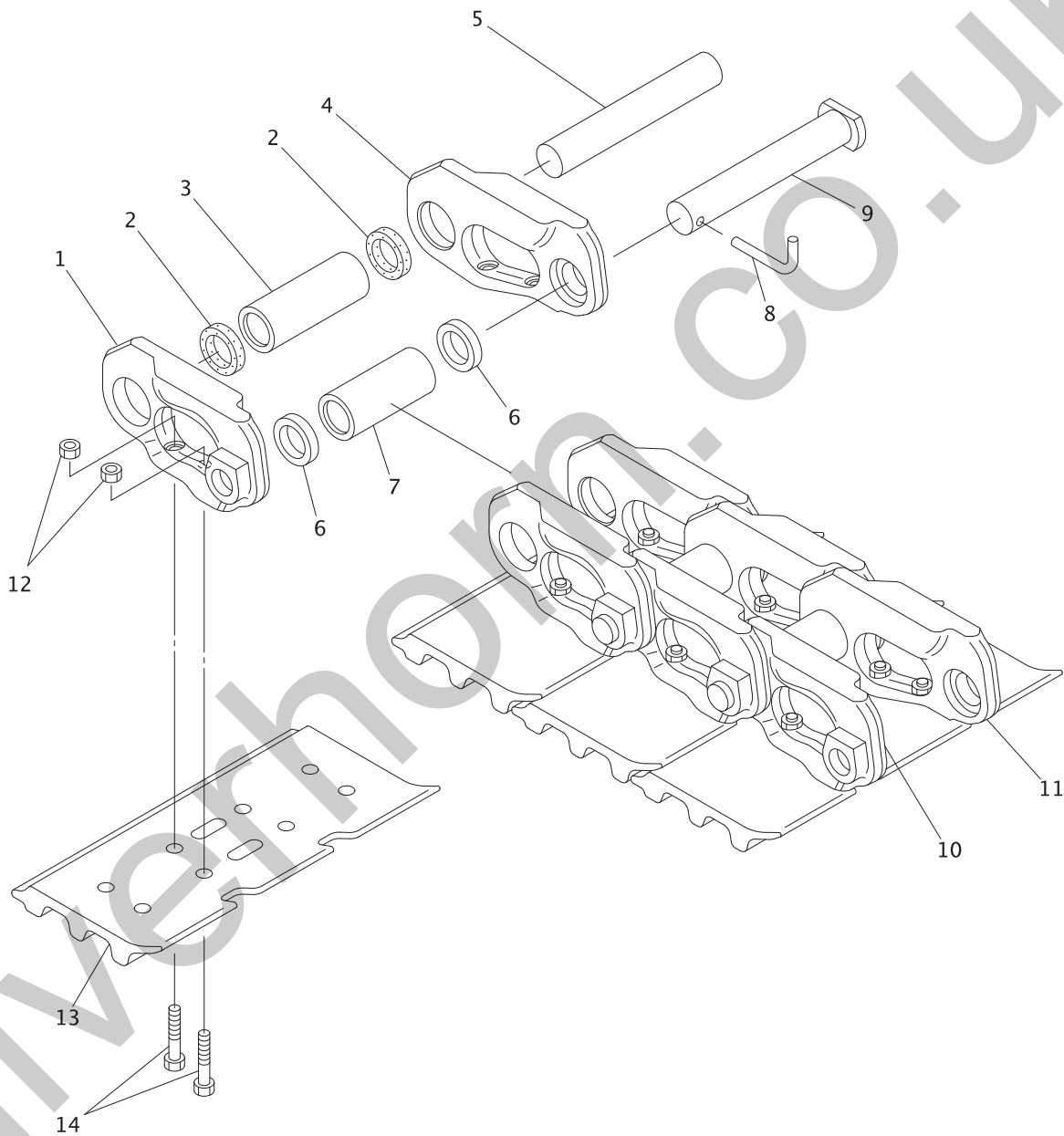
TABLE OF CONTENTS

8-3_NOISE ABSORBENT ASS'Y.....	119
8-6A_OPERATOR SEAT & MAT ASS'Y.....	123
8-7_COUNTER WEIGHT ASS'Y.....	125
8-8A_NAME PLATE ASS'Y(FOR JAPANESE).....	127
8-8A[A]_NAME PLATE ASS'Y(FOR ENGLISH).....	129
8-8A[B]_NAME PLATE ASS'Y(FOR ITALIAN).....	133
8-8A[C]_NAME PLATE ASS'Y(FOR FRENCH).....	137
8-8A[D]_NAME PLATE ASS'Y(FOR GERMAN).....	141
8-8A[E]_NAME PLATE ASS'Y(FOR DANISH).....	145
8-8A[F]_NAME PLATE ASS'Y(FOR DUTCH).....	149
8-8A[G]_NAME PLATE ASS'Y(FOR SPANISH).....	153
8-9_OPERATOR ROOM ASS'Y(1)(ITAL CAB).....	157
8-10_OPERATOR ROOM ASS'Y(2)(ITAL CAB).....	159
8-11_OPERATOR ROOM ASS'Y(3)(ITAL CAB).....	163
ELECTRIC SYSTEM	
9-1A_ELECTRIC SYSTEM.....	167
9-2A_INSTRUMENT PANEL ASS'Y.....	171
9-3_CAR HEATER ASS'Y.....	175
TOOLS & ACCESSORIES	
10-1_TOOLS & ACCESSORIES.....	177
HOE ATTACHMENT	
11-1_HOE ATTACHMENT ASS'Y.....	179
11-2_BOOM SWING ASS'Y.....	183
11-3_HOE BUCKET ASS'Y.....	185
11-4A_HOE ATTACHMENT PIPING ASS'Y.....	187
BLADE ATTACHMENT	
12-1_BLADE ATTACHMENT ASS'Y.....	189
12-2_BLADE PIPING ASS'Y.....	191
OPTION SPECIFICATION	
15-1A_SPARE PORT PIPING ASS'Y.....	193
15-2_CANOPY ASS'Y.....	197
15-3A_NAME PLATE ASS'Y(FOR JAPANESE).....	199
15-5A_TRAVEL ALARM DEVICE.....	201
15-6_LIGHT ASS'Y.....	203



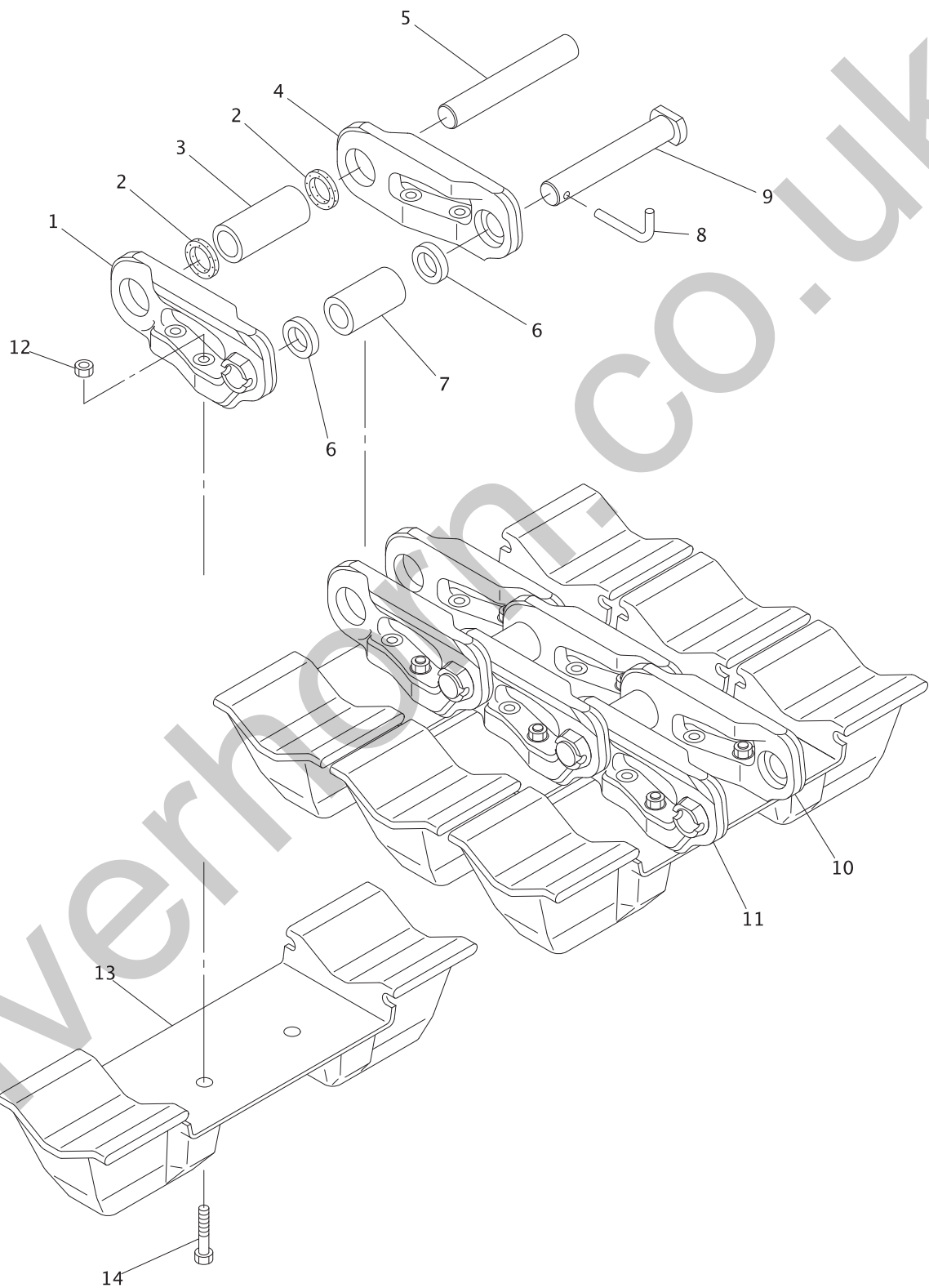
80VX-010100-1-1

KEY No.	SU P.	PART No.	DESCRIPTION	Q'TY	CHAN	SERIAL No.	REMARKS
0	×	**** ** *	Lower Machine Ass'y	1		WK002001-	
1		0653 920 UA	*Shoe, Rubber Crawler	2		WK002001-	
1-1	#	0653 924 UA	*Shoe Ass'y, Crawler (Steel)	2		WK002001-	Sh. No. 1-2
1-2	#	F300 338 00	*Shoe, Crawler (Link Chain)	2		WK002001-	Sh. No. 1-2[A]
2	△	D200 155 00	*Frame, Lower	1		WK002001-	
3		4460 756 00	*Cover	1		WK002001-	
4		0517 080 12	*Bolt, Treatment (W/L.W, F.W)	2		WK002001-	M8X12
5		0690 201 09	*Plug	12		WK002001-	
6		4461 749 00	*Cover, Under	1		WK002001-	
7		0518 100 20	*Bolt, Treatment (W/L.W, F.W)	4		WK002001-	M10X20 P=1.25
8		4550 519 00	*Seal	M		WK002001-	L=190
9		4458 918 00	*Cover (R.H.)	1		WK002001-	
10		D455 872 00	*Cover (R.H.)	1		WK002001-	
11		D455 871 00	*Cover (L.H.)	1		WK002001-	
12		4458 919 00	*Cover (L.H.)	1		WK002001-	
13		0555 160 70	*Bolt, Treatment	2		WK002001-	M16X70
14	#	0651 912 UA	*Roller Ass'y, Upper	2		WK002001-	Sh. No. 1-6
15		0555 160 40	*Bolt, Treatment	24		WK002001-	M16X40
16		0595 160 00	*Washer, Treatment	24		WK002001-	M16
17		0781 149 UA	*Motor Ass'y, Travel	2		WK002001- WK004000	
17	#	0781 345 UA	*Motor Ass'y, Travel	2	×	WK004001-	Sh. No. 5-1A
18		4234 512 00	*Sprocket, Drive	2		WK002001- WK004000	
18		D234 015 00	*Sprocket, Drive	2	×	WK004001-	
19		0595 200 00	*Washer, Treatment	20		WK002001-	M20
20		0555 200 30	*Bolt, Treatment	20		WK002001-	M20X30
21		0457 140 40	*Bolt, Treatment (W/Flange)	24		WK002001- WK004000	M14X40
21		0457 140 40	*Bolt, Treatment (W/Flange)	28		WK004001-	M14X40
22	#	0653 993 UA	*Roller Ass'y, Lower	10		WK002001-	Sh. No. 1-5
23		0590 160 00	*Washer, Lock	2		WK002001-	M16
24		D007 059 00	*Shim	20		WK002001-	t=12.0
25		4475 591 00	*Guide, Shoe (R.H.)	2		WK002001-	
26		4475 590 00	*Guide, Shoe (L.H.)	2		WK002001-	
27		0595 120 00	*Washer, Treatment	12		WK002001-	M12
28		0555 120 35	*Bolt, Treatment	12		WK002001-	M12X35
29		0518 100 20	*Bolt, Treatment (W/L.W, F.W)	10		WK002001-***	M10X20 P=1.25
29		0480 100 20	*Bolt, Treatment (W/Flange)	10	○	***-	M10X20 P=1.25



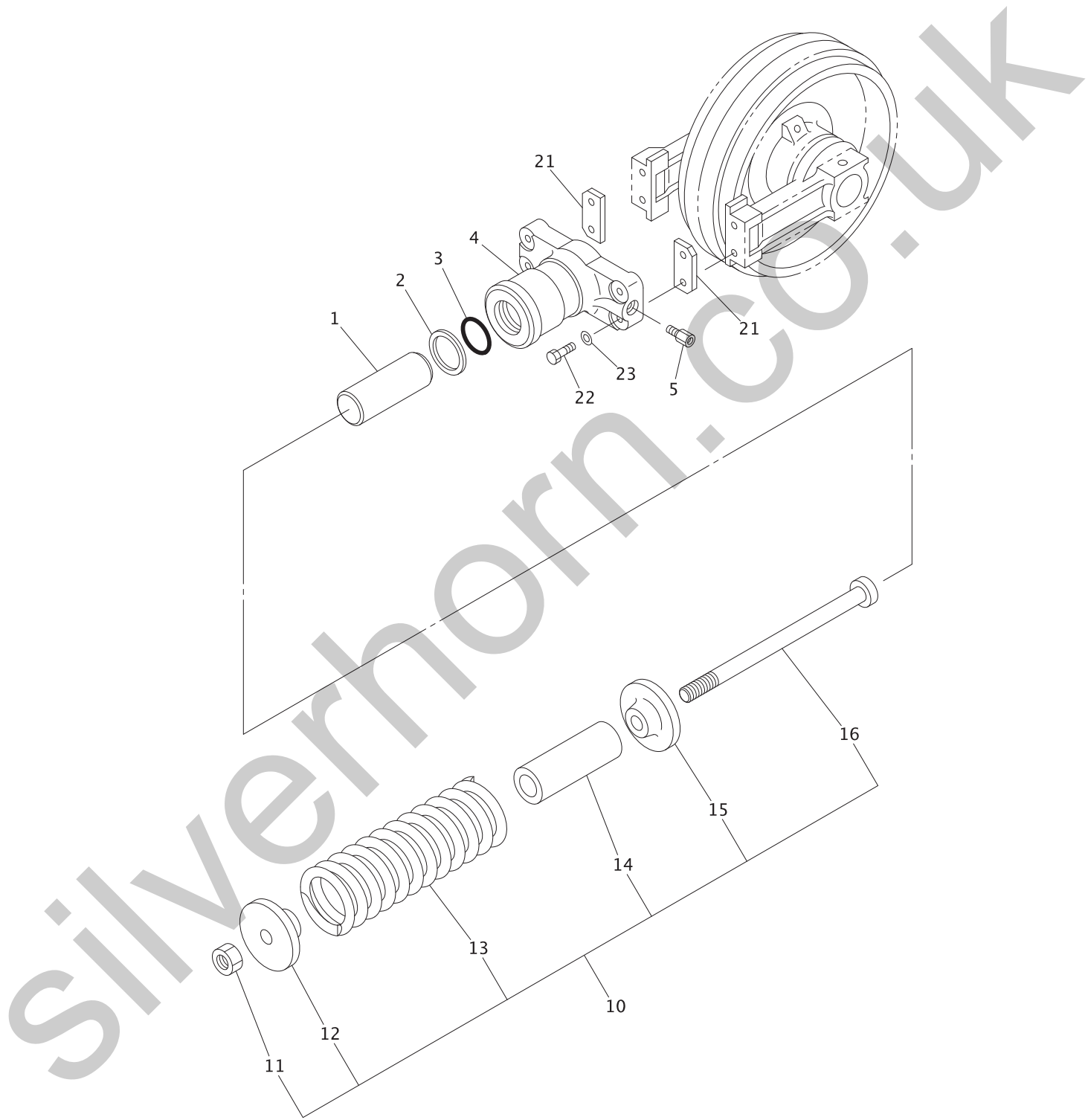
08-80V0-010200-1-0

KEY No.	SU P.	PART No.	DESCRIPTION	Q'TY	CHAN	SERIAL No.	REMARKS
0		0653 924 UA	Shoe Ass'y, Crawler	2		WK002001-	L=450
0-1		0653 924 99	*Link Ass'y	1		WK002001-	
1		0653 924 04	**Link, Master (L.H.)	1		WK002001-	
2		0653 924 11	**Seal	82		WK002001-	
3		0653 924 05	**Bushing, Track	41		WK002001-	
4		0653 924 03	**Link, Master (R.H.)	1		WK002001-	
5		0653 946 06	**Pin, Track	41		WK002001-	
6		0653 924 09	**Collar, Master	2		WK002001-	
7		0653 924 07	**Bushing, Master	1		WK002001-	
8		0653 924 10	**Pin, Lock	1		WK002001-	
9		0653 924 08	**Pin, Master	1		WK002001-	
10		0653 924 02	**Link, Track (L.H.)	41		WK002001-	
11		0653 924 01	**Link, Track (R.H.)	41		WK002001-	
12		0653 924 12	*Nut, Shoe	168		WK002001-	
13		0653 924 13	*Plate, Shoe	42		WK002001-	L=450
14		0653 924 14	*Bolt, Shoe	168		WK002001-	



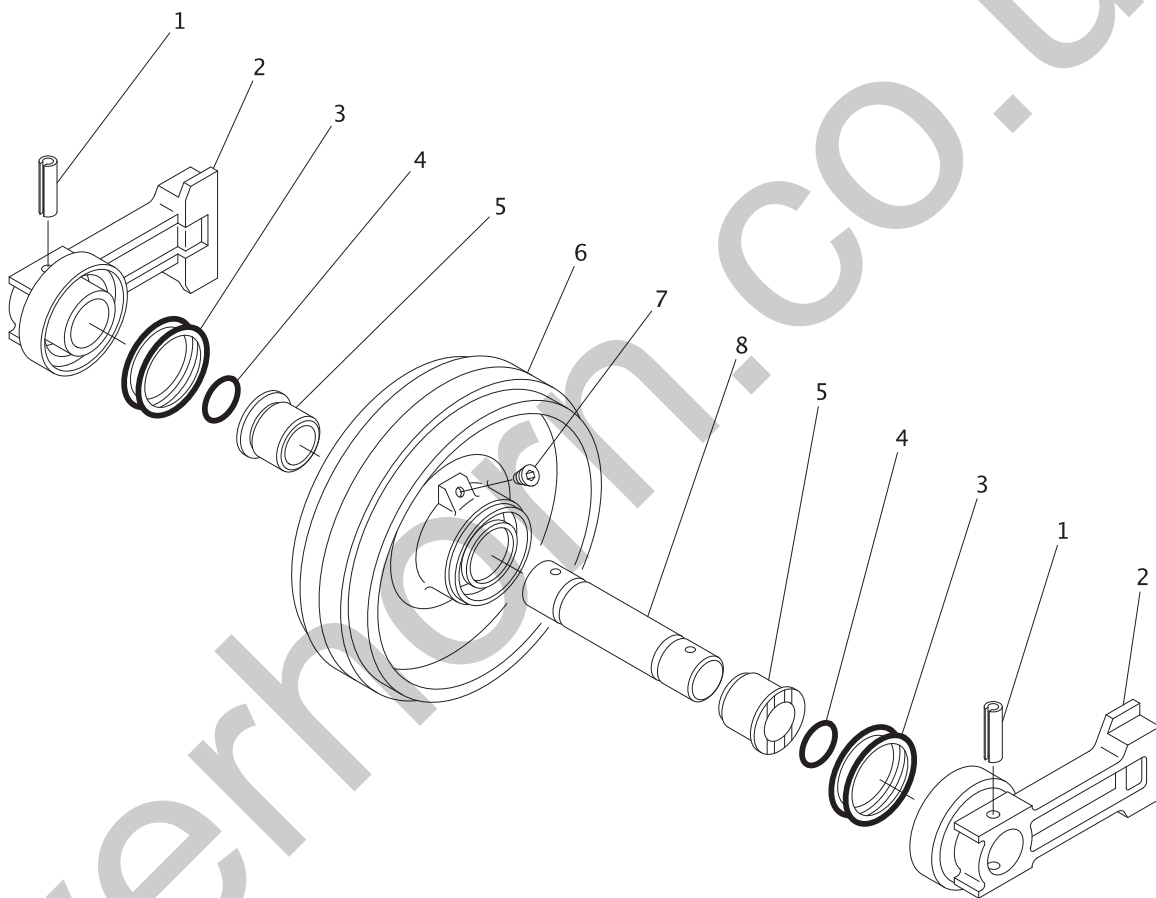
08-80V0-01020A-1-0

KEY No.	SU P.	PART No.	DESCRIPTION	Q'TY	CHAN	SERIAL No.	REMARKS
0	×	F300 338 00	Shoe Ass'y, Crawler	2		WK002001-	
0-1		0653 924 99	*Link Ass'y	1		WK002001-	
1		0653 924 04	**Link, Master (L.H.)	1		WK002001-	
2		0653 924 11	**Seal	82		WK002001-	
3		0653 924 05	**Bushing, Track	41		WK002001-	
4		0653 924 03	**Link, Master (R.H.)	1		WK002001-	
5		0653 946 06	**Pin, Track	41		WK002001-	
6		0653 924 09	**Collar	2		WK002001-	
7		0653 924 07	**Bushing, Master	1		WK002001-	
8		0653 924 10	**Pin, Lock	1		WK002001-	
9		0653 924 08	**Pin, Master	1		WK002001-	
10		0653 924 01	**Link, Track (R.H.)	41		WK002001-	
11		0653 924 02	**Link, Track (L.H.)	41		WK002001-	
12		0653 924 12	*Nut, Shoe	168		WK002001-	
13		0653 933 UA	*Plate, Shoe	42		WK002001-	
14		0408 201 01	*Bolt, Shoe	168		WK002001-	



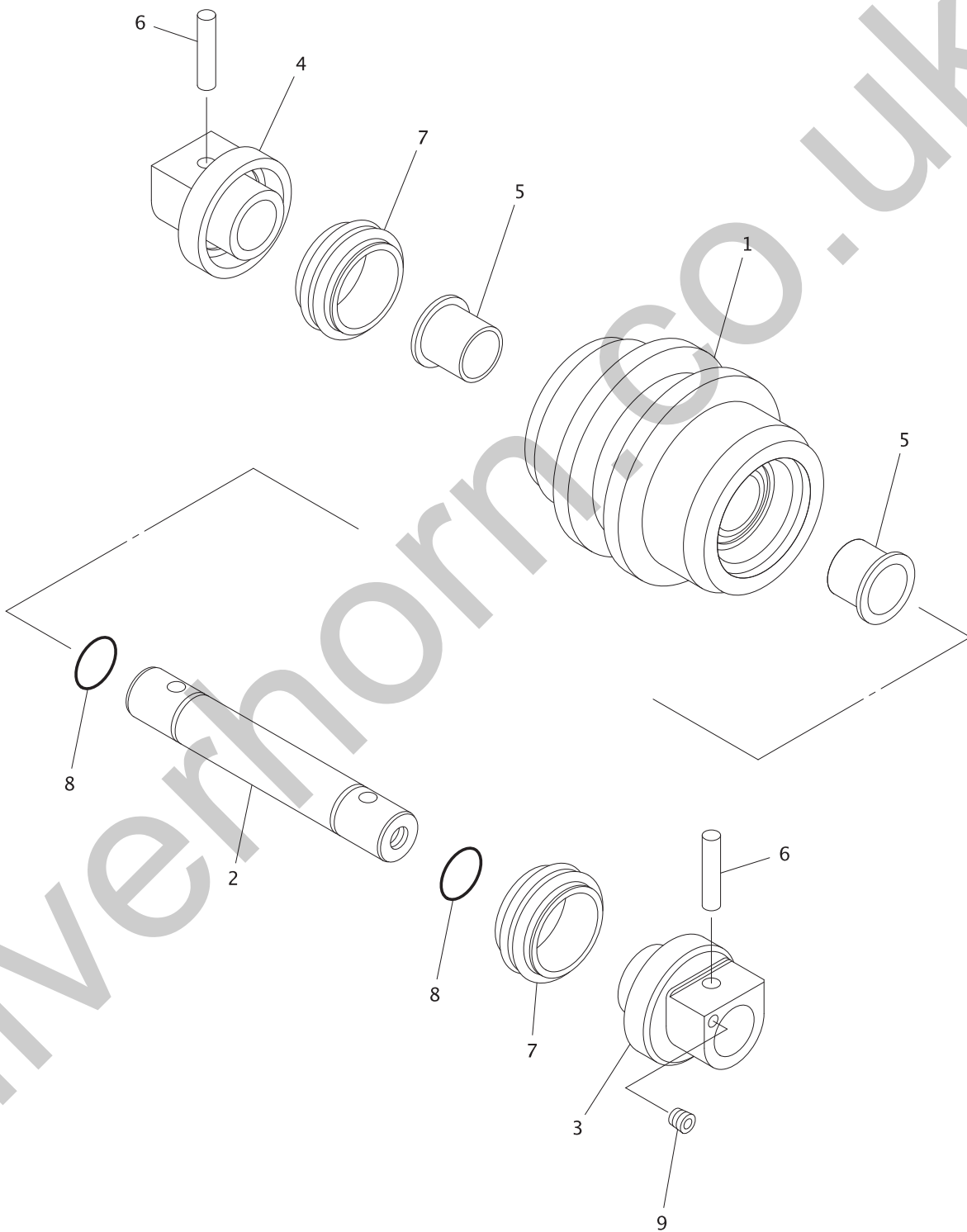
08-80V0-010300-1-1

KEY No.	SU P.	PART No.	DESCRIPTION	Q'TY	CHAN	SERIAL No.	REMARKS
0	×	5301 232 00	Adj. Device, Crawler Shoe	2		WK002001-	For Rubber Shoe
0-1	×	5301 233 00	Adj. Device, Crawler Shoe	2		WK002001-	For Steel Shoe
0-2		5301 232 02	*Cylinder Ass'y, Grease	1		WK002001-	
1		4515 506 00	**Piston	1		WK002001-	
2		0762 120 50	**Ring, Back-up	1		WK002001-	P50-T2
3		0760 710 50	**Ring, O	1		WK002001-	P50-90B
4		4514 549 00	**Cylinder, Grease	1		WK002001-	
5		0753 265 UA	**Valve, Check	1		WK002001-	
10		F300 684 01	*Unit Ass'y, Spring (For Rubber Shoe)	1		WK002001-	
10-1		F300 684 02	*Unit Ass'y, Spring (For Steel Shoe)	1		WK002001-	
11		0580 200 00	**Nut, Hex.	1		WK002001-	M20
12		4485 508 00	**Retainer, Spring	1		WK002001-	
13		4170 198 00	**Spring	1		WK002001-	
14		D040 219 01	**Spacer (For Rubber Shoe)	1		WK002001-	
15		4485 509 00	**Retainer, Spring	1		WK002001-	
16		4004 128 00	**Bolt, Adjust	1		WK002001-	
21		4401 631 00	*Plate (For Rubber Shoe)	2		WK002001-	
22		0514 120 60	*Bolt, Treatment (For Rubber Shoe)	4		WK002001-	M12X60 P=1.25
22-1		0514 120 50	*Bolt, Treatment (For Steel Shoe)	4		WK002001-	M12X50 P=1.25
23		0595 120 00	*Washer, Treatment	4		WK002001-	M12



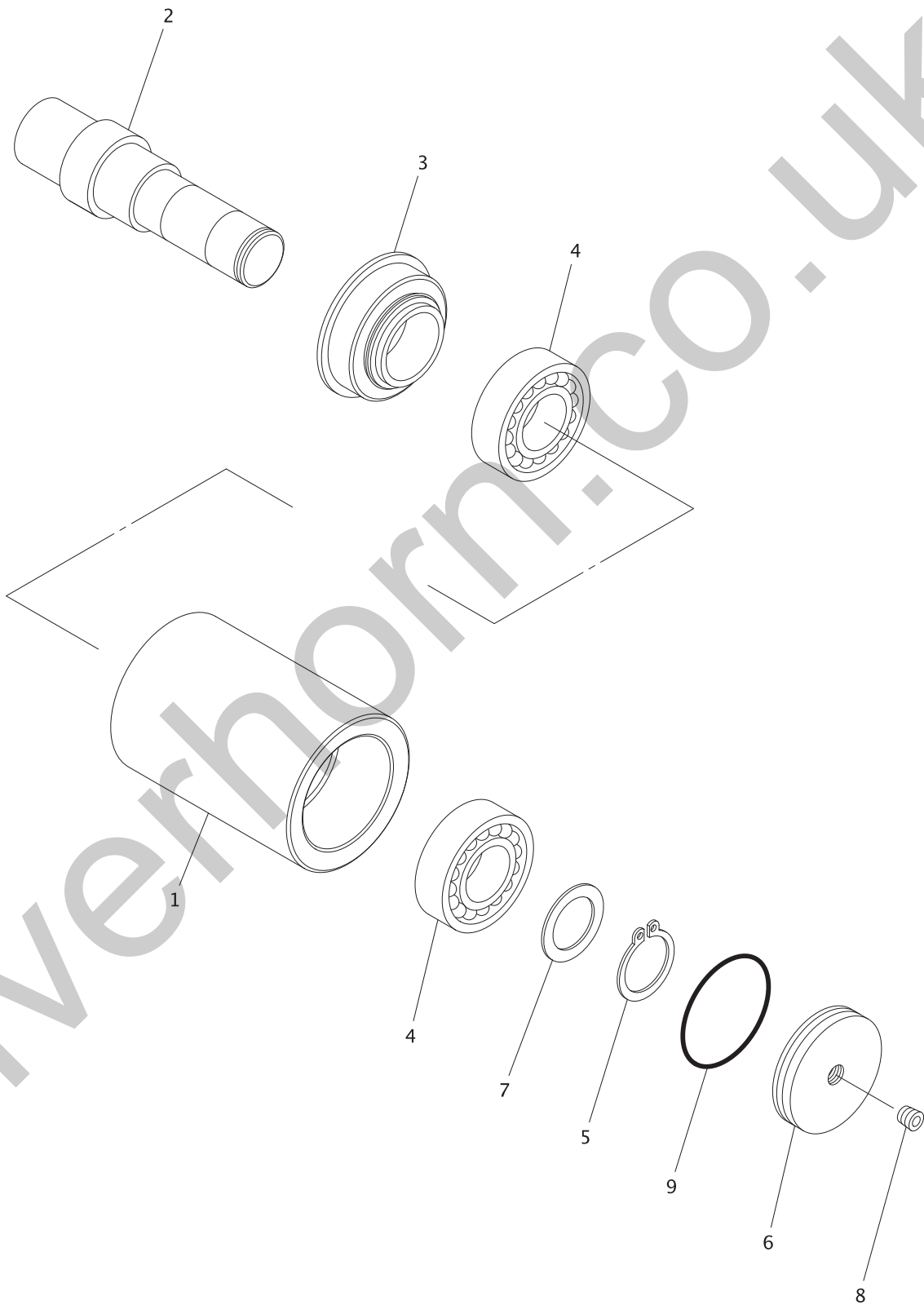
08-80V0-010400-1-0

KEY No.	SU P.	PART No.	DESCRIPTION	Q'TY	CHAN	SERIAL No.	REMARKS
0		F300 686 00	Idler Ass'y, Front (For Rubber Shoe)	2		WK002001-	
0-1		F300 687 00	Idler Ass'y, Front (For Steel Shoe)	2		WK002001-	
1		0494 651 75	*Pin, Spring	2		WK002001-	d=10X75
2		4420 525 00	*Block, Bearing	2		WK002001-	
3		0763 014 67	*Seal, Floating	2		WK002001-	
4		0760 715 45	*Ring, O	2		WK002001-	G45-90B
5		4047 035 02	*Bushing	2		WK002001-	
6		D236 021 00	*Idler, Front (For Rubber Shoe)	1		WK002001-	
6-1		D236 020 00	*Idler, Front (For Steel Shoe)	1		WK002001-	
7		0710 201 01	*Plug	2		WK002001-	ST-PA-1/8
8		4012 220 00	*Shaft	1		WK002001-	



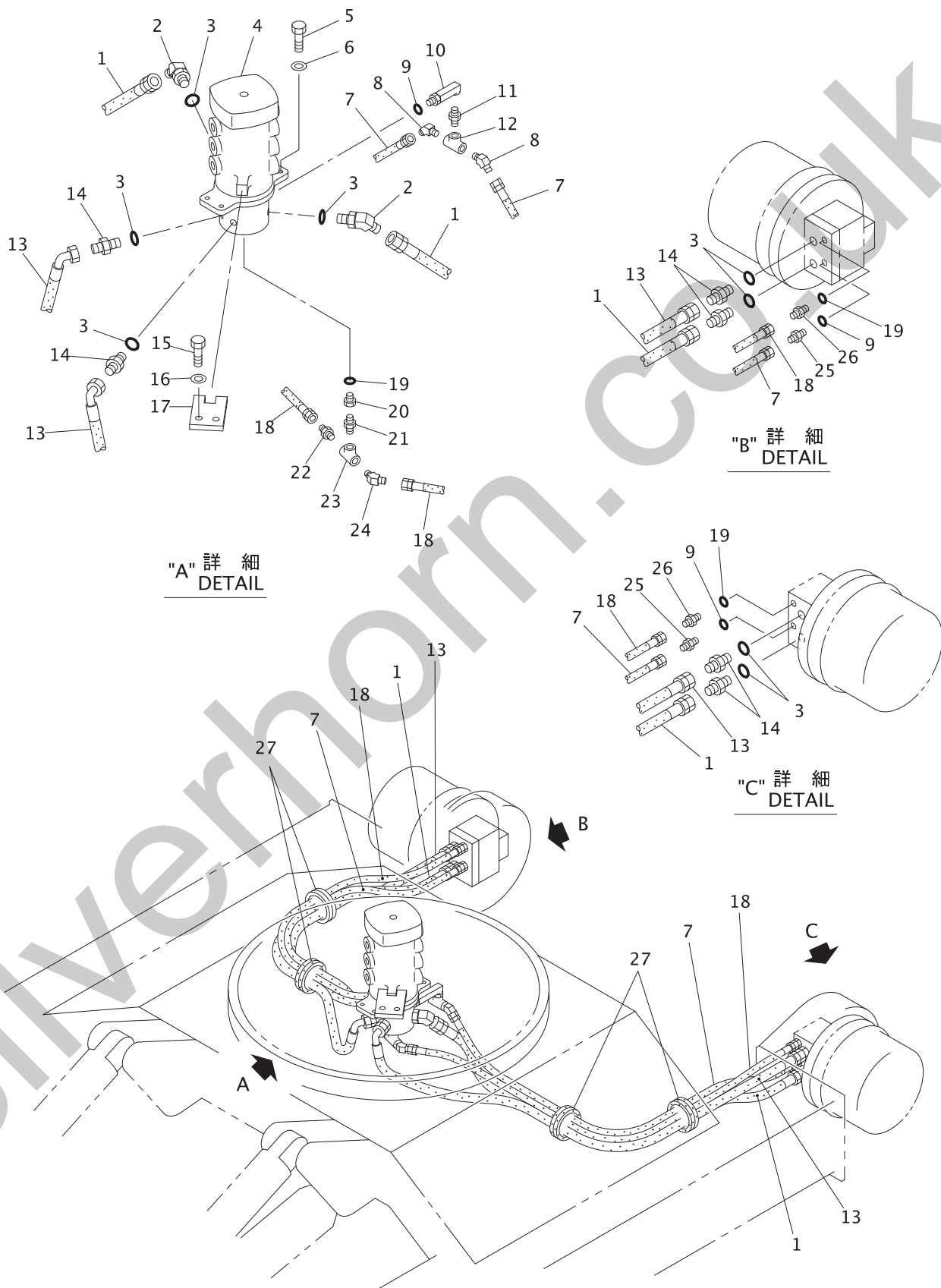
0653993UA-1-0

KEY No.	SU P.	PART No.	DESCRIPTION	Q'TY	CHAN	SERIAL No.	REMARKS
0		0653 993 UA	Roller Ass'y, Lower	10		WK002001-	
1		0653 993 01	*Roller	1		WK002001-	
2		0653 993 02	*Shaft	1		WK002001-	
3		0653 984 03	*Collar, Roller	1		WK002001-	
4		0653 993 04	*Collar Roller	1		WK002001-	
5		0653 984 05	*Bushing	2		WK002001-	
6		0653 984 06	*Pin	2		WK002001-	
7		0763 014 60	*Seal, Floating	2		WK002001-	
8		0760 715 35	*Ring, 0	2		WK002001-	G35-90B
9		0710 201 01	*Plug	1		WK002001-	



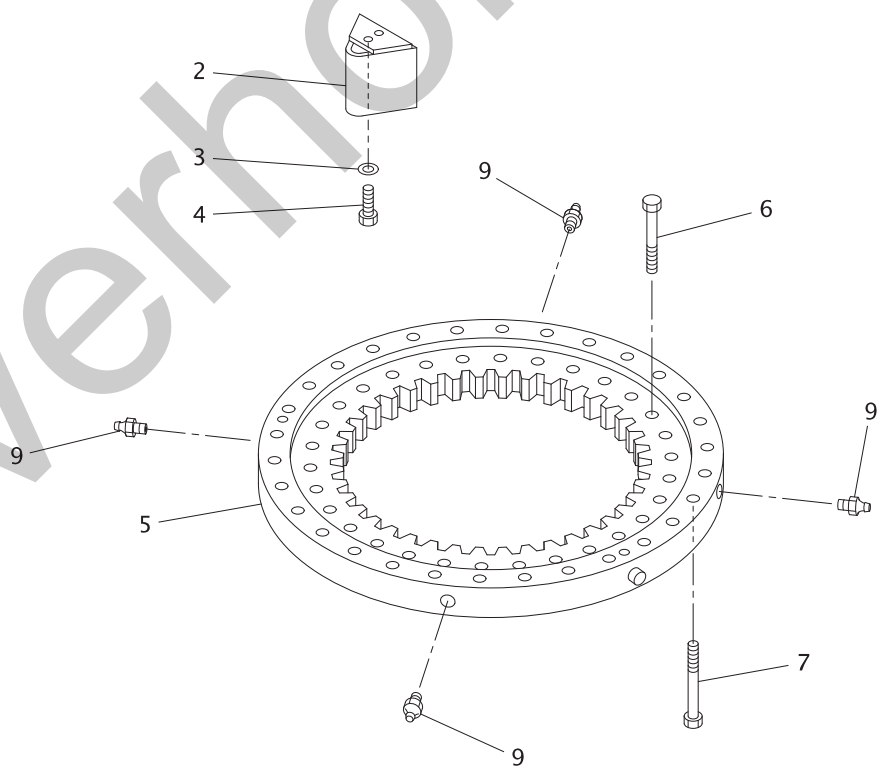
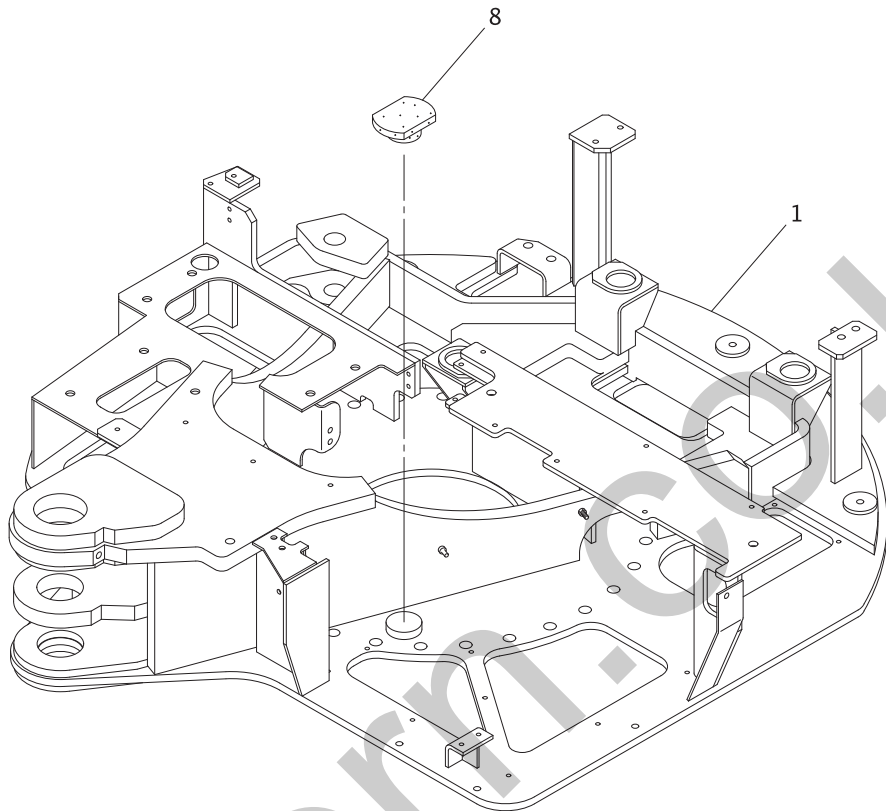
0651912UA-1-0

KEY No.	SU P.	PART No.	DESCRIPTION	Q'TY	CHAN	SERIAL No.	REMARKS
0		0651 912 UA	Roller Ass'y, Upper	2		WK002001-	
1		0651 912 01	*Roller	1		WK002001-	
2		0651 912 02	*Shaft, Roller	1		WK002001-	
3		0651 912 03	*Seal	1		WK002001-	
4		0630 620 60	*Bearing	2		WK002001-	#6206
5		0493 510 30	*Ring, Snap	1		WK002001-	d=30
6		0651 912 06	*Cover	1		WK002001-	
7		0651 912 07	*Spacer	1		WK002001-	
8		0651 912 08	*Plug	1		WK002001-	
9		0760 615 60	*Ring, 0	1		WK002001-	G60-90B



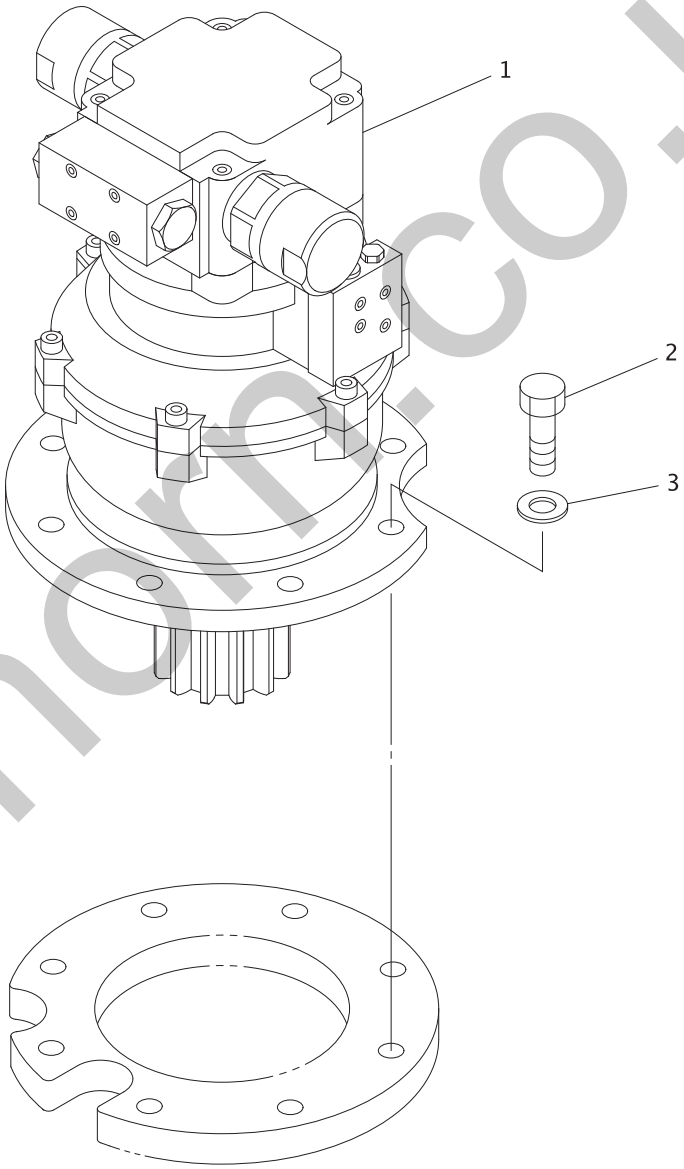
08-80V0-010700-1-0

KEY No.	SU P.	PART No.	DESCRIPTION	Q'TY	CHAN	SERIAL No.	REMARKS
0	×	F340 498 00	Piping Ass'y, Lower Travel	1		WK002001-	
1		4070 067 16	*Hose Ass'y	2		WK002001-	L=1400
2		0710 114 46	*Elbow, 45 Reducer	2		WK002001-	PF1/2XPF3/4
3		0760 710 19	*Ring, 0	8		WK002001-	P18-90B
4	#	0713 440 UA	*Joint Ass'y, Rotary	1		WK002001-	Sh. No. 5-3
5		0514 100 30	*Bolt, Treatment	4		WK002001-	M10X30 P=1.25
6		0595 100 00	*Washer, Treatment	4		WK002001-	M10
7		4070 012 26	*Hose Ass'y	2		WK002001-	L=1400
8		0712 310 40	*Elbow, 45	2		WK002001-	
9		0760 710 12	*Ring, 0	3		WK002001-	P11-90B
10		0719 805 UA	*Elbow	1		WK002001-	
11		0710 601 02	*Nipple	1		WK002001-	
12		0710 701 02	*Tee	1		WK002001-	
13		4070 478 09	*Hose Ass'y	2		WK002001-	L=1480
14		0713 700 95	*Adapter	6		WK002001-	
15		4004 271 01	*Bolt, Special	2		WK002001-	M12X30
16		0595 120 00	*Washer, Treatment	2		WK002001-	M12
17		4260 724 00	*Stay	1		WK002001-	
18		4070 015 38	*Hose Ass'y	2		WK002001-	L=1400
19		0760 710 16	*Ring, 0	3		WK002001-	P14-90B
20		0711 403 03	*Adapter	1		WK002001-	
21		0710 600 04	*Nipple	1		WK002001-	
22		0712 310 31	*Adapter	1		WK002001-	
23		0710 701 03	*Tee	1		WK002001-	
24		0712 310 41	*Elbow, 45	1		WK002001-	
25		0713 700 70	*Adapter	2		WK002001-	
26		0713 700 03	*Adapter	2		WK002001-	
27		4580 730 00	*Pad	4		WK002001-	



80VX2-020100-1-1

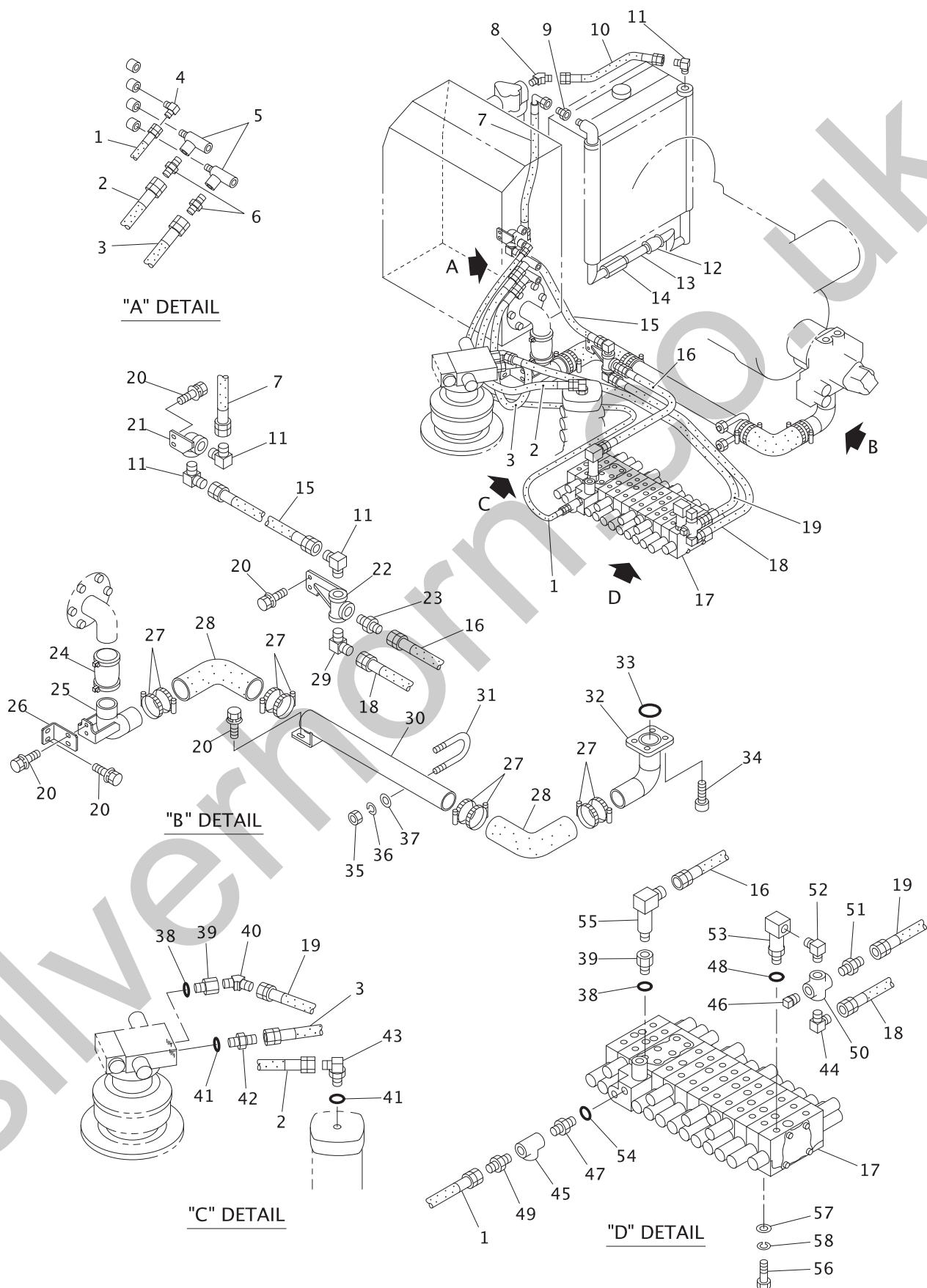
KEY No.	SU P.	PART No.	DESCRIPTION	Q'TY	CHAN	SERIAL No.	REMARKS
0	×	F311 246 00	Frame Ass'y, Swing	1		WK002001-	
0-1	×	F320 093 00	Bearing Ass'y, Swing	1		WK002001-	
0-2	×	F347 032 00	Piping Ass'y, Grease	1		WK002001-	
1	△	D204 289 00	*Frame, Swing	1		WK002001-	
2		4428 048 00	*Bracket	1		WK002001-	
3		0595 160 00	*Washer, Treatment	2		WK002001-	M16
4		0558 160 35	*Bolt, Treatment	2		WK002001-	M16X35 P=1.5
5		0605 421 UA	*Bearing, Swing	1		WK002001-	
6		0558 160 90	*Bolt, Treatment	30		WK002001-	M16X90 P=1.5
7		0558 160 80	*Bolt, Treatment	30		WK002001-	M16X80 P=1.5
8		0690 200 98	*Cap	1		WK002001-	
9		0728 111 15	*Nipple, Grease	4		WK002001-	PT1/8



08-80V0-030100-1-0

KEY No.	SU P.	PART No.	DESCRIPTION	Q'TY	CHAN	SERIAL No.	REMARKS
0	×	F320 095 00	Swing Drive Device	1		WK002001-	
1	#	0781 166 UA	*Motor Ass'y, Swing	1		WK002001-	Sh. No. 5-2
2		0558 160 50	*Bolt, Treatment	8		WK002001-	M16X50 P=1.5
3		0595 160 00	*Washer, Treatment	8		WK002001-	M16

Silverhorn.CO.UK



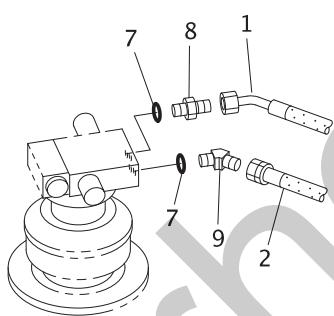
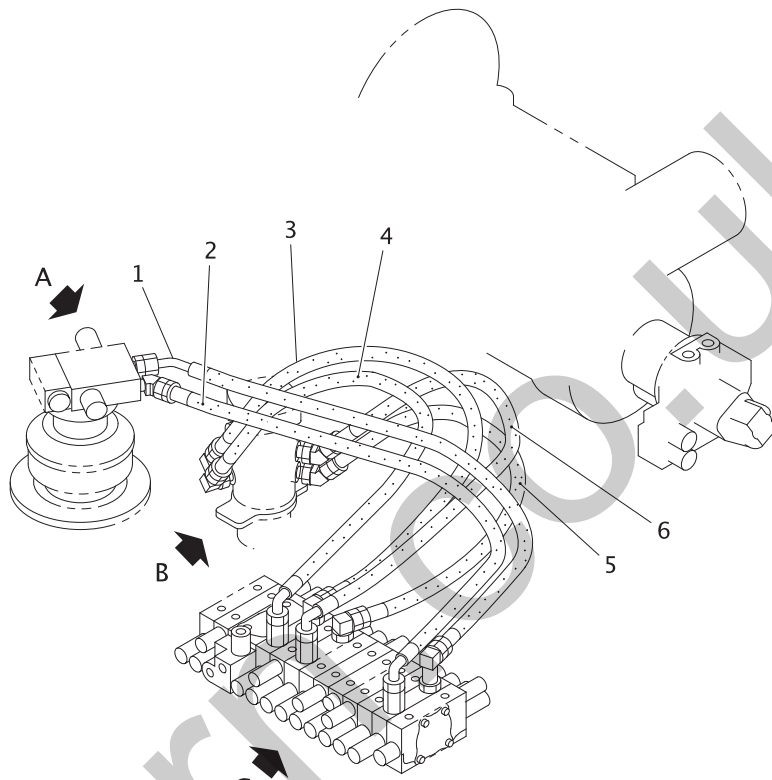
80VX-0401A0-1-0

KEY No.	SU P.	PART No.	DESCRIPTION	Q'TY	CHAN	SERIAL No.	REMARKS
0	×	F342 330 00	Piping Ass'y, Return & Suction	1		WK004001-	
1		4070 548 61	*Hose Ass'y	1		WK004001-	L=1700
2		4070 015 06	*Hose Ass'y	1		WK004001-	L=600
3		4070 015 12	*Hose Ass'y	1		WK004001-	L=310
4		0712 310 50	*Elbow	1		WK004001-	
5		0710 708 03	*Tee	2		WK004001-	
6		0712 310 31	*Adapter	2		WK004001-	
7		4070 634 05	*Hose Ass'y	1		WK004001-	L=520
8		0712 310 45	*Elbow	1		WK004001-	
9		0712 310 15	*Adapter	1		WK004001-	
10		4070 026 34	*Hose Ass'y	1		WK004001-	L=480
11		0712 310 55	*Elbow	4		WK004001-	
12		0668 524 55	*Joint, Pipe	1		WK004001-	
13		0668 524 54	*Nipple, Pipe	1		WK004001-	
14		0753 047 UA	*Valve, Check	1		WK004001-	
15		4070 026 11	*Hose Ass'y	1		WK004001-	L=650
16		D070 119 12	*Hose Ass'y	1		WK004001-	L=970
17	#	0783 974 UA	*Valve Ass'y, Control	1		WK004001-	Sh. No. 5-4A
18		D070 119 08	*Hose Ass'y	1		WK004001-	L=1300
19		4070 754 04	*Hose Ass'y	1		WK004001-	L=1370
20		0518 100 25	*Bolt, Treatment (W/L.W, F.W)	10		WK004001-	M10X25 P=1.25
21		D060 129 00	*Connector	1		WK004001-	
22		D060 128 00	*Connector	1		WK004001-	
23		4060 080 21	*Connector	1		WK004001-	
24		0713 300 31	*Joint, Pipe	1		WK004001-	
25		D285 960 00	*Tube	1		WK004001-	
26		D414 142 00	*Bracket	1		WK004001-	
27		0690 078 12	*Clamp, Hose	8		WK004001-	
28		D070 105 00	*Hose	2		WK004001-	
29		0712 320 16	*Elbow, Reducer	1		WK004001-	PF1XPT1-1/4
30		D285 314 00	*Tube	1		WK004001-	
31		4003 003 00	*Bolt, U	1		WK004001-	
32		D285 959 00	*Tube	1		WK004001-	
33		0760 312 32	*Ring, O	1		WK004001-	232-90B
34		0562 120 30	*Bolt, Socket Head	4		WK004001-	M12X30
35		0580 120 00	*Nut, Hex.	2		WK004001-	M12
36		0590 120 00	*Washer, Lock	2		WK004001-	M12
37		0593 120 00	*Washer, Flat	2		WK004001-	M12
38		0760 710 19	*Ring, O	2		WK004001-	P18-90B
39		D060 093 00	*Bush, Reducer	2		WK004001-	PF1/2XPT3/4
40		0712 310 43	*Elbow, 45	2		WK004001-	
41		0760 710 16	*Ring, O	2		WK004001-	P14-90B
42		0713 700 03	*Adapter	1		WK004001-	
43		0710 122 02	*Elbow	1		WK004001-	

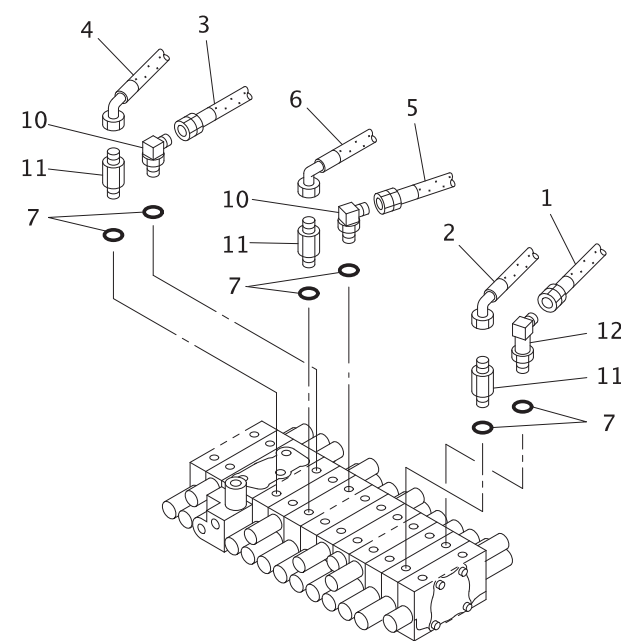
KEY No.	SU P.	PART No.	DESCRIPTION	Q'TY	CHAN	SERIAL No.	REMARKS
44		0712 320 15	*Elbow, Reducer	1		WK004001-	PT3/4XPF1
45		0710 701 02	*Tee	1		WK004001-	
46		0710 207 06	*Plug	1		WK004001-	
47		4072 627 01	*Connector	1		WK004001-	
48		0760 710 24	*Ring, 0	1		WK004001-	P22.4-90B
49		0712 310 30	*Adapter	1		WK004001-	
50		0710 801 05	*Cross	1		WK004001-	
51		0712 310 33	*Adapter	1		WK004001-	
52		0710 118 08	*Elbow	1		WK004001-	
53		4072 646 00	*Elbow	1		WK004001-	
54		0760 710 12	*Ring, 0	1		WK004001-	P11-90B
55		0712 318 13	*Elbow	1		WK004001-	
56		0513 100 20	*Bolt, Treatment (W/L.W, F.W)	3		WK004001-	M10X20
57		0593 100 00	*Washer, Flat	3		WK004001-	M10
58		0590 100 00	*Washer, Lock	3		WK004001-	M10

[Memo]

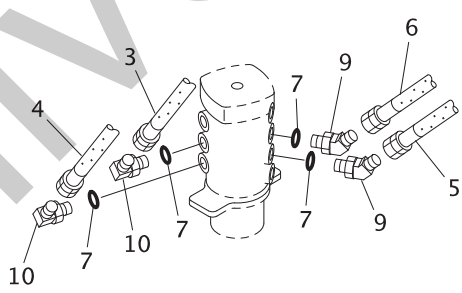
Silverhorn.CO.UK



"A" DETAIL



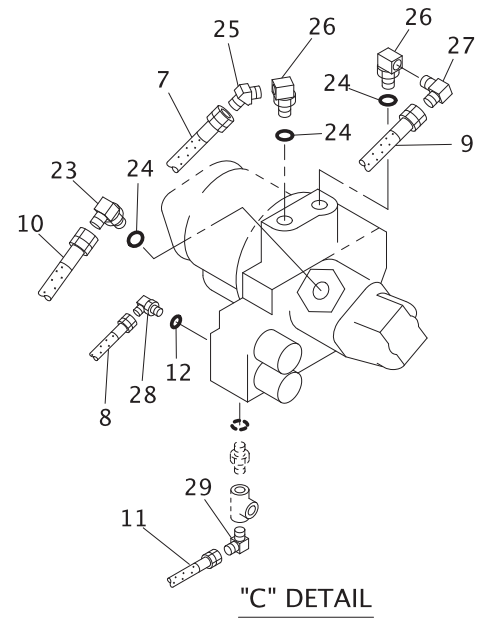
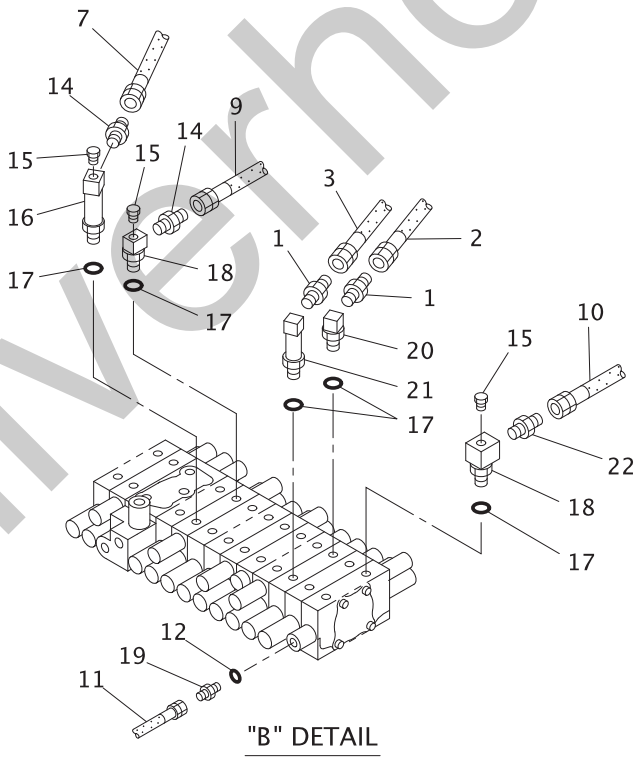
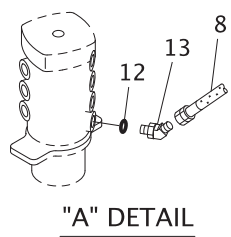
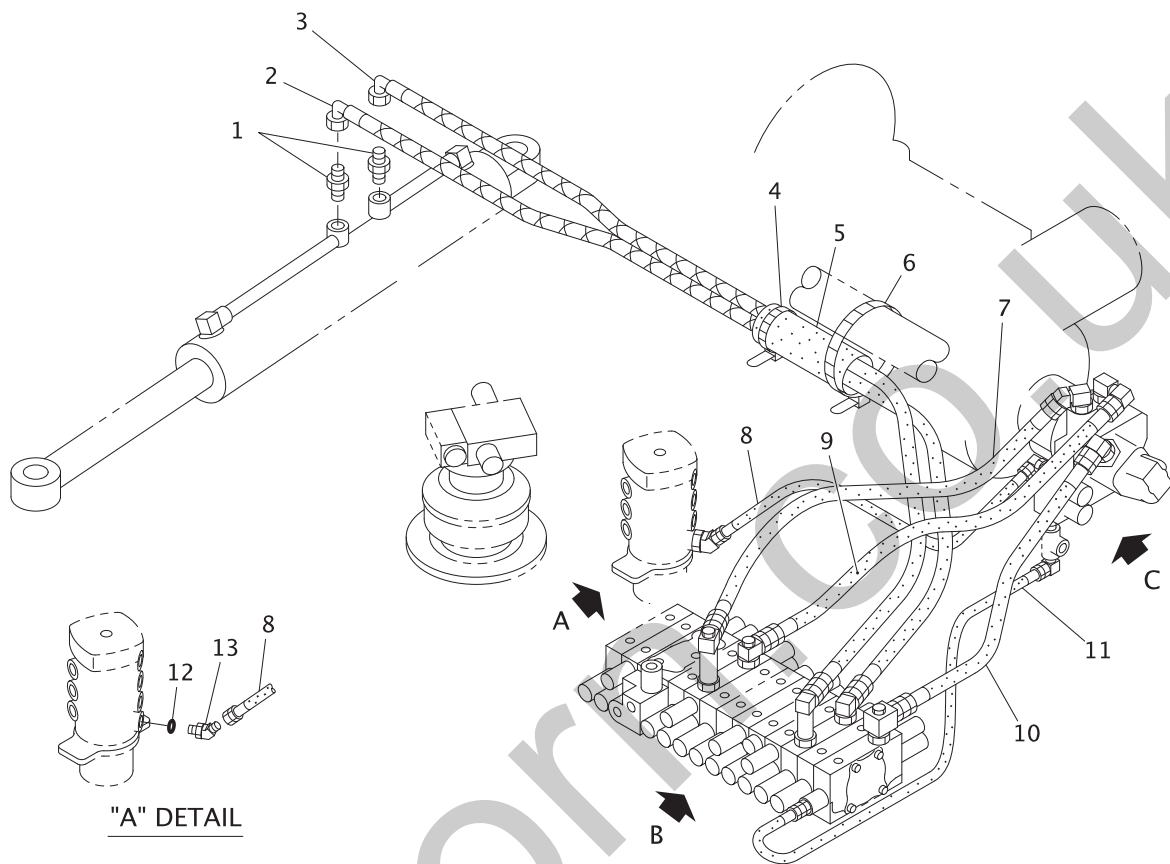
"C" DETAIL



"B" DETAIL

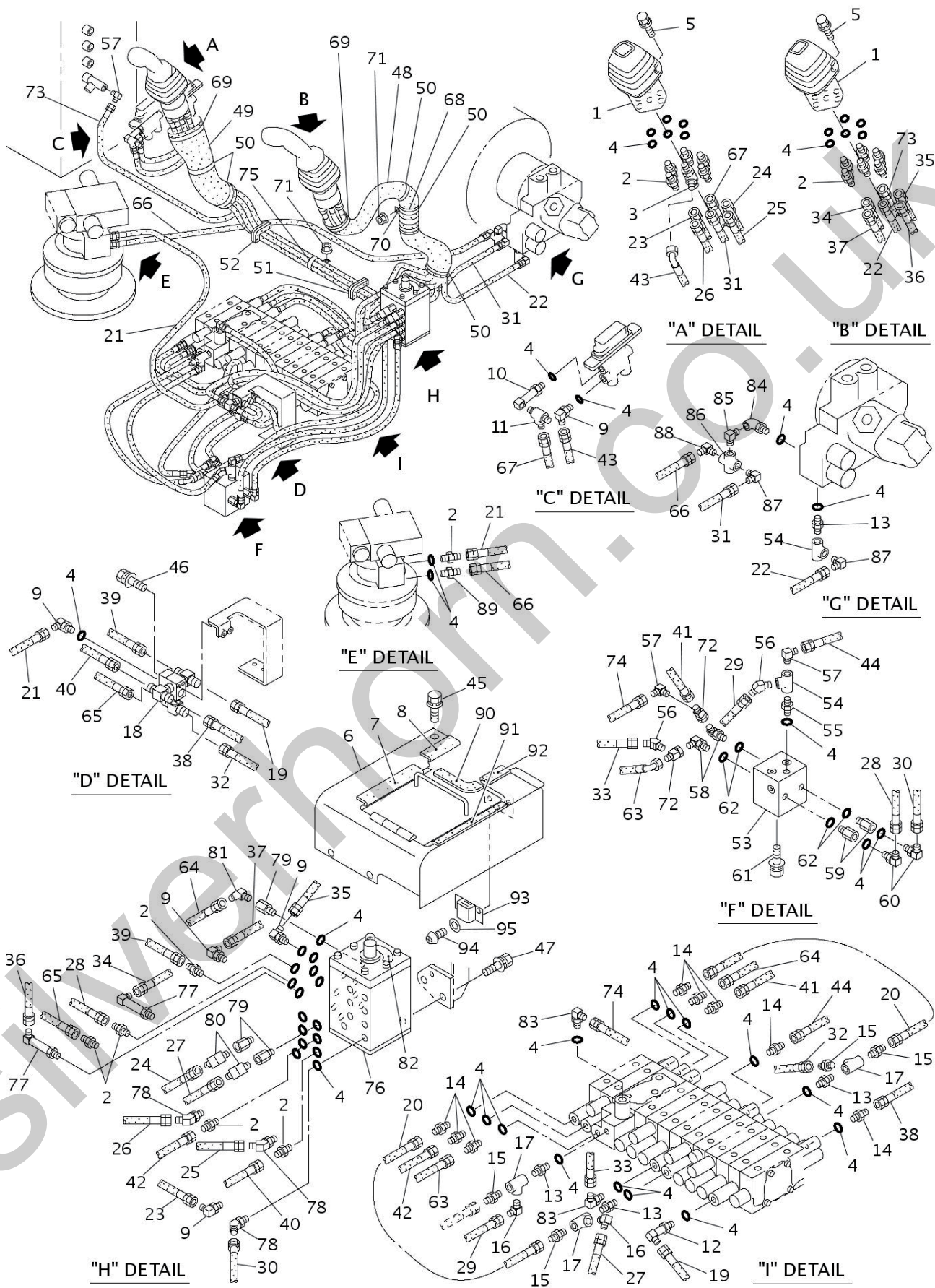
80VX-0402A0-1-0

KEY No.	SU P.	PART No.	DESCRIPTION	Q'TY	CHAN	SERIAL No.	REMARKS
0	×	F342 330 00	Piping Ass'y, Swing & Travel	1		WK004001-	
1		D070 048 02	*Hose Ass'y	1		WK004001-	L=1300
2		4070 496 28	*Hose Ass'y	1		WK004001-	L=1250
3		4070 071 18	*Hose Ass'y	1		WK004001-	L=770
4		4070 496 31	*Hose Ass'y	1		WK004001-	L=900
5		4070 071 21	*Hose Ass'y	1		WK004001-	L=940
6		4070 496 32	*Hose Ass'y	1		WK004001-	L=970
7		0760 710 19	*Ring, 0	12		WK004001-	P18-90B
8		0713 700 04	*Adapter	1		WK004001-	
9		0710 114 44	*Elbow, 45	3		WK004001-	
10		0710 113 44	*Elbow	4		WK004001-	
11		4072 971 00	*Connector	3		WK004001-	
12		4072 769 00	*Elbow	1		WK004001-	



80VX-0403A0-1-0

KEY No.	SU P.	PART No.	DESCRIPTION	Q'TY	CHAN	SERIAL No.	REMARKS
0	×	F342 330 00	Piping Ass'y, Pump Discharge & Boom Swing	1		WK004001-	
1		0712 310 31	*Adapter	4		WK004001-	
2		D070 109 01	*Hose Ass'y	1		WK004001-	L=1760
3		D070 109 02	*Hose Ass'y	1		WK004001-	L=1810
4		0820 067 05	*Band, Cable	1		WK004001-	
5		4070 504 01	*Cover, Hose	1		WK004001-	L=200
6		0820 067 10	*Band, Cable	1		WK004001-	
7		4070 067 12	*Hose Ass'y	1		WK004001-	L=920
8		4070 548 75	*Hose Ass'y	1		WK004001-	L=720
9		4070 067 12	*Hose Ass'y	1		WK004001-	L=920
10		4070 476 28	*Hose Ass'y	1		WK004001-	L=750
11		4070 548 06	*Hose Ass'y	1		WK004001-	L=1200
12		0760 710 12	*Ring, 0	3		WK004001-	P11-90B
13		0710 121 00	*Elbow, 45	1		WK004001-	
14		0712 311 37	*Adapter, Reducer	2		WK004001-	PF3/4XPT1/2
15		4077 061 00	*Plug	3		WK004001-	
16		4060 054 00	*Elbow	1		WK004001-	
17		0760 710 19	*Ring, 0	5		WK004001-	P18-90B
18		4060 053 00	*Elbow	2		WK004001-	
19		0710 113 22	*Elbow	1		WK004001-	
20		0710 100 95	*Elbow, Reducer	1		WK004001-	PF1/2XPT3/8
21		0710 100 96	*Elbow, Reducer	1		WK004001-	PF1/2XPT3/8
22		0712 310 32	*Adapter	1		WK004001-	
23		0710 117 10	*Elbow, Reducer	1		WK004001-	PF3/4XPF1/2
24		0760 710 24	*Ring, 0	3		WK004001-	P22.4-90B
25		0712 310 43	*Elbow, 45	1		WK004001-	
26		D060 077 00	*Elbow	2		WK004001-	
27		0712 310 53	*Elbow	1		WK004001-	
28		0710 122 00	*Elbow	1		WK004001-	
29		0712 310 50	*Elbow	1		WK004001-	

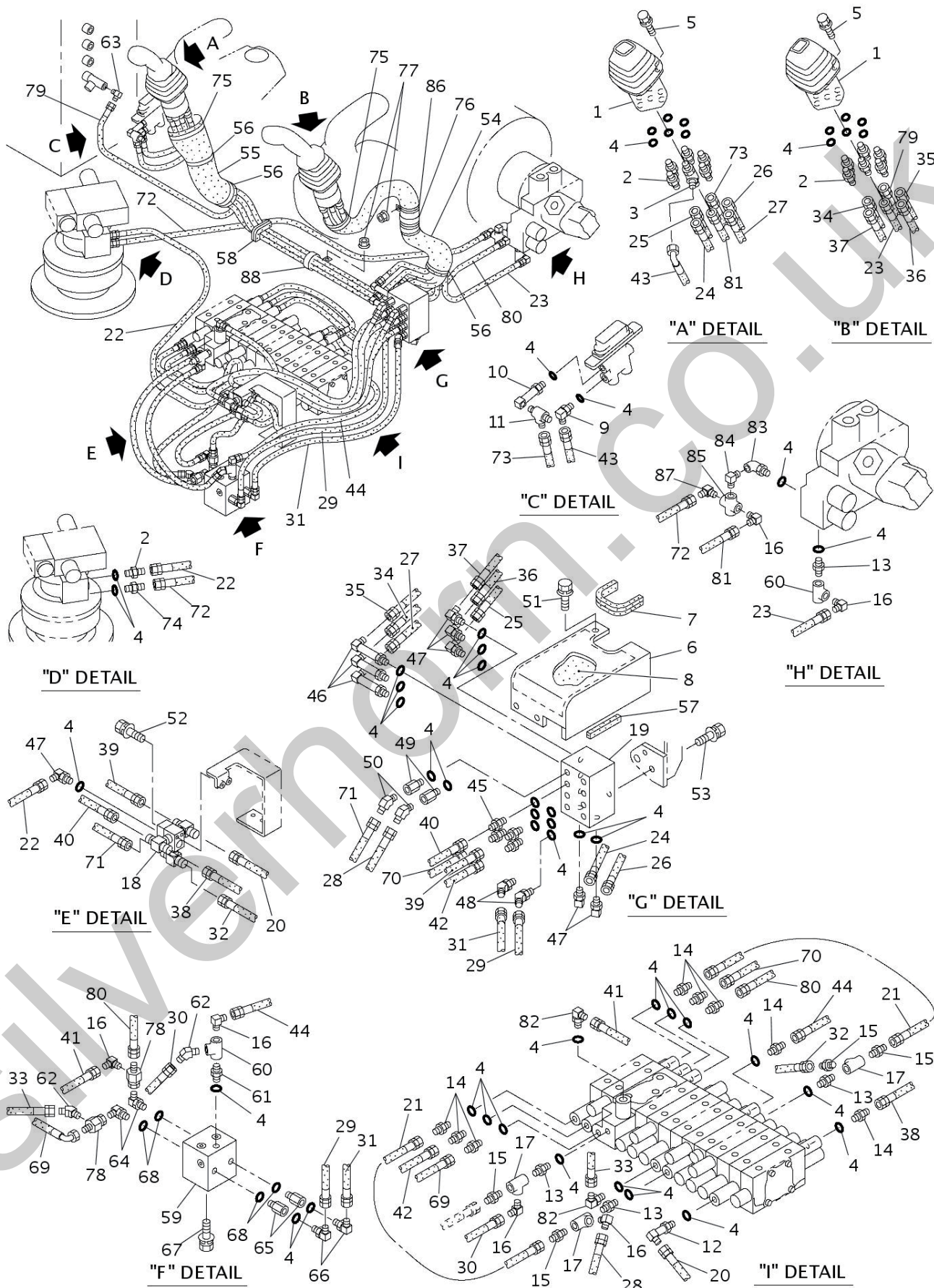


80VX-0404AA-1-0

KEY No.	SU P.	PART No.	DESCRIPTION	Q'TY	CHAN	SERIAL No.	REMARKS
0	×	F342 336 00	Pipng Ass'y, Control	1		WK004001-	
1	#	0783 941 UA	*Valve Ass'y, Remote Control	2		WK004001-	Sh. No. 5-5A[B]
2		0713 700 70	*Adapter	17		WK004001-	
3		0710 713 09	*Tee	1		WK004001-	
4		0760 710 12	*Ring, O	52		WK004001-	P11-90B
5		0517 060 25	*Bolt, Treatment (W/L.W, F.W)	6		WK004001-	M6X25
6		D413 922 00	*Bracket	1		WK004001-	
7		4550 519 00	*Seal, Trim	M		WK004001-	L=110
8		4550 519 00	*Seal, Trim	M		WK004001-	L=60
9		0710 122 00	*Elbow	4		WK004001-	
10		0719 805 UA	*Elbow, Long	1		WK004001-	
11		0710 709 02	*Tee	1		WK004001-	
12		D060 028 00	*Elbow	1		WK004001-	
13		4072 627 01	*Connector	4		WK004001-	
14		0713 700 02	*Adapter	8		WK004001-	
15		0712 310 30	*Adapter	4		WK004001-	
16		0712 310 50	*Elbow	2		WK004001-	
17		0710 701 02	*Tee	3		WK004001-	
18		0754 615 UA	*Valve Ass'y, Shuttle	1		WK004001-	
18-1		0754 615 03	**Tee	3		WK004001-	
18-2		0760 710 12	**Ring, O	3		WK004001-	P11-90B
19		4070 548 10	*Hose Ass'y	1		WK004001-	L=250
19-1	☆	4405 310 01	*Plate, Name (S1)	2		WK004001-	4405 310 00
20		4070 548 36	*Hose Ass'y	2		WK004001-	L=550
21		4070 548 03	*Hose Ass'y	1		WK004001-	L=1600
22		4070 548 19	*Hose Ass'y	1		WK004001-	L=1250
22-1	☆	4405 311 02	*Plate, Name (LP)	2		WK004001-	4405 311 00
23		4070 548 11	*Hose Ass'y	1		WK004001-	L=1300
23-1	☆	4405 307 03	*Plate, Name (R1)	2		WK004001-	4405 307 00
24		4070 548 11	*Hose Ass'y	1		WK004001-	L=1300
24-1	☆	4405 308 03	*Plate, Name (R2)	2		WK004001-	4405 308 00
25		4070 548 11	*Hose Ass'y	1		WK004001-	L=1300
25-1	☆	4405 307 04	*Plate, Name (R3)	2		WK004001-	4405 307 00
26		4070 548 11	*Hose Ass'y	1		WK004001-	L=1300
26-1	☆	4405 308 04	*Plate, Name (R4)	2		WK004001-	4405 308 00
27		4070 548 15	*Hose Ass'y	1		WK004001-	L=900
27-1	☆	4405 309 01	*Plate, Name (A1)	2		WK004001-	4405 309 00
28		4070 548 15	*Hose Ass'y	1		WK004001-	L=900
28-1	☆	4405 307 02	*Plate, Name (B2)	2		WK004001-	4405 307 00
29		4070 548 27	*Hose Ass'y	1		WK004001-	L=600
30		4070 548 27	*Hose Ass'y	1		WK004001-	L=600
30-1	☆	4405 307 01	*Plate, Name (B1)	2		WK004001-	4405 307 00
31		4070 548 32	*Hose Ass'y	1		WK004001-	L=1750
31-1	☆	4405 311 01	*Plate, Name (RP)	2		WK004001-	4405 311 00

KEY No.	SU P.	PART No.	DESCRIPTION	Q'TY	CHAN	SERIAL No.	REMARKS
32		4070 548 18	*Hose Ass'y	1		WK004001-	L=1050
32-1	☆	4405 309 02	*Plate, Name (A2)	2		WK004001-	4405 309 00
33		4070 548 26	*Hose Ass'y	1		WK004001-	L=500
33-1	☆	4405 307 02	*Plate, Name (B2)	2		WK004001-	4405 307 00
34		4070 548 14	*Hose Ass'y	1		WK004001-	L=800
34-1	☆	4405 309 03	*Plate, Name (L1)	2		WK004001-	4405 309 00
35		4070 548 14	*Hose Ass'y	1		WK004001-	L=800
35-1	☆	4405 310 03	*Plate, Name (L2)	2		WK004001-	4405 310 00
36		4070 548 14	*Hose Ass'y	1		WK004001-	L=800
36-1	☆	4405 309 04	*Plate, Name (L3)	2		WK004001-	4405 309 00
37		4070 548 14	*Hose Ass'y	1		WK004001-	L=800
37-1	☆	4405 310 04	*Plate, Name (L4)	2		WK004001-	4405 310 00
38		4070 548 14	*Hose Ass'y	1		WK004001-	L=800
38-1	☆	4405 310 02	*Plate, Name (S2)	2		WK004001-	4405 310 00
39		4070 548 46	*Hose Ass'y	1		WK004001-	L=760
39-1	☆	4405 310 01	*Plate, Name (S1)	2		WK004001-	4405 310 00
40		4070 548 46	*Hose Ass'y	1		WK004001-	L=760
40-1	☆	4405 310 02	*Plate, Name (S2)	2		WK004001-	4405 310 00
41		4070 548 19	*Hose Ass'y	1		WK004001-	L=1250
41-1	☆	4405 307 01	*Plate, Name (B1)	2		WK004001-	4405 307 00
42		4070 548 19	*Hose Ass'y	1		WK004001-	L=1250
42-1	☆	4405 308 01	*Plate, Name (C1)	2		WK004001-	4405 308 00
43		4070 551 15	*Hose Ass'y	1		WK004001-	L=350
43-1	☆	D407 818 03	*Plate, Name (BP)	2		WK004001-	D407 818 00
44		4070 548 16	*Hose Ass'y	1		WK004001-	L=850
45		0517 080 16	*Bolt, Treatment (W/L.W, F.W)	3		WK004001-	M8X16
46		0517 060 60	*Bolt, Treatment (W/L.W, F.W)	2		WK004001-	M6X60
47		0519 120 25	*Bolt, Treatment (W/L.W)	2		WK004001-	M12X25
48		D070 142 06	*Hose	1		WK004001-	L=500
49		D070 521 02	*Hose	1		WK004001-	L=400
50		0820 067 09	*Band, Cable	7		WK004001-	
51		4550 519 00	*Seal	M		WK004001-	L=70
52		4550 519 00	*Seal	M		WK004001-	L=110
53	#	0783 664 UA	*Valve Ass'y, Shock-less	1		WK004001-	Sh. No. 5-16
54		0710 701 02	*Tee	2		WK004001-	
55		4072 627 01	*Connector	1		WK004001-	
56		0712 310 40	*Elbow, 45	2		WK004001-	
57		0712 310 50	*Elbow	3		WK004001-	
58		0710 113 32	*Elbow, Reducer	2		WK004001-	PF3/8XPF1/4
59		D060 131 00	*Connector, Reducer	2		WK004001-	PF3/8XPF1/4
60		0712 325 01	*Elbow	2		WK004001-	
61		0517 100 35	*Bolt, Treatment (W/L.W, F.W)	2		WK004001-	M10X35
62		0760 710 16	*Ring, 0	4		WK004001-	P14-90B
63		4070 551 19	*Hose Ass'y	1		WK004001-	L=600
63-1	☆	4405 307 02	*Plate, Name (B2)	2		WK004001-	4405 307 00

KEY No.	SU P.	PART No.	DESCRIPTION	Q'TY	CHAN	SERIAL No.	REMARKS
64		4070 548 34	*Hose Ass'y	1		WK004001-	L=750
64-1	☆	4405 308 02	*Plate, Name (C2)	2		WK004001-	4405 308 00
65		4070 548 34	*Hose Ass'y	1		WK004001-	L=750
65-1	☆	4405 309 02	*Plate, Name (A2)	2		WK004001-	4405 309 00
66		4070 044 43	*Hose Ass'y	1		WK004001-	L=1100
67		4070 548 79	*Hose Ass'y	1		WK004001-	L=330
67-1	☆	4405 312 01	*Plate, Name (RT)	2		WK004001-	4405 312 00
68		4580 016 00	*Pad	1		WK004001-	
69		0820 067 10	*Band, Cable	2		WK004001-	
70		4080 000 09	*Clamp	1		WK004001-	
71		0521 080 00	*Nut, Hex. (W/F.W)	2		WK004001-	M8
72		4072 930 01	*Connector	2		WK004001-	
73		4070 548 39	*Hose Ass'y	1		WK004001-	L=2000
73-1	☆	4405 312 02	*Plate, Name (LT)	2		WK004001-	4405 312 00
74		4070 548 57	*Hose Ass'y	1		WK004001-	L=450
74-1	☆	4405 307 01	*Plate, Name (B1)	2		WK004001-	4405 307 00
75		4080 000 12	*Clamp	1		WK004001-	
76	#	0783 637 UA	*Valve Ass'y, Multiple	1		WK004001-	Sh. No. 5-13
76-1	#	0783 640 UA	*Valve Ass'y, Multiple (For A, B, G)	1		WK004001-	Sh. No. 5-13[A]
77		D060 028 00	*Connector	2		WK004001-	
78		0710 121 00	*Elbow, 45	3		WK004001-	
79		0713 704 02	*Adapter	3		WK004001-	
80		4060 277 00	*Elbow, 30	2		WK004001-	
81		0712 310 40	*Elbow, 45	1		WK004001-	
82		D405 447 00	*Plate, Name (For A-D)	1		WK004001-	
82-1		D405 518 00	*Plate, Name (For A, B, G)	1		WK004001-	
83		0710 122 00	*Elbow	1		WK004001-	
84		0719 804 UA	*Elbow	1		WK004001-	
85		0710 118 02	*Elbow	1		WK004001-	
86		0710 801 02	*Cross	1		WK004001-	
87		0712 310 50	*Elbow	2		WK004001-	
88		0712 311 51	*Elbow, Reducer	1		WK004001-	PF3/8XPF1/4
89		0713 700 93	*Connector, Reducer	1		WK004001-	PF3/8XPF1/4
90		4550 519 00	*Seal, Trim	M		WK004001-	L=70
91		4550 519 00	*Seal, Trim	M		WK004001-	L=145
92		4550 519 00	*Seal, Trim	M		WK004001-	L=50
93		0690 201 78	*Magnet	1		WK004001-	
94		0565 030 10	*Screw, Pan Head	2		WK004001-	M3X10
95		0593 030 00	*Washer, Flat	2		WK004001-	M3

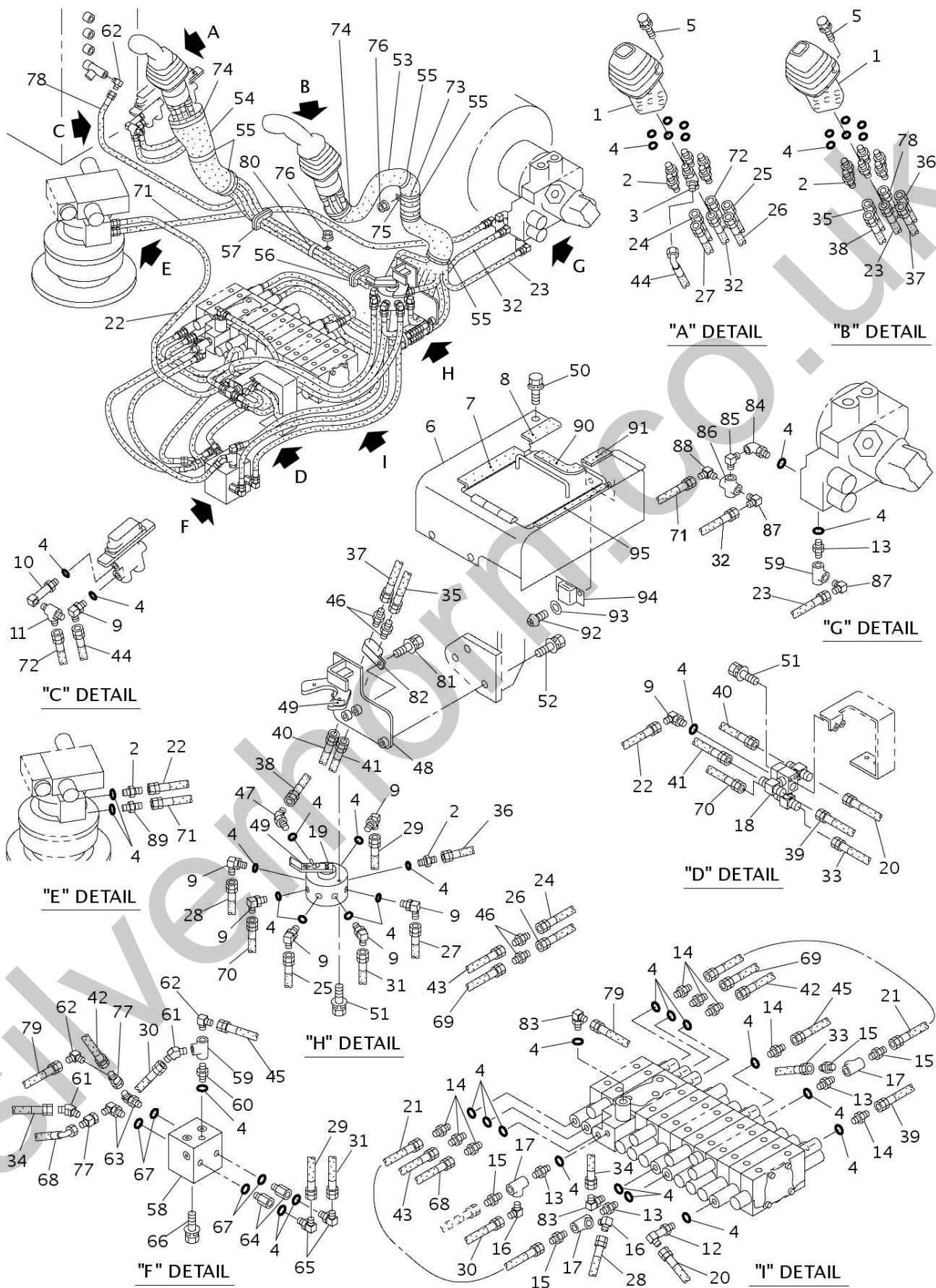


80VX-0404AB-1-0

KEY No.	SU P.	PART No.	DESCRIPTION	Q'TY	CHAN	SERIAL No.	REMARKS
0	×	F342 331 00	Pipng Ass'y, Control	1		WK004001-	
1	#	0783 941 UA	*Valve Ass'y, Remote Control	2		WK004001-	Sh. No. 5-5A[B]
2		0713 700 70	*Adapter	12		WK004001-	
3		0710 713 09	*Tee	1		WK004001-	
4		0760 710 12	*Ring, O	52		WK004001-	P11-90B
5		0517 060 25	*Bolt, Treatment (W/L.W, F.W)	6		WK004001-	M6X25
6		D413 921 00	*Bracket	1		WK004001-	
7		4550 519 00	*Seal, Trim	M		WK004001-	L=180
8		D467 556 00	*Panel, Sponge	1		WK004001-	
9		0710 122 00	*Elbow	1		WK004001-	
10		0719 805 UA	*Elbow, Long	1		WK004001-	
11		0710 709 02	*Tee	1		WK004001-	
12		D060 028 00	*Elbow	1		WK004001-	
13		4072 627 01	*Connector	4		WK004001-	
14		0713 700 02	*Adapter	8		WK004001-	
15		0712 310 30	*Adapter	4		WK004001-	
16		0712 310 50	*Elbow	6		WK004001-	
17		0710 701 02	*Tee	3		WK004001-	
18		0754 615 UA	*Valve Ass'y, Shuttle	1		WK004001-	
18-1		0754 615 03	**Tee	3		WK004001-	
18-2		0760 710 12	**Ring, O	3		WK004001-	P11-90B
19		D065 013 00	*Manifold	1		WK004001-	
20		4070 548 10	*Hose Ass'y	1		WK004001-	L=250
20-1	☆	4405 310 01	*Plate, Name (S1)	2		WK004001-	4405 310 00
21		4070 548 36	*Hose Ass'y	2		WK004001-	L=550
22		4070 548 03	*Hose Ass'y	1		WK004001-	L=1600
23		4070 548 19	*Hose Ass'y	1		WK004001-	L=1250
23-1	☆	4405 311 02	*Plate, Name (LP)	2		WK004001-	4405 311 00
24		4070 548 11	*Hose Ass'y	1		WK004001-	L=1300
24-1	☆	4405 308 04	*Plate, Name (R4)	2		WK004001-	4405 308 00
25		4070 548 11	*Hose Ass'y	1		WK004001-	L=1300
25-1	☆	4405 307 03	*Plate, Name (R1)	2		WK004001-	4405 307 00
26		4070 548 11	*Hose Ass'y	1		WK004001-	L=1300
26-1	☆	4405 308 03	*Plate, Name (R2)	2		WK004001-	4405 308 00
27		4070 548 11	*Hose Ass'y	1		WK004001-	L=1300
27-1	☆	4405 307 04	*Plate, Name (R3)	2		WK004001-	4405 307 00
28		4070 548 15	*Hose Ass'y	1		WK004001-	L=900
28-1	☆	4405 309 01	*Plate, Name (A1)	2		WK004001-	4405 309 00
29		4070 548 15	*Hose Ass'y	1		WK004001-	L=900
29-1	☆	4405 307 02	*Plate, Name (B2)	2		WK004001-	4405 307 00
30		4070 548 27	*Hose Ass'y	1		WK004001-	L=600
31		4070 548 27	*Hose Ass'y	1		WK004001-	L=600
31-1	☆	4405 307 01	*Plate, Name (B1)	2		WK004001-	4405 307 00
32		4070 548 18	*Hose Ass'y	1		WK004001-	L=1050

KEY No.	SU P.	PART No.	DESCRIPTION	Q'TY	CHAN	SERIAL No.	REMARKS
32-1	☆	4405 309 02	*Plate, Name (A2)	2		WK004001-	4405 309 00
33		4070 548 26	*Hose Ass'y	1		WK004001-	L=500
33-1	☆	4405 307 02	*Plate, Name (B2)	2		WK004001-	4405 307 00
34		4070 548 14	*Hose Ass'y	1		WK004001-	L=800
34-1	☆	4405 309 03	*Plate, Name (L1)	2		WK004001-	4405 309 00
35		4070 548 14	*Hose Ass'y	1		WK004001-	L=800
35-1	☆	4405 310 03	*Plate, Name (L2)	2		WK004001-	4405 310 00
36		4070 548 14	*Hose Ass'y	1		WK004001-	L=800
36-1	☆	4405 309 04	*Plate, Name (L3)	2		WK004001-	4405 309 00
37		4070 548 14	*Hose Ass'y	1		WK004001-	L=800
37-1	☆	4405 310 04	*Plate, Name (L4)	2		WK004001-	4405 310 00
38		4070 548 14	*Hose Ass'y	1		WK004001-	L=800
38-1	☆	4405 310 02	*Plate, Name (S2)	2		WK004001-	4405 310 00
39		4070 548 46	*Hose Ass'y	1		WK004001-	L=760
39-1	☆	4405 310 01	*Plate, Name (S1)	2		WK004001-	4405 310 00
40		4070 548 46	*Hose Ass'y	1		WK004001-	L=760
40-1	☆	4405 310 02	*Plate, Name (S2)	2		WK004001-	4405 310 00
41		4070 548 57	*Hose Ass'y	1		WK004001-	L=450
41-1	☆	4405 307 01	*Plate, Name (B1)	2		WK004001-	4405 307 00
42		4070 548 19	*Hose Ass'y	1		WK004001-	L=1250
42-1	☆	4405 308 01	*Plate, Name (C1)	2		WK004001-	4405 308 00
43		4070 551 15	*Hose Ass'y	1		WK004001-	L=350
43-1	☆	D407 818 03	*Plate, Name (BP)	2		WK004001-	D407 818 00
44		4070 548 16	*Hose Ass'y	1		WK004001-	L=850
45		0713 700 70	*Adapter	4		WK004001-	
46		D060 028 00	*Elbow	3		WK004001-	
47		0710 122 00	*Elbow	6		WK004001-	
48		0710 121 00	*Elbow, 45	2		WK004001-	
49		0713 704 02	*Adapter	2		WK004001-	
50		4060 277 00	*Elbow, 30	2		WK004001-	
51		0517 080 16	*Bolt, Treatment (W/L.W, F.W)	3		WK004001-	M8X16
52		0517 060 60	*Bolt, Treatment (W/L.W, F.W)	2		WK004001-	M6X60
53		0520 100 20	*Bolt, Treatment (W/L.W)	2		WK004001-	M10X20 P=1.25
54		D070 142 06	*Hose	1		WK004001-	L=500
55		D070 521 02	*Hose	1		WK004001-	L=400
56		0820 067 09	*Band, Cable	7		WK004001-	
57		4550 519 00	*Seal	M		WK004001-	L=70
58		4550 519 00	*Seal	M		WK004001-	L=110
59	#	0783 664 UA	*Valve Ass'y, Shock-less	1		WK004001-	Sh. No. 5-16
60		0710 701 02	*Tee	2		WK004001-	
61		4072 627 01	*Connector	1		WK004001-	
62		0712 310 40	*Elbow, 45	2		WK004001-	
63		0712 312 50	*Elbow, Reducer	1		WK004001-	PF1/4XPT3/8
64		0710 113 32	*Elbow, Reducer	2		WK004001-	PF3/8XPF1/4

KEY No.	SU P.	PART No.	DESCRIPTION	Q'TY	CHAN	SERIAL No.	REMARKS
65		D060 131 00	*Connector, Reducer	2		WK004001-	PF3/8XPF1/4
66		0712 325 01	*Elbow	2		WK004001-	
67		0517 100 35	*Bolt, Treatment (W/L.W, F.W)	2		WK004001-	M10X35
68		0760 710 16	*Ring, O	4		WK004001-	P14-90B
69		4070 551 19	*Hose Ass'y	1		WK004001-	L=600
69-1	☆	4405 307 02	*Plate, Name (B2)	2		WK004001-	4405 307 00
70		4070 548 34	*Hose Ass'y	1		WK004001-	L=750
70-1	☆	4405 308 02	*Plate, Name (C2)	2		WK004001-	4405 308 00
71		4070 548 34	*Hose Ass'y	1		WK004001-	L=750
71-1	☆	4405 309 02	*Plate, Name (A2)	2		WK004001-	4405 309 00
72		4070 044 43	*Hose Ass'y	1		WK004001-	L=1100
73		4070 548 79	*Hose Ass'y	1		WK004001-	L=330
73-1	☆	4405 312 01	*Plate, Name (RT)	2		WK004001-	4405 312 00
74		0713 700 93	*Connector, Reducer	1		WK004001-	PF1/4XPF3/8
75		0820 067 10	*Band, Cable	2		WK004001-	
76		4080 000 09	*Clamp	1		WK004001-	
77		0521 080 00	*Nut, Hex..(W/F.W)	2		WK004001-	M8
78		4072 930 01	*Connector	2		WK004001-	
79		4070 548 39	*Hose Ass'y	1		WK004001-	L=2000
79-1	☆	4405 312 02	*Plate, Name (LT)	2		WK004001-	4405 312 00
80		4070 548 19	*Hose Ass'y	1		WK004001-	L=1250
80-1	☆	4405 307 01	*Plate, Name (B1)	2		WK004001-	4405 307 00
81		4070 548 32	*Hose Ass'y	1		WK004001-	L=1750
81-1	☆	4405 311 01	*Plate, Name (RP)	2		WK004001-	4405 311 00
82		0710 122 00	*Elbow	2		WK004001-	
83		0719 804 UA	*Elbow	1		WK004001-	
84		0710 118 02	*Elbow	1		WK004001-	
85		0710 801 02	*Cross	1		WK004001-	
86		4580 016 00	*Pad	1		WK004001-	
87		0712 311 51	*Elbow, Reducer	1		WK004001-	PT1/4XPF3/8
88		4080 000 12	*Clamp	1		WK004001-	

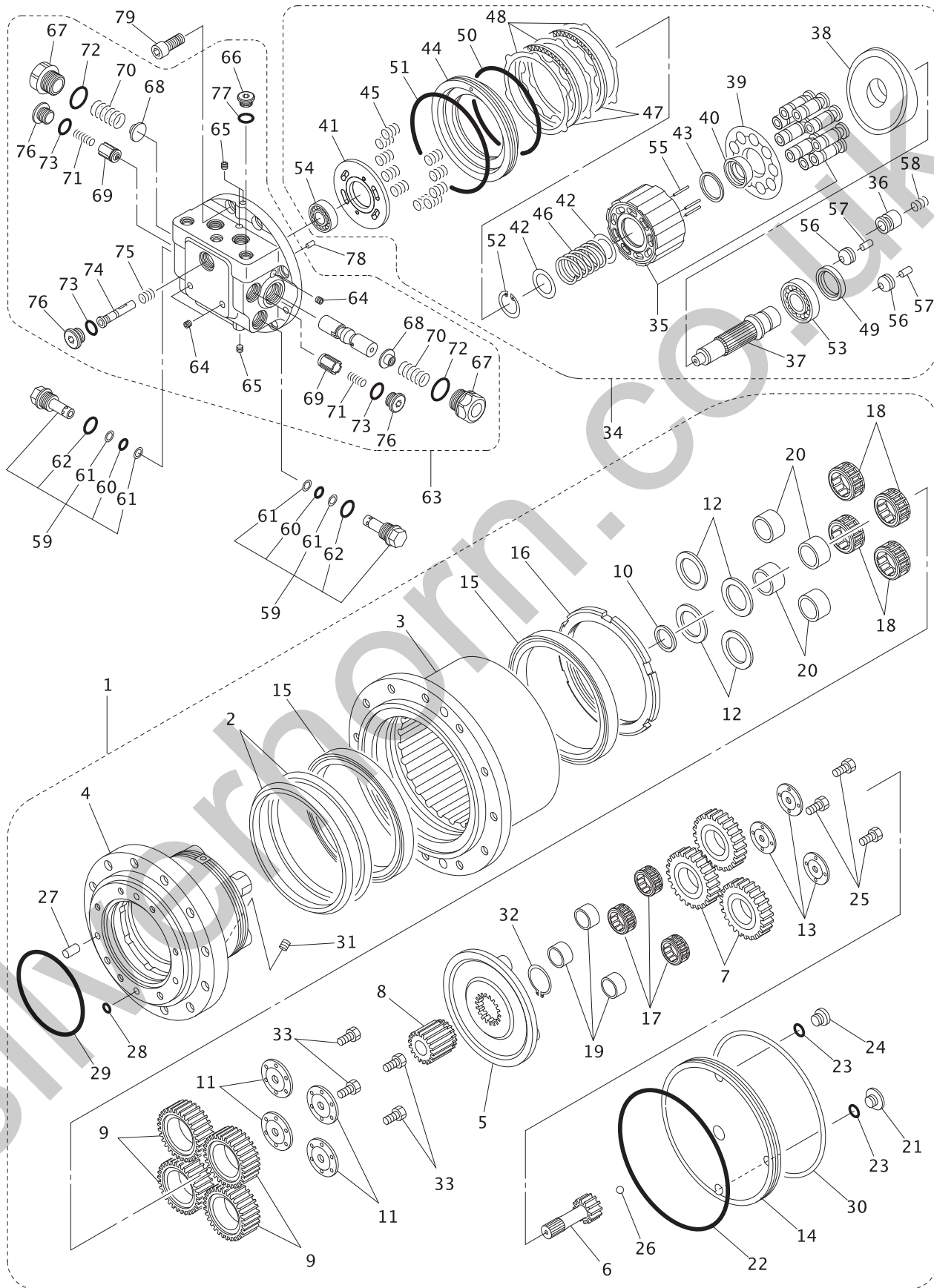


80VX-0404AC-1-0

KEY No.	SU P.	PART No.	DESCRIPTION	Q'TY	CHAN	SERIAL No.	REMARKS
0	×	F342 337 00	Pipng Ass'y, Control	1		WK004001-	
1	#	0783 941 UA	*Valve Ass'y, Remote Control	2		WK004001-	Sh. No. 5-5A[B]
2		0713 700 70	*Adapter	13		WK004001-	
3		0710 713 09	*Tee	1		WK004001-	
4		0760 710 12	*Ring, O	44		WK004001-	P11-90B
5		0517 060 25	*Bolt, Treatment (W/L.W, F.W)	6		WK004001-	M6X25
6		D413 922 00	*Bracket	1		WK004001-	
7		4550 519 00	*Seal, Trim	M		WK004001-	L=110
8		4550 519 00	*Seal, Trim	M		WK004001-	L=60
9		0710 122 00	*Elbow	8		WK004001-	
10		0719 805 UA	*Elbow, Long	1		WK004001-	
11		0710 709 02	*Tee	1		WK004001-	
12		D060 028 00	*Elbow	1		WK004001-	
13		4072 627 01	*Connector	4		WK004001-	
14		0713 700 02	*Adapter	8		WK004001-	
15		0712 310 30	*Adapter	4		WK004001-	
16		0712 310 50	*Elbow	2		WK004001-	
17		0710 701 02	*Tee	3		WK004001-	
18		0754 615 UA	*Valve Ass'y, Shuttle	1		WK004001-	
18-1		0754 615 03	**Tee	3		WK004001-	
18-2		0760 710 12	**Ring, O	3		WK004001-	P11-90B
19	#	0756 094 UA	*Valve Ass'y, Multiple	1		WK004001-	Sh. No. 5-13[B]
20		4070 548 10	*Hose Ass'y	1		WK004001-	L=250
20-1	☆	4405 310 01	*Plate, Name (S1)	2		WK004001-	4405 310 00
21		4070 548 36	*Hose Ass'y	2		WK004001-	L=550
22		4070 548 03	*Hose Ass'y	1		WK004001-	L=1600
23		4070 548 19	*Hose Ass'y	1		WK004001-	L=1250
23-1	☆	4405 311 02	*Plate, Name (LP)	2		WK004001-	4405 311 00
24		4070 548 11	*Hose Ass'y	1		WK004001-	L=1300
24-1	☆	4405 307 03	*Plate, Name (R1)	2		WK004001-	4405 307 00
25		4070 548 11	*Hose Ass'y	1		WK004001-	L=1300
25-1	☆	4405 308 03	*Plate, Name (R2)	2		WK004001-	4405 308 00
26		4070 548 11	*Hose Ass'y	1		WK004001-	L=1300
26-1	☆	4405 307 04	*Plate, Name (R3)	2		WK004001-	4405 307 00
27		4070 548 11	*Hose Ass'y	1		WK004001-	L=1300
27-1	☆	4405 308 04	*Plate, Name (R4)	2		WK004001-	4405 308 00
28		4070 548 15	*Hose Ass'y	1		WK004001-	L=900
28-1	☆	4405 309 01	*Plate, Name (A1)	2		WK004001-	4405 309 00
29		4070 548 15	*Hose Ass'y	1		WK004001-	L=900
29-1	☆	4405 307 02	*Plate, Name (B2)	2		WK004001-	4405 307 00
30		4070 548 27	*Hose Ass'y	1		WK004001-	L=600
31		4070 548 27	*Hose Ass'y	1		WK004001-	L=600
31-1	☆	4405 307 01	*Plate, Name (B1)	2		WK004001-	4405 307 00

KEY No.	SU P.	PART No.	DESCRIPTION	Q'TY	CHAN	SERIAL No.	REMARKS
32		4070 548 32	*Hose Ass'y	1		WK004001-	L=1750
32-1	☆	4405 311 01	*Plate, Name (RP)	2		WK004001-	4405 311 00
33		4070 548 18	*Hose Ass'y	1		WK004001-	L=1050
33-1	☆	4405 309 02	*Plate, Name (A2)	2		WK004001-	4405 309 00
34		4070 548 26	*Hose Ass'y	1		WK004001-	L=500
34-1	☆	4405 307 02	*Plate, Name (B2)	2		WK004001-	4405 307 00
35		4070 548 14	*Hose Ass'y	1		WK004001-	L=800
35-1	☆	4405 309 03	*Plate, Name (L1)	2		WK004001-	4405 309 00
36		4070 548 14	*Hose Ass'y	1		WK004001-	L=800
36-1	☆	4405 310 03	*Plate, Name (L2)	2		WK004001-	4405 310 00
37		4070 548 14	*Hose Ass'y	1		WK004001-	L=800
37-1	☆	4405 309 04	*Plate, Name (L3)	2		WK004001-	4405 309 00
38		4070 548 14	*Hose Ass'y	1		WK004001-	L=800
38-1	☆	4405 310 04	*Plate, Name (L4)	2		WK004001-	4405 310 00
39		4070 548 14	*Hose Ass'y	1		WK004001-	L=800
39-1	☆	4405 310 02	*Plate, Name (S2)	2		WK004001-	4405 310 00
40		4070 548 46	*Hose Ass'y	1		WK004001-	L=760
40-1	☆	4405 310 01	*Plate, Name (S1)	2		WK004001-	4405 310 00
41		4070 548 46	*Hose Ass'y	1		WK004001-	L=760
41-1	☆	4405 310 02	*Plate, Name (S2)	2		WK004001-	4405 310 00
42		4070 548 19	*Hose Ass'y	1		WK004001-	L=1250
42-1	☆	4405 307 01	*Plate, Name (B1)	2		WK004001-	4405 307 00
43		4070 548 19	*Hose Ass'y	1		WK004001-	L=1250
43-1	☆	4405 308 01	*Plate, Name (C1)	2		WK004001-	4405 308 00
44		4070 551 15	*Hose Ass'y	1		WK004001-	L=350
44-1	☆	D407 818 03	*Plate, Name (BP)	2		WK004001-	D407 818 00
45		4070 548 16	*Hose Ass'y	1		WK004001-	L=850
46		0712 326 01	*Adapter	4		WK004001-	
47		0710 121 00	*Elbow, 45	1		WK004001-	
48		D416 563 00	*Bracket	1		WK004001-	
49		4448 987 00	*Plate, Name (For A, F Change)	1		WK004001-	
50		0517 080 16	*Bolt, Treatment (W/L.W, F.W)	3		WK004001-	M8X16
51		0517 060 60	*Bolt, Treatment (W/L.W, F.W)	4		WK004001-	M6X60
52		0520 120 25	*Bolt, Treatment (W/L.W)	2		WK004001-	M12X25 P=1.25
53		D070 142 06	*Hose	1		WK004001-	L=500
54		D070 521 02	*Hose	1		WK004001-	L=400
55		0820 067 09	*Band, Cable	7		WK004001-	
56		4550 519 00	*Seal	M		WK004001-	L=70
57		4550 519 00	*Seal	M		WK004001-	L=110
58	#	0783 664 UA	*Valve Ass'y, Shock-less	1		WK004001-	Sh. No. 5-16
59		0710 701 02	*Tee	1		WK004001-	
60		4072 627 01	*Connector	1		WK004001-	
61		0712 310 40	*Elbow, 45	2		WK004001-	
62		0712 310 50	*Elbow	3		WK004001-	

KEY No.	SU P.	PART No.	DESCRIPTION	Q'TY	CHAN	SERIAL No.	REMARKS
63		0710 113 32	*Elbow, Reducer	2		WK004001-	PF3/8XPF1/4
64		D060 131 00	*Connector, Reducer	2		WK004001-	PF3/8XPF1/4
65		0712 325 01	*Elbow	2		WK004001-	
66		0517 100 35	*Bolt, Treatment (W/L.W, F.W)	2		WK004001-	M10X35
67		0760 710 16	*Ring, O	4		WK004001-	P14-90B
68		4070 551 19	*Hose Ass'y	1		WK004001-	L=600
68-1	☆	4405 307 02	*Plate, Name (B2)	2		WK004001-	4405 307 00
69		4070 548 34	*Hose Ass'y	1		WK004001-	L=750
69-1	☆	4405 308 02	*Plate, Name (C2)	2		WK004001-	4405 308 00
70		4070 548 34	*Hose Ass'y	1		WK004001-	L=750
70-1	☆	4405 309 02	*Plate, Name (A2)	2		WK004001-	4405 309 00
71		4070 044 43	*Hose Ass'y	1		WK004001-	L=1100
72		4070 548 79	*Hose Ass'y	1		WK004001-	L=330
72-1	☆	4405 312 01	*Plate, Name (RT)	2		WK004001-	4405 312 00
73		4580 016 00	*Pad	1		WK004001-	
74		0820 067 10	*Band, Cable	2		WK004001-	
75		4080 000 09	*Clamp	1		WK004001-	
76		0521 080 00	*Nut, Hex. (W/F.W)	2		WK004001-	M8
77		4072 930 01	*Connector	2		WK004001-	
78		4070 548 39	*Hose Ass'y	1		WK004001-	L=2000
78-1	☆	4405 312 02	*Plate, Name (LT)	2		WK004001-	4405 312 00
79		4070 548 57	*Hose Ass'y	1		WK004001-	L=450
79-1	☆	4405 307 01	*Plate, Name (B1)	2		WK004001-	4405 307 00
80		4080 000 12	*Clamp	1		WK004001-	
81		0517 080 20	*Bolt, Treatment (W/L.W, F.W)	1		WK004001-	M8X20
82		4080 000 41	*Clamp	1		WK004001-	
83		0710 122 00	*Elbow	1		WK004001-	
84		0719 804 UA	*Elbow	1		WK004001-	
85		0710 118 02	*Elbow	1		WK004001-	
86		0710 801 02	*Cross	1		WK004001-	
87		0712 310 50	*Elbow	2		WK004001-	
88		0712 311 51	*Elbow, Reducer	1		WK004001-	PF3/8XPF1/4
89		0713 700 93	*Connector, Reducer	1		WK004001-	PF3/8XPF1/4
90		4550 519 00	*Seal, Trim	M		WK004001-	L=70
91		4550 519 00	*Seal, Trim	M		WK004001-	L=50
92		0565 030 10	*Screw, Pan Head	2		WK004001-	M3X10
93		0593 030 00	*Washer, Flat	2		WK004001-	M3
94		0690 201 78	*Magnet	1		WK004001-	
95		4550 519 00	*Seal, Trim	M		WK004001-	L=145



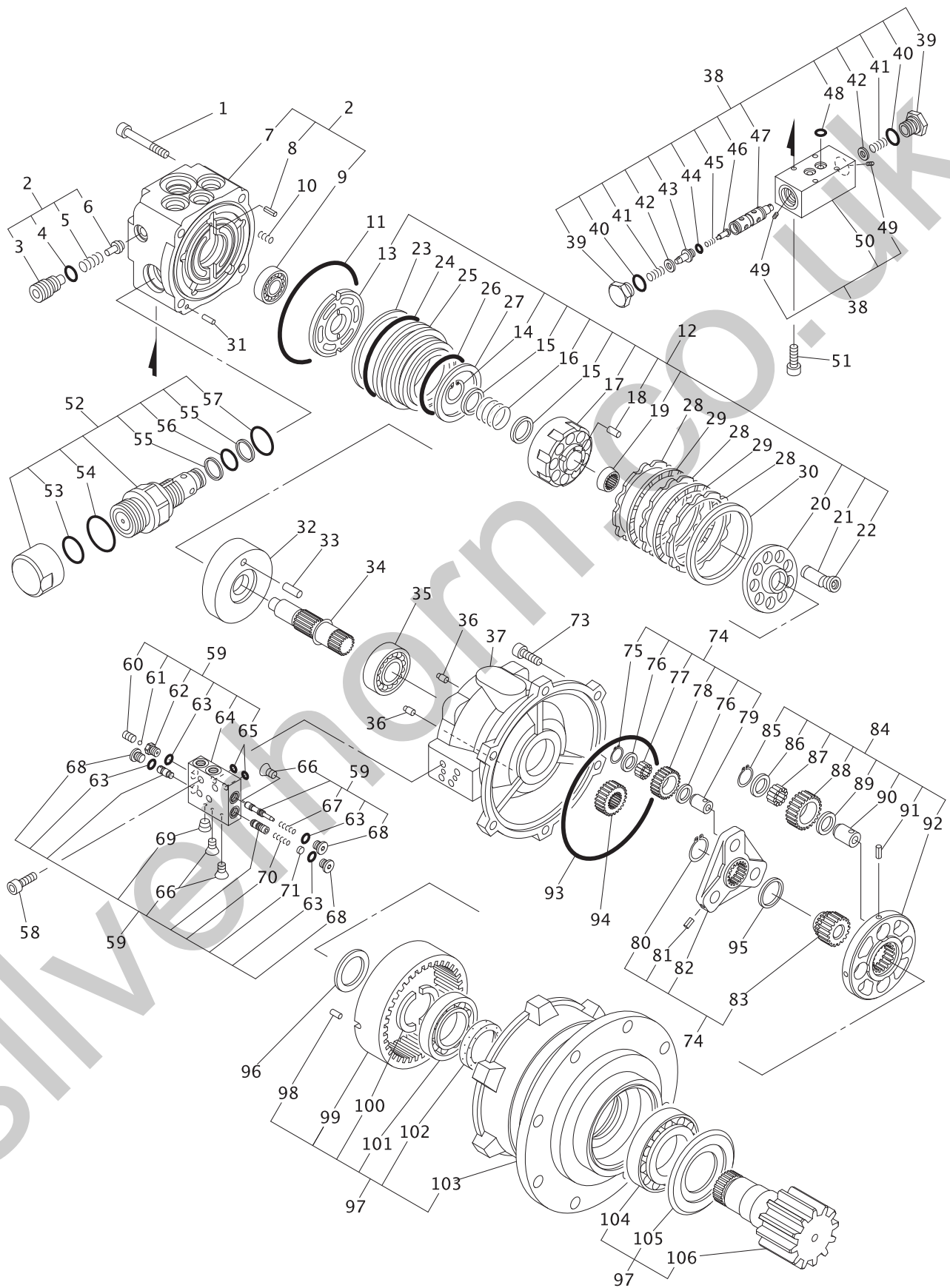
80VX-0501A0-1-0

KEY No.	SU P.	PART No.	DESCRIPTION	Q'TY	CHAN	SERIAL No.	REMARKS
0		0781 345 UA	Motor Ass'y, Travel	2		WK004001-	
1		0781 345 92	*Gear Ass'y, Reduction	1		WK004001-	
2		0781 301 01	**Kit, Floating Seal	1		WK004001-	
3		0781 345 01	**Hub	1		WK004001-	
4		0781 301 03	**Spindle	1		WK004001-	
5		0781 345 02	**Carrier	1		WK004001-	
6		0781 345 03	**Gear, Sun (1)	1		WK004001-	
7		0781 345 04	**Gear, Planetary (1)	3		WK004001-	
8		0781 301 07	**Gear, Sun (2)	1		WK004001-	
9		0781 301 08	**Gear, Planetary (2)	4		WK004001-	
10		0781 301 09	**Collar, Thrust	1		WK004001-	
11		0781 301 10	**Washer, Thrust (1)	4		WK004001-	
12		0781 301 11	**Washer, Thrust (2)	4		WK004001-	
13		0781 301 12	**Washer, Thrust (3)	3		WK004001-	
14		0781 301 13	**Cover	1		WK004001-	
15		0781 301 14	**Bearing, Ball	2		WK004001-	
16		0781 301 15	**Nut, Ring	1		WK004001-	
17		0781 301 16	**Bearing, Roller	3		WK004001-	
18		0781 301 17	**Bearing, Roller	4		WK004001-	
19		0781 301 18	**Ring	3		WK004001-	
20		0781 301 19	**Ring	4		WK004001-	
21		0781 144 31	**Plug	1		WK004001-	
22	☆	0760 617 30	**Ring, O (G230-70B)	1		WK004001-	0760 717 30
23		0760 710 16	**Ring, O	3		WK004001-	P14-90B
24		0753 788 02	**Plug	2		WK004001-	
25		0555 080 20	**Bolt, Treatment	3		WK004001-	M8X20
26		0609 024 10	**Ball, Steel	1		WK004001-	d=3/8
27		0757 675 09	**Pin, Dowel	2		WK004001-	
28		0760 710 07	**Ring, O	2		WK004001-	P7-90B
29	☆	0760 212 59	**Ring, O (259-70B)	1		WK004001-	0760 312 59
30		0753 777 39	**Ring	1		WK004001-	
31		0568 080 12	**Screw, Set	2		WK004001-	M8X12
32		0493 510 45	**Ring, Snap	1		WK004001-	d=45
33		0555 100 20	**Bolt Treatment	4		WK004001-	M10X20
34		0781 345 91	*Motor Ass'y, Hydraulic	1		WK004001-	
35		0781 301 20	**Kit, Piston	1		WK004001-	
36		0781 301 21	**Piston, Ass'y	1		WK004001-	
37		0781 301 22	**Shaft	1		WK004001-	
38		0781 345 05	**Plate, Swash	1		WK004001-	
39		0781 301 24	**Plate, Retainer	1		WK004001-	
40		0781 301 25	**Bowl, Thrust	1		WK004001-	
41		0781 301 26	**Plate, Timing	1		WK004001-	
42		0753 777 09	**Washer	2		WK004001-	
43		0781 301 27	**Washer	1		WK004001-	
44		0781 301 28	**Piston	1		WK004001-	

KEY No.	SU P.	PART No.	DESCRIPTION	Q'TY	CHAN	SERIAL No.	REMARKS
45		0781 149 25	**Spring	10		WK004001-	
46		0781 301 29	**Spring	1		WK004001-	
47		0757 504 15	**Plate, Friction	2		WK004001-	
48		0757 504 16	**Plate	3		WK004001-	
49		0781 301 30	**Seal, Oil	1		WK004001-	
50		0781 301 31	**Ring, O	1		WK004001-	
51		0781 301 32	**Ring, O	1		WK004001-	
52		0753 777 14	**Ring, Snap	1		WK004001-	
53		0630 620 60	**Bearing, Ball	1		WK004001-	#6206
54		0781 301 33	**Bearing, Ball	1		WK004001-	
55		0781 301 34	**Needle	3		WK004001-	
56		0757 675 14	**Pivot	2		WK004001-	
57		0757 675 09	**Pin, Dowel	2		WK004001-	
58		0781 301 35	**Spring	1		WK004001-	
59		0781 303 92	**Valve Ass'y, Relief	2		WK004001-	
60		0760 710 11	**Ring, O	1		WK004001-	P10A-90B
61		0762 120 11	**Ring, Back-up	2		WK004001-	P10A-T2
62		0760 710 20	**Ring, O	1		WK004001-	P20-90B
63		0781 303 95	**Flange Ass'y, Rear	1		WK004001-	
64		0753 569 38	***Plug	3		WK004001-	
65		0781 144 13	***Plug	3		WK004001-	
66		0753 788 02	**Plug	1		WK004001-	
67		0781 301 36	**Plug	2		WK004001-	
68		0753 607 60	**Retainer, Spring	2		WK004001-	
69		0781 149 46	**Valve	2		WK004001-	
70		0781 301 37	**Spring	2		WK004001-	
71		0781 149 47	**Spring	2		WK004001-	
72		0760 710 28	**Ring, O	2		WK004001-	P26-90B
73		0760 710 19	**Ring, O	3		WK004001-	P18-90B
74		0781 301 38	**Spool	1		WK004001-	
75		0781 301 39	**Spring	1		WK004001-	
76		0753 789 12	**Plug	3		WK004001-	
77		0760 710 16	**Ring, O	1		WK004001-	P14-90B
78		0494 804 10	*Pin, Dowel	1		WK004001-	d=4X10
79		0562 120 30	*Bolt, Socket Head	8		WK004001-	M12X30

[Memo]

Silverhorn.CO.UK

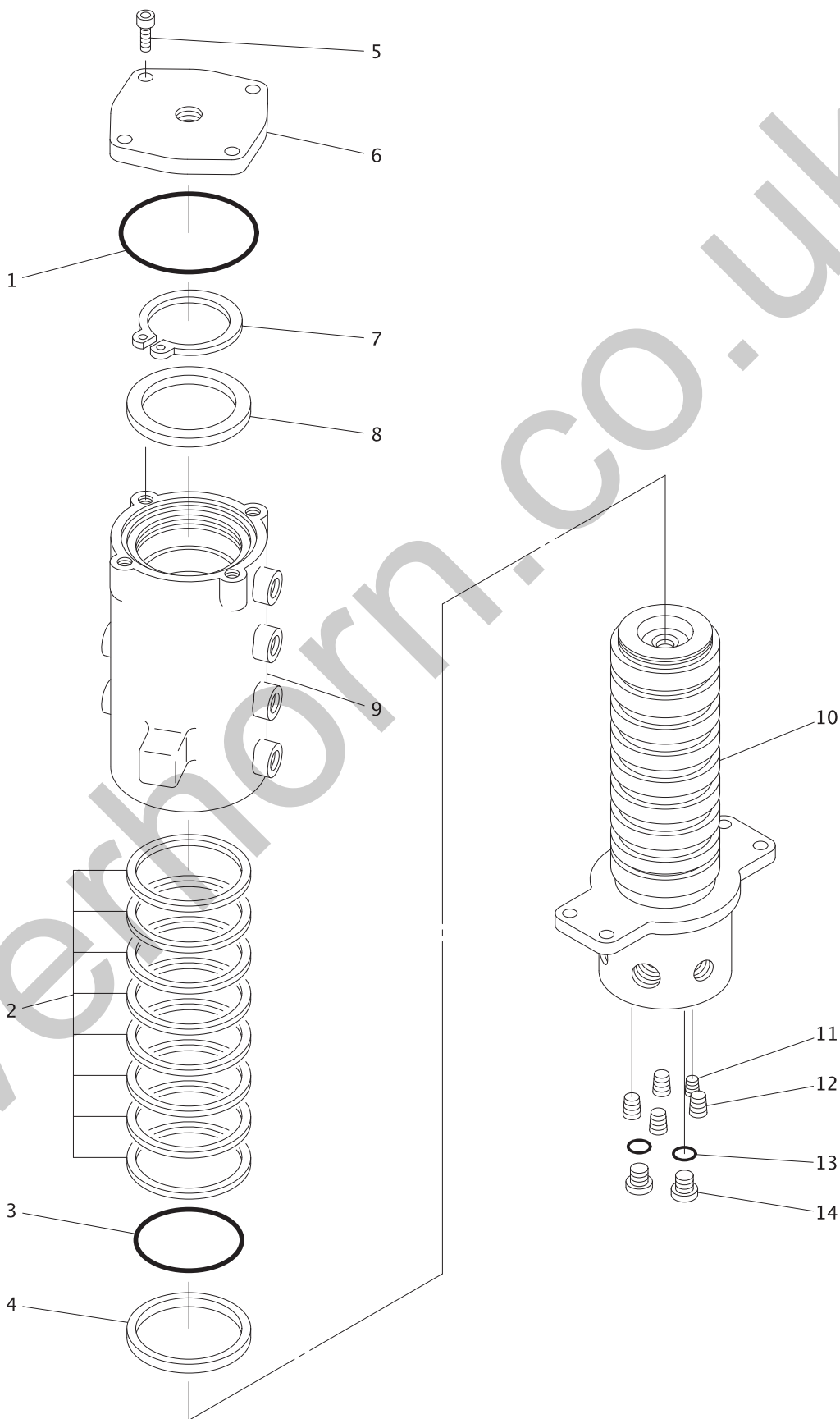


0781166UA-1-0

KEY No.	SU P.	PART No.	DESCRIPTION	Q'TY	CHAN	SERIAL No.	REMARKS
0		0781 166 UA	Swing Motor Ass'y	1		WK002001-	
0-1		0781 140 91	*Motor Ass'y	1		WK002001-	
1		0562 100 65	**Bolt, Socket Head	4		WK002001-	M10X65
2		0781 140 96	**Body Ass'y	1		WK002001-	
3		0753 701 66	***Plug	2		WK002001-	
4		0760 710 12	***Ring, O	2		WK002001-	P11-90B
5		0753 657 55	***Spring	2		WK002001-	
6		0753 701 63	***Valve, Check	2		WK002001-	
7	×	0781 140 06	***Casing	1		WK002001-	
8		0494 609 16	***Pin, Spring	1		WK002001-	d=6X16
9		0630 630 20	***Bearing	1		WK002001-	#6302
10	×	0757 745 10	**Spring	16		WK002001-	
11		0760 716 35	**Ring, O	1		WK002001-	G135-90B
12		0781 140 97	**Barrel Ass'y	1		WK002001-	
13		0781 140 04	**Plate, Valve	1		WK002001-	
14		0493 500 35	***Ring, Snap	1		WK002001-	d=35
15		0757 560 13	***Retainer	2		WK002001-	
16		0757 622 27	***Spring	1		WK002001-	
17		0757 745 07	**Barel, Cylinder	1		WK002001-	
18		0757 622 26	***Pin	3		WK002001-	
19		0757 622 24	**Holder, Barel	1		WK002001-	
20		0757 622 23	**Holder, Shoe	1		WK002001-	
21		0757 622 21	**Piston	9		WK002001-	
22		0757 622 22	**Shoe	9		WK002001-	
23		0762 126 25	**Ring, Back-up	1		WK002001-	G125-T2
24		0760 716 25	**Ring, O	1		WK002001-	G125-90B
25		0757 745 09	**Piston	1		WK002001-	
26		0760 716 15	**Ring, O	1		WK002001-	G115-90B
27		0762 136 15	**Ring, Back-up	1		WK002001-	G115-T2
28	×	0757 796 03	**Plate, Steel	3		WK002001-	
29	×	0757 796 02	**Plate, Disk	2		WK002001-	
30	×	0757 745 13	**Spacer	1		WK002001-	
31		0757 674 10	**Pin	1		WK002001-	d=6X16
32		0781 140 05	**Plate, Swash	1		WK002001-	
33		0494 808 15	**Pin	2		WK002001-	d=8X15
34	×	0757 622 18	**Shaft	1		WK002001-	
35		0630 630 54	**Bearing	1		WK002001-	#6305Z
36		0757 618 20	**Filter	2		WK002001-	
37	×	0757 745 06	**Casing	1		WK002001-	
38		0757 641 92	**Valve Ass'y, By-pass	1		WK002001-	
39	×	0753 740 56	***Plug	2		WK002001-	
40		0760 710 19	***Ring, O	2		WK002001-	P18-90B
41	×	0753 636 53	***Spring	2		WK002001-	
42	×	0753 620 55	***Ring	2		WK002001-	
43	×	0753 620 49	***Guide, Spring	2		WK002001-	

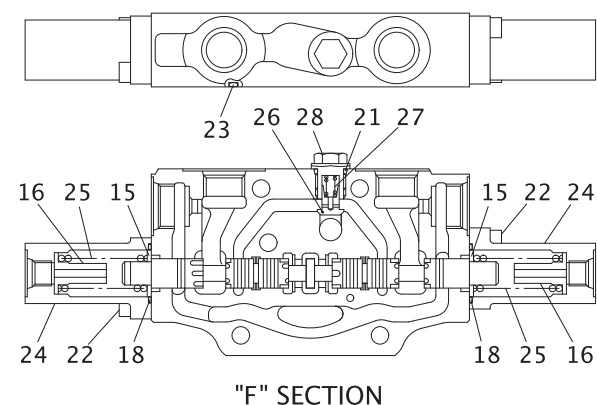
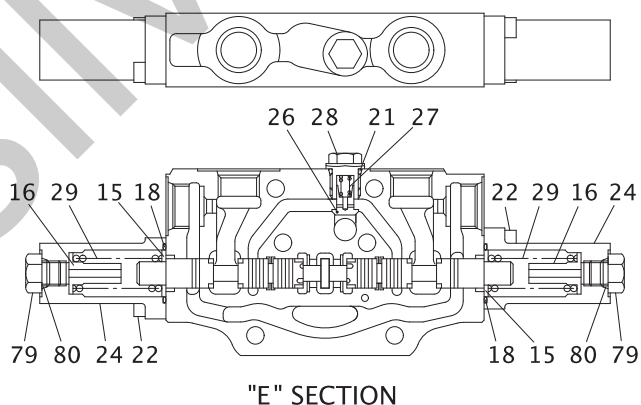
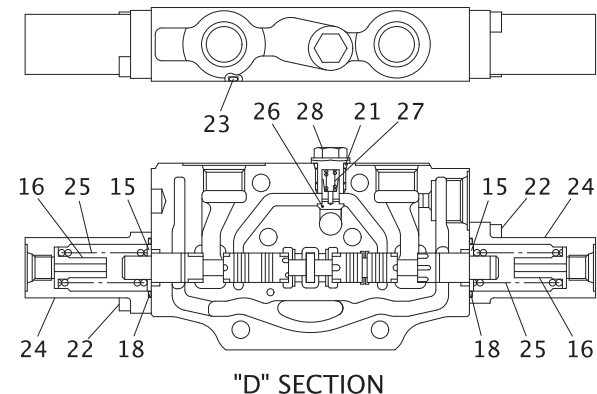
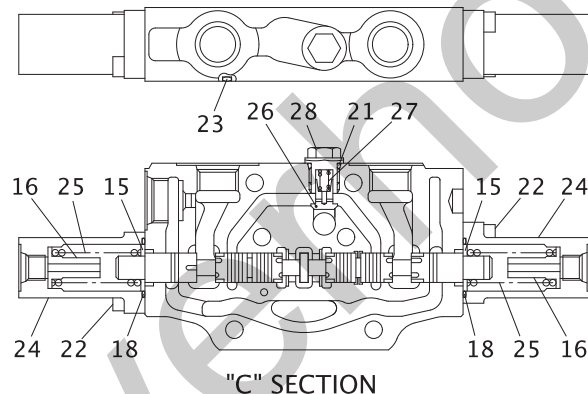
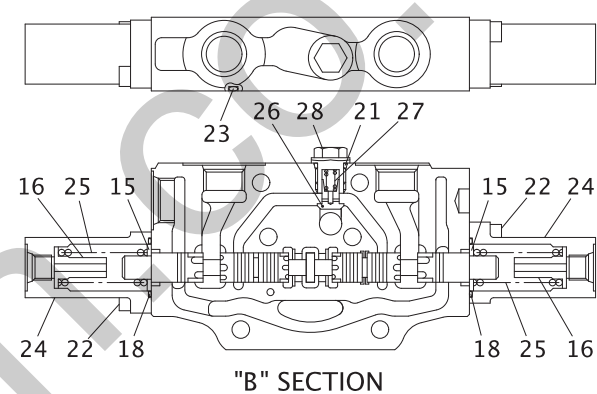
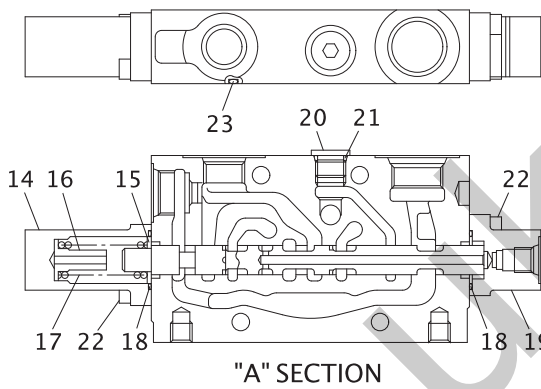
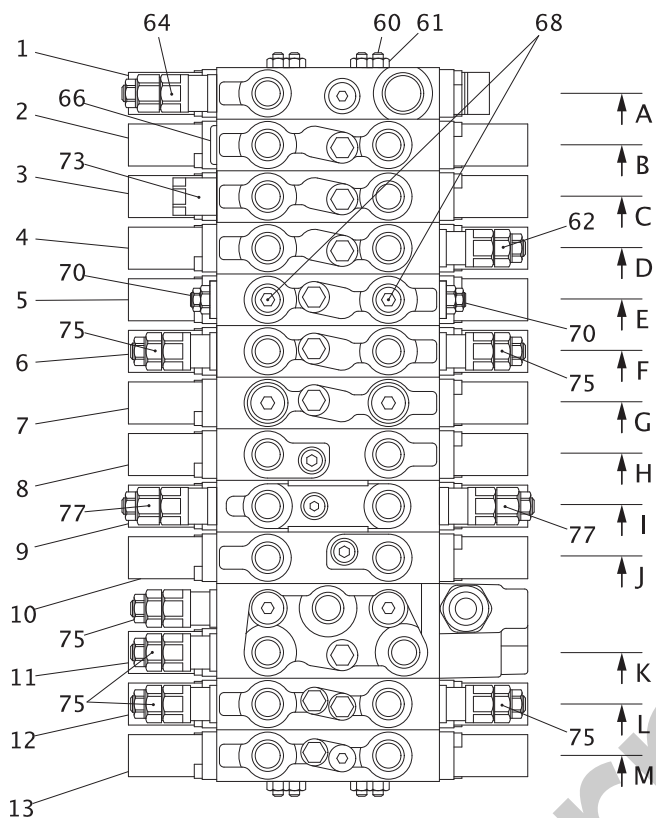
KEY No.	SU P.	PART No.	DESCRIPTION	Q'TY	CHAN	SERIAL No.	REMARKS
44	☆	0760 610 10	***Ring, O(P10-70B)	2		WK002001-	0760 710 10
45	×	0753 620 52	***Spring	2		WK002001-	
46	×	0753 620 48	***Valve, Check	2		WK002001-	
47	×	0757 674 24	***Spool	1		WK002001-	
48		0760 710 09	***Ring, O	2		WK002001-	P9-90B
49	×	0757 674 25	***Choke	2		WK002001-	
50	×	0757 674 23	***Body	1		WK002001-	
51		0562 060 20	**Bolt, Socket Head	4		WK002001-	M6X20
52		0781 166 92	**Valve Ass'y, Relief	2		WK002001-	
53		0760 710 19	***Ring, O	1		WK002001-	P18-90B
54		0760 710 29	***Ring, O	1		WK002001-	P28-90B
55		0762 120 16	***Ring, Back-up	2		WK002001-	P14-T2
56		0760 710 16	***Ring, O	1		WK002001-	P14-90B
57		0760 710 22	***Ring, O	1		WK002001-	P22-90B
58		0562 060 15	**Bolt, Socket Head	4		WK002001-	M6X15
59		0757 745 93	**Valve Ass'y, Timer	1		WK002001-	
60	×	0781 146 08	***Screw, Set	1		WK002001-	
61		0609 010 10	***Ball	1		WK002001-	d=5/32
62	×	0781 146 07	***Plug	1		WK002001-	
63		0760 710 12	***Ring, O	4		WK002001-	P11-90B
64	×	0781 146 01	***Body	1		WK002001-	
65		0760 710 07	***Ring, O	2		WK002001-	P7-90B
66	×	0781 146 06	***Plug	3		WK002001-	
67	×	0781 146 03	***Spring	1		WK002001-	
68		0750 083 23	***Plug	3		WK002001-	
69		0750 083 57	***Plug	1		WK002001-	
70	×	0781 146 04	***Spring	1		WK002001-	
71	×	0781 146 05	***Holder	1		WK002001-	
72		0781 140 92	*Gear Ass'y, Reduction	1		WK002001-	
73		0562 080 25	**Bolt, Socket Head	6		WK002001-	M8X25
74		0781 140 95	**Carrier Ass'y	1		WK002001-	
75		0493 510 25	***Ring, Snap	3		WK002001-	d=25
76	×	0757 745 04	***Washer, Thrust	6		WK002001-	
77	×	0750 844 18	***Needle	48		WK002001-	
78	×	0781 140 02	***Gear	3		WK002001-	
79	×	0750 844 11	***Pin	3		WK002001-	
80		0493 510 35	***Ring, Snap	1		WK002001-	d=35
81		0494 606 20	***Ring, Spring	3		WK002001-	d=4X20
82	×	0781 140 01	***Carrier	1		WK002001-	
83	×	0757 622 08	***Gear	1		WK002001-	
84		0757 745 95	**Carrier Ass'y	1		WK002001-	
85	×	0493 510 30	***Ring, Snap	4		WK002001-	d=30
86	×	0757 622 15	***Washer, Thrust	4		WK002001-	
87	×	0757 622 20	***Needle	96		WK002001-	
88	×	0757 622 06	***Gear	4		WK002001-	

KEY No.	SU P.	PART No.	DESCRIPTION	Q'TY	CHAN	SERIAL No.	REMARKS
89	×	0757 745 03	***Washer, Thrust	4		WK002001-	
90	×	0757 622 10	***Pin	4		WK002001-	
91		0494 609 20	***Pin, Spring	4		WK002001-	d=6X20
92	×	0757 745 02	***Carrier	1		WK002001-	
93	☆	0760 212 66	**Ring, O(266-70B)	1		WK002001-	0760 312 66
94		0781 140 03	**Gear	1		WK002001-	
95		0753 785 09	**Collar, Thrust	1		WK002001-	
96		0757 745 05	**Ring	1		WK002001-	
97		0781 140 94	**Pinion Ass'y	1		WK002001-	
98	×	0750 844 26	***Pin	2		WK002001-	
99	×	0757 622 05	***Gear	1		WK002001-	
100	×	0757 622 13	***Collar	2		WK002001-	
101	×	0633 021 10	***Bearing	1		WK002001-	
102	×	0761 122 21	***Seal, Oil	1		WK002001-	
103	×	0757 745 01	***Body	1		WK002001-	
104	×	0633 021 20	***Bearing	1		WK002001-	
105	×	0757 622 12	***Ring	1		WK002001-	
106	×	0757 674 02	***Shaft, Pinion	1		WK002001-	

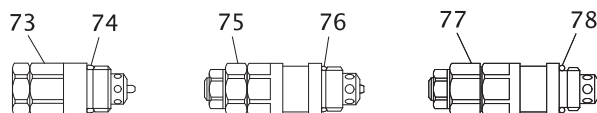
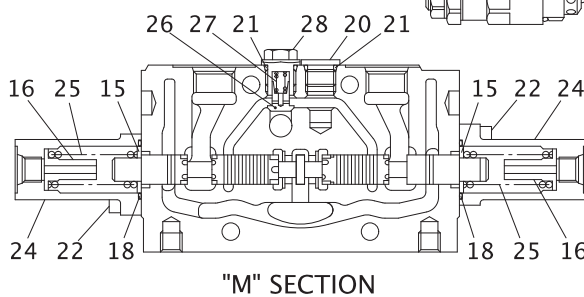
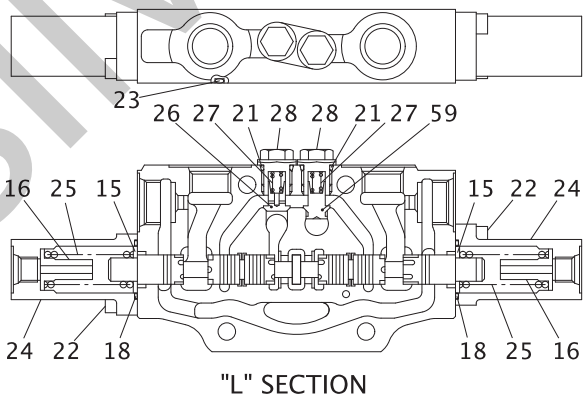
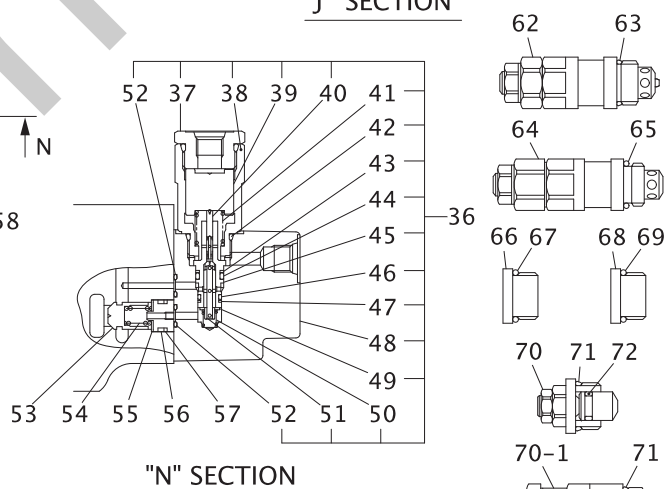
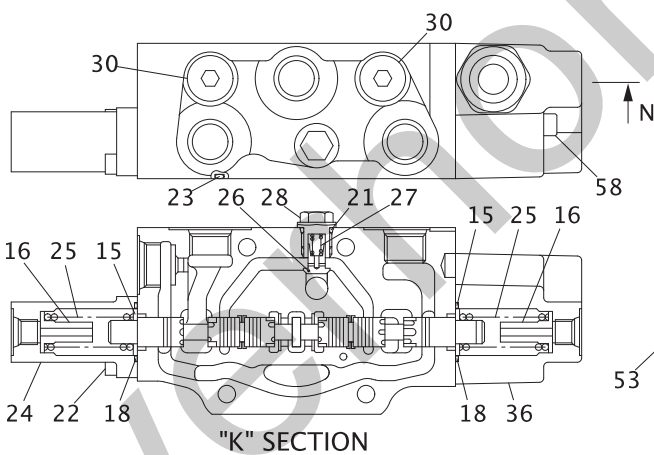
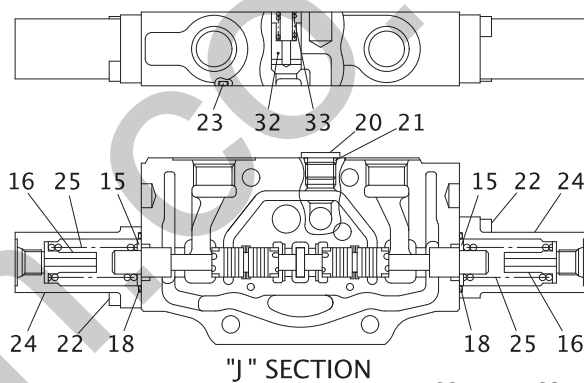
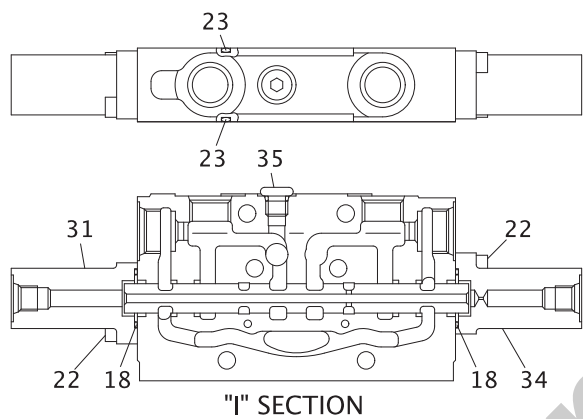
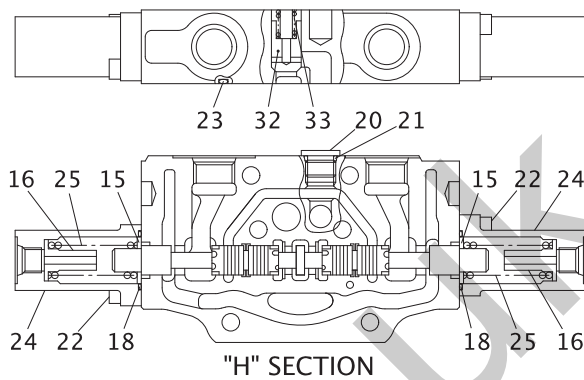
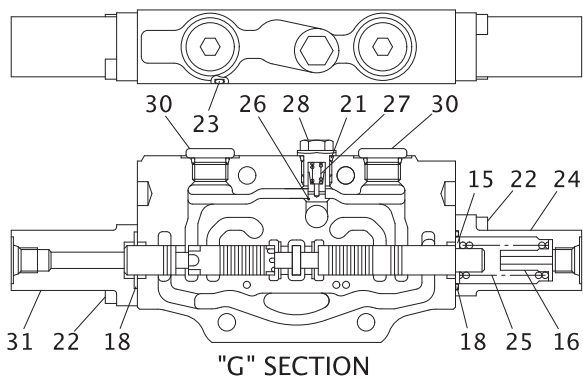


0713440UA-1-0

KEY No.	SU P.	PART No.	DESCRIPTION	Q'TY	CHAN	SERIAL No.	REMARKS
0		0713 440 UA	Joint Ass'y, Rotary	1		WK002001-	
0-1		0755 849 91	*Kit, Seal	1		WK002001-	
1	×	0760 716 00	**Ring, O	1		WK002001-	G100-90B
2	×	0755 849 05	**Seal, Oil	8		WK002001-	
3	×	0760 710 80	**Ring, O	1		WK002001-	P80-90B
4	×	0755 812 19	**Seal, Dust	1		WK002001-	
5		0562 080 25	*Bolt, Socket Head	4		WK002001-	M8X25
6	△	0713 440 09	*Cover	1		WK002001-	
7		0493 510 72	*Ring, Snap	1		WK002001-	d=72
8		0713 440 06	*Spacer	1		WK002001-	
9		*** ** *	*Hub	1		WK002001-	
10		*** ** *	*Shaft Ass'y	1		WK002001-	
11		0710 200 14	*Plug, Socket Head	1		WK002001-	PT1/4
12		0710 200 10	*Plug, Socket Head	4		WK002001-	PT3/8
13		0760 710 16	*Ring, O	2		WK002001-	P14-90B
14		0755 845 09	*Plug	2		WK002001-	PF3/8



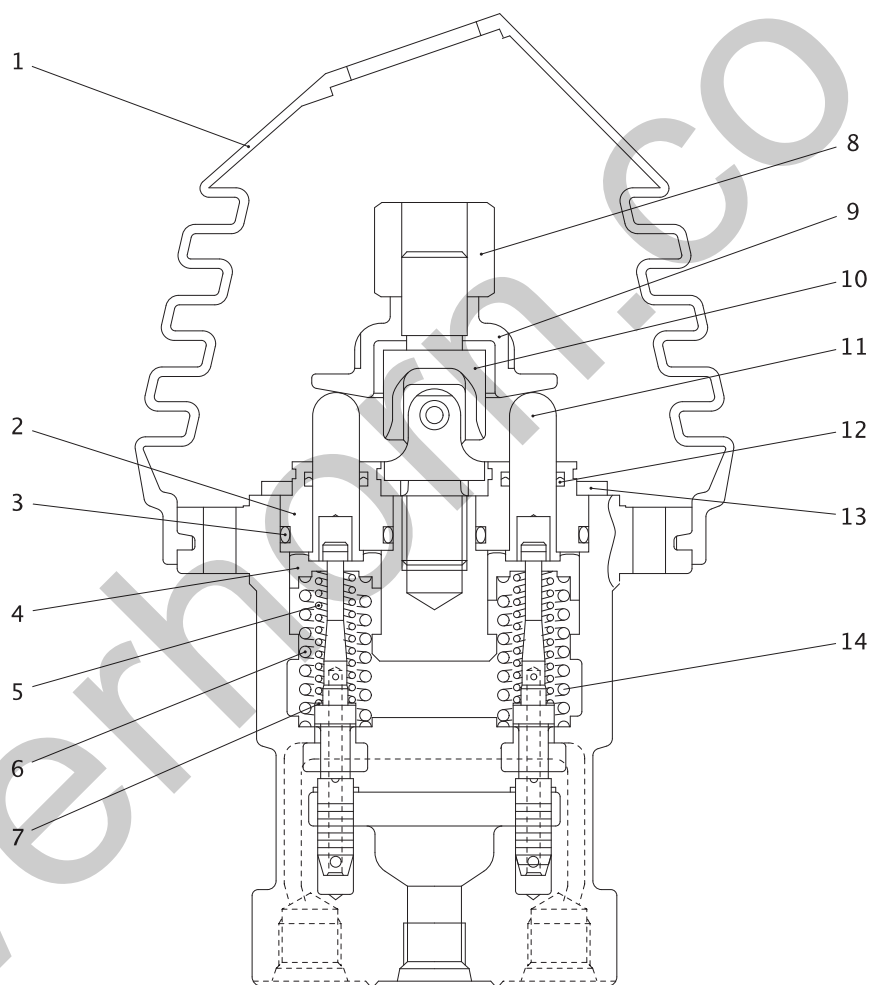
80VX-0504A0-1-0



80VX-0504A0-2-0

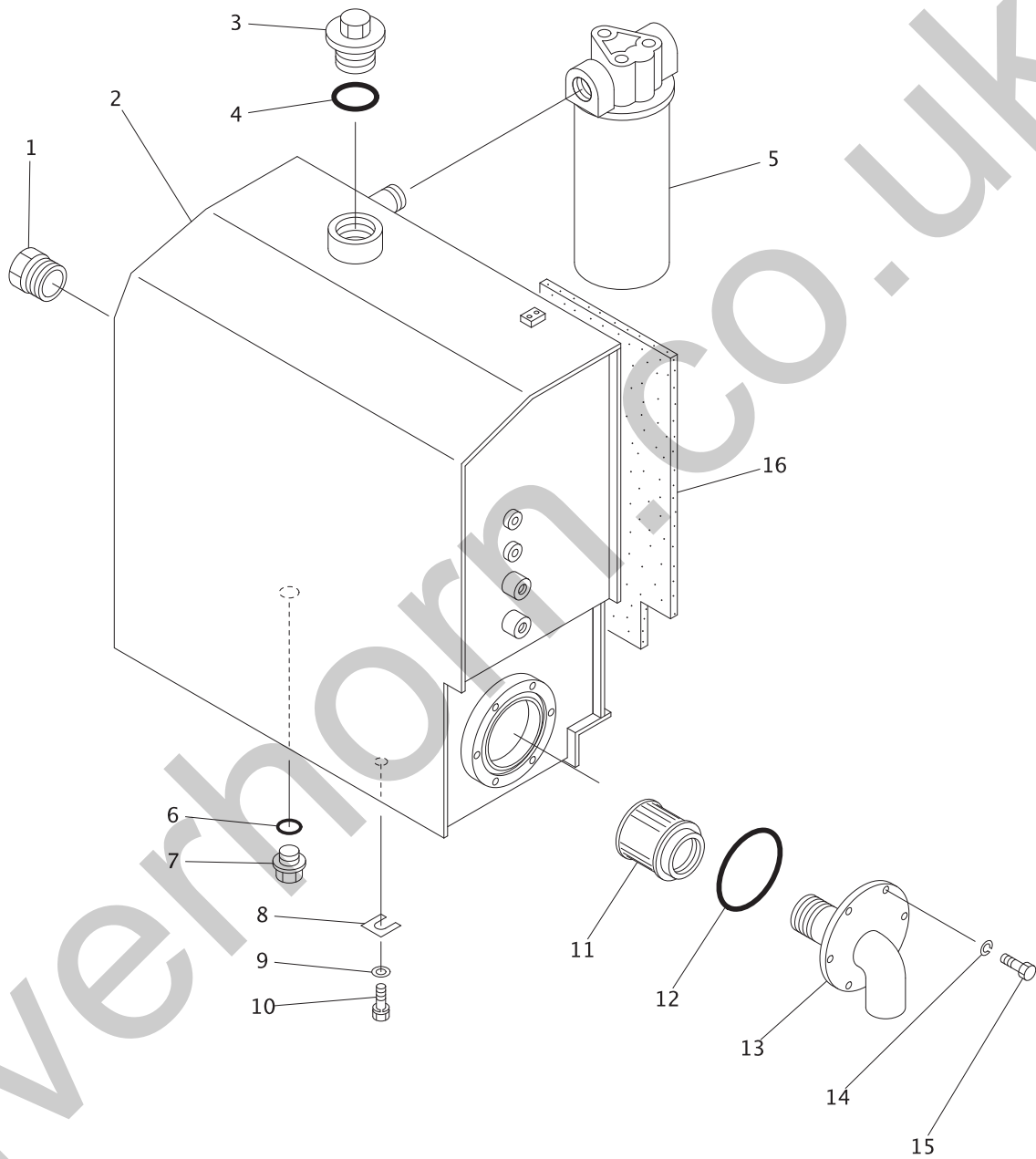
KEY No.	SU P.	PART No.	DESCRIPTION	Q'TY	CHAN	SERIAL No.	REMARKS
0		0783 974 UA	Valve Ass'y, Control	1		WK004001-	
1		0783 974 87	*Block Ass'y	1		WK004001-	
2		0783 974 88	*Block Ass'y, Swing	1		WK004001-	
3		0783 974 89	*Block Ass'y, Boom Swing	1		WK004001-	
4		0783 974 90	*Block Ass'y, Blade	1		WK004001-	
5		0783 974 91	*Block Ass'y, Spare	1		WK004001-	
6		0783 974 92	*Block Ass'y, Arm (1)	1		WK004001-	
7		0783 974 93	*Block Ass'y, Boom (2)	1		WK004001-	
8		0783 974 94	*Block Ass'y, Travel (L.H.)	1		WK004001-	
9		0783 974 95	*Block Ass'y, Inlet	1		WK004001-	
10		0783 974 96	*Block Ass'y, Travel (R.H.)	1		WK004001-	
11		0783 974 97	*Block Ass'y, Boom (1)	1		WK004001-	
12		0783 974 98	*Block Ass'y, Bucket	1		WK004001-	
13		0783 974 99	*Block Ass'y, Arm (2)	1		WK004001-	
14		0783 677 02	**Cap	1		WK004001-	
15		0756 339 05	**Seat, Spring	22		WK004001-	
16		0783 677 03	**Seat, Spring	22		WK004001-	
17		0783 677 04	**Spring	1		WK004001-	
18		0756 339 08	**Ring, 0	26		WK004001-	S24-70B
19		0783 974 03	**Cap	1		WK004001-	
20		0783 842 02	**Plug	4		WK004001-	
21		0783 677 06	**Ring, 0	14		WK004001-	
22		0562 060 18	**Bolt, Socket Head	50		WK004001-	M6X18
23	☆	0760 615 70	**Ring, 0 (G70-70B)	12		WK004001-	0760 715 70
24		0783 677 07	**Cap	20		WK004001-	
25		0783 677 08	**Spring	19		WK004001-	
26		0783 677 09	**Poppet	9		WK004001-	
27		0783 677 10	**Spring	10		WK004001-	
28		0783 677 05	**Plug	10		WK004001-	
29		0783 974 02	**Spring	2		WK004001-	
30		0783 646 83	**Plug Ass'y	4		WK004001-	
30-1		0760 710 16	***Ring, 0	1		WK004001-	P14-90B
31		0783 677 18	**Cap	2		WK004001-	
32		0756 339 20	**Poppet	2		WK004001-	
33		0753 904 11	**Spring	2		WK004001-	
34		0783 974 04	**Cap	1		WK004001-	
35		0783 677 83	**Plug Ass'y	1		WK004001-	
35-1		0760 710 08	***Ring, 0	1		WK004001-	P8-90B
36		0783 846 83	**Valve Ass'y, Anti drift	1		WK004001-	
37		0756 339 80	***Plug Ass'y	1		WK004001-	
38		0783 677 24	***Plug	1		WK004001-	
39		0783 749 02	***Piston	1		WK004001-	
40		0783 677 26	***Spool	1		WK004001-	
41		0783 677 28	***Spring	1		WK004001-	
42		0753 101 09	***Ring, 0	1		WK004001-	

KEY No.	SU P.	PART No.	DESCRIPTION	Q'TY	CHAN	SERIAL No.	REMARKS
43		0762 120 11	***Ring, Back-up	1		WK004001-	P10A-T2
44	☆	0760 610 11	***Ring, O (P10A-70B)	1		WK004001-	0760 710 11
45		0783 677 27	***Sleeve	1		WK004001-	
46	☆	0760 610 09	***Ring, O (P9-70B)	1		WK004001-	0760 710 09
47		0762 120 09	***Ring, Back-up	1		WK004001-	P9-T2
48		0783 749 01	***Body	1		WK004001-	
49		0783 677 30	***Seat, Spring	1		WK004001-	
50		0783 677 29	***Spring	1		WK004001-	
51		0783 677 23	***Poppet	1		WK004001-	
52		0760 710 07	***Ring, O	2		WK004001-	P7-90B
53		0783 677 21	**Poppet	1		WK004001-	
54		0756 339 25	**Spring	1		WK004001-	
55		0783 677 22	**Spacer	1		WK004001-	
56	☆	0760 610 15	**Ring, O (P12.5-70B)	1		WK004001-	0760 710 15
57		0762 120 15	**Ring, Back-up	1		WK004001-	P12.5-T2
58		0562 060 50	**Bolt, Socket Head	5		WK004001-	M6X50
59		0783 974 01	**Poppet	1		WK004001-	
60		0783 842 01	*Rod, Tie	4		WK004001-	
61		0580 080 00	*Nut	8		WK004001-	M8
62		0783 974 83	*Valve Ass'y, Relief	1		WK004001-	29.4MPa-10L
63		0760 319 10	**Ring, O	1		WK004001-	910-90B
64		0783 974 84	*Valve Ass'y, Relief	1		WK004001-	21.6MPa-53L
65		0760 319 10	**Ring, O	1		WK004001-	910-90B
66		0756 339 81	*Plug Ass'y	1		WK004001-	
67		0760 710 19	**Ring, O	1		WK004001-	P18-90B
68		0783 646 84	*Plug Ass'y	2		WK004001-	
69		0760 710 19	**Ring, O	1		WK004001-	P18-90B
70		0783 646 85	*Valve Ass'y, Shut-off	2		WK004001-	
70-1		0785 603 UA	*Valve Ass'y, Over Load Relief	2		WK004001-	Option 13.7MPa-72L
70-2		0785 604 UA	*Valve Ass'y, Over Load Relief	2		WK004001-	Option 17.2MPa-72L
70-3		0785 605 UA	*Valve Ass'y, Over Load Relief	2		WK004001-	Option 20.6MPa-72L
71		0760 319 10	**Ring, O	1		WK004001-	910-90B
72	☆	0760 610 11	**Ring, O (P10A-70B)	1		WK004001-	0760 710 11
73		0783 846 88	*Valve Ass'y, Anti Void	1		WK004001-	
74		0760 319 10	**Ring, O	1		WK004001-	910-90B
75		0783 974 85	*Valve Ass'y, Relief	6		WK004001-	27.5MPa-10L
76		0760 319 10	**Ring, O	1		WK004001-	910-90B
77		0783 974 86	*Valve Ass'y, Relief	2		WK004001-	24.5MPa-71L
78		0760 319 10	**Ring, O	1		WK004001-	910-90B
79		0710 212 04	Plug	2		WK004001-	
80		0760 710 12	Ring, O	2		WK004001-	P11-90B



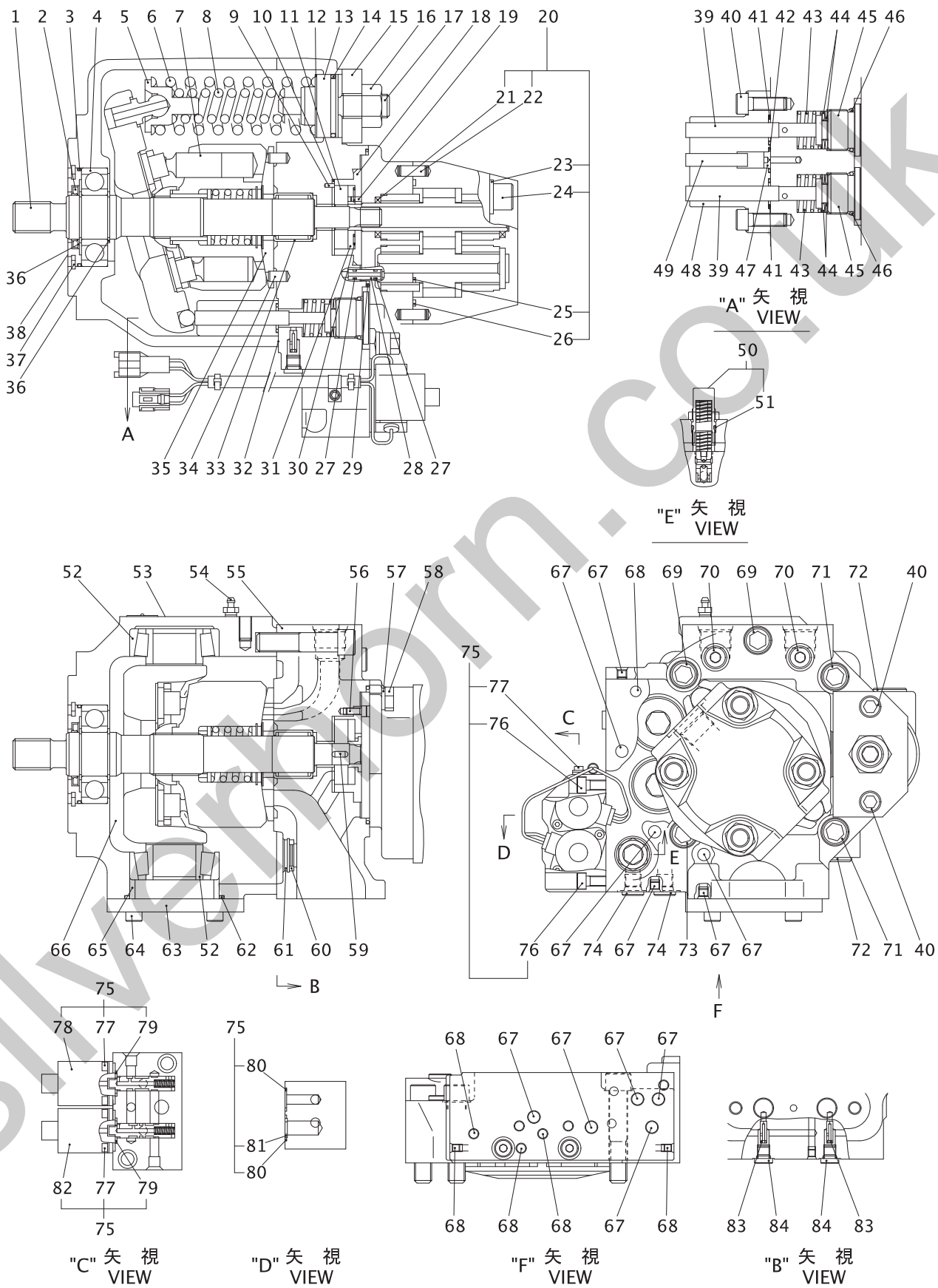
80VX-0505AB-1-0

KEY No.	SU P.	PART No.	DESCRIPTION	Q'TY	CHAN	SERIAL No.	REMARKS
0		0783 941 UA	Valve Ass'y, Remote Control	2		WK004001-	
1		0783 771 07	*Boot	1		WK004001-	
2		0756 735 09	*Plug	4		WK004001-	
3		0760 710 20	*Ring, O	4		WK004001-	P20-90B
4		0783 700 08	*Seat, Spring	4		WK004001-	
5		0783 826 03	*Spring	4		WK004001-	
6		0783 700 10	*Spring (No.2, 4, Ports)	2		WK004001-	
7		0756 735 15	*Washer	4		WK004001-	
8		0783 771 03	*Nut, Adjusting	1		WK004001-	
9		0783 700 12	*Plate	1		WK004001-	
10		0756 303 07	*Joint	1		WK004001-	
11		0756 744 11	*Rod, Push	4		WK004001-	
12		0756 611 13	*Seal	4		WK004001-	
13		0783 756 01	*Plate	1		WK004001-	
14		0783 941 01	*Spring (No.1, 3, Ports)	2		WK004001-	



08-80V0-050600-1-0

KEY No.	SU P.	PART No.	DESCRIPTION	Q'TY	CHAN	SERIAL No.	REMARKS
0	×	F341 884 00	Tank Ass'y, Hydraulic Oil	1		WK002001-	
1		4079 027 00	*Gauge, Level	1		WK002001-	
2	△	D284 176 00	*Tank, Hydraulic Oil	1		WK002001-***	
2	△	D284 200 00	*Tank, Hydraulic Oil	1	△	***-	
3		4060 021 00	*Plug	1		WK002001-***	PF1-1/2
3		D077 017 00	*Plug	1	△	***-	M40 P=1.5
4		0760 710 45	*Ring, O	1		WK002001-***	P44-90B
4		0760 610 40	*Ring, O	1	△	***-	P38-70B
5		0759 116 UA	*Filter, Return	1		WK002001-	
5-1		0759 116 03	**Cartridge Ass'y	1		WK002001-	
5-2		0760 711 15	**Ring, O	1		WK002001-	P115-90B
6		0760 312 11	*Ring, O	1		WK002001-	211-90B
7		4077 036 00	*Plug, Drain	1		WK002001-	
8		4007 452 01	*Shim	AR		WK002001-	t=0.8
8-1		4007 452 02	*Shim	AR		WK002001-	t=1.6
9		4006 119 03	*Washer, Flat	4		WK002001-	M12
10		0520 120 25	*Bolt, Treatment (W/L.W)	4		WK002001-	M12X25 P=1.25
11		0759 106 UA	*Strainer, Suction	1		WK002001-	
12		0760 711 30	*Ring, O	1		WK002001-	P130-90B
13		D285 270 00	*Tube	1		WK002001-	
14		0590 100 00	*Washer, Lock	6		WK002001-	M10
15		0555 100 20	*Bolt, Treatment	6		WK002001-	M10X20
16		D468 887 00	*Panel, Sponge	1		WK002001-	



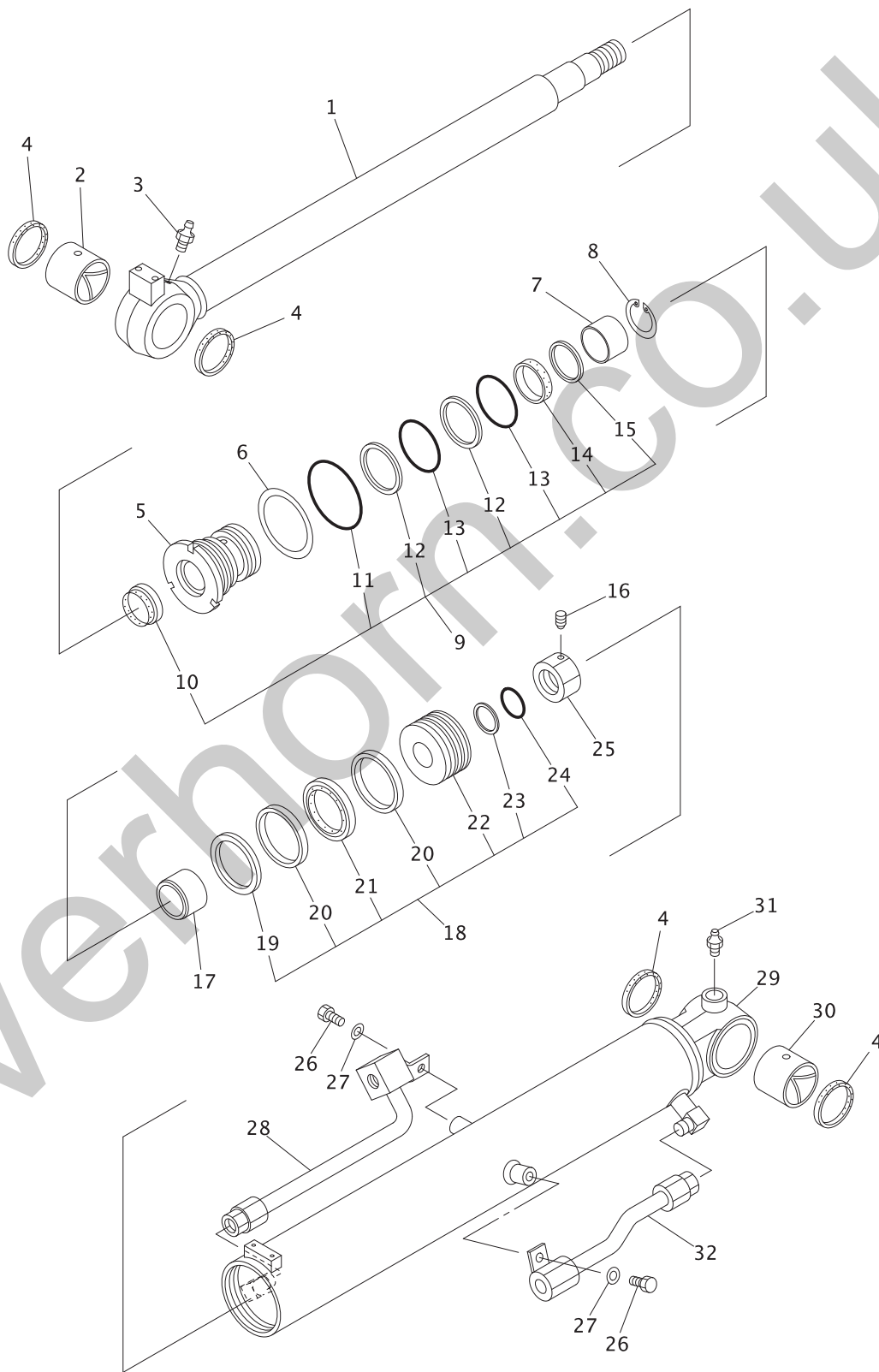
0780055UA-1-0

KEY No.	SU P.	PART No.	DESCRIPTION	Q'TY	CHAN	SERIAL No.	REMARKS
0		0780 055 UA	Pump Ass'y, Oil	1		WK002001-	
1		0780 021 03	*Shaft	1		WK002001-	
2		0750 023 05	*Seal, Oil	1		WK002001-	
3	☆	0760 211 51	*Ring, O (151-70B)	1		WK002001-	0763 311 51
4		0750 023 04	*Bearing	1		WK002001-	
5		0750 023 17	*Seat, Spring	1		WK002001-	
6		0750 023 22	*Spring	1		WK002001-	
7		0780 055 91	*Rotary Ass'y	1		WK002001-	
8		0750 023 21	*Spring	1		WK002001-	
9		0494 604 08	*Pin, Spring	1		WK002001-	d=3X8
10		0780 021 15	*Plate	1		WK002001-	
11		0780 021 11	*Gear	1		WK002001-	
12		0750 023 23	*Shim	1		WK002001-	t=0.3
12-1		0750 023 24	*Shim	1		WK002001-	t=0.5
12-2		0750 023 25	*Shim	1		WK002001-	t=1.0
13		0780 055 01	*Seat, Spring	1		WK002001-	
14	☆	0760 610 45	*Ring, O (P44-70B)	1		WK002001-	0760 710 45
15		0750 023 19	*Cover	1		WK002001-	
16		0580 200 00	*Nut, Hex.	1		WK002001-	M20
17		0750 023 20	*Screw, Adjust	1		WK002001-	
18		0780 021 12	*Case	1		WK002001-	
19		0494 606 08	*Pin, Spring	1		WK002001-	d=4X8
20		0780 021 91	*Pump Ass'y, Gear	1		WK002001-	
21		0750 293 23	**Seal, Shaft	2		WK002001-	
22		0751 039 35	**Pin, Dowel	2		WK002001-	d=8X20
23		0593 140 00	**Washer, Flat	4		WK002001-	M14
24		0562 140 90	**Bolt, Socket Head	4		WK002001-	M14X90
25		0760 715 90	**Ring, O	1		WK002001-	G90-90B
26		0751 039 27	**Ring, O	6		WK002001-	
27		0760 710 05	*Ring, O	2		WK002001-	P5-90B
28		0780 021 06	*Sleeve	1		WK002001-	
29	☆	0760 616 05	*Ring, O (G105-70B)	1		WK002001-	0760 716 05
30		0780 022 07	*Ring, O	1		WK002001-	
31		0780 021 13	*Plate	1		WK002001-	
32		0750 023 15	*Packing	1		WK002001-	
33		0750 023 14	*Bearing	1		WK002001-	
34		0494 808 14	*Pin, Dowel	2		WK002001-	d=8X4
35		0750 023 13	*Plate, Control	1		WK002001-	
36		0493 510 35	*Ring, Snap	2		WK002001-	d=35
37		0493 500 80	*Ring, Snap	1		WK002001-	d=80
38		0750 023 03	*Case, Seal	1		WK002001-	
39		0780 021 09	*Piston	2		WK002001-	
40		0562 100 30	*Bolt, Socket Head	4		WK002001-	M10X30
41		0760 710 20	*Ring, O	2		WK002001-	P20-90B
42		0760 710 18	*Ring, O	1		WK002001-	P16-90B

KEY No.	SU P.	PART No.	DESCRIPTION	Q'TY	CHAN	SERIAL No.	REMARKS
43		0750 023 30	*Spring	2		WK002001-	
44		0750 023 29	*Spring, Conical	4		WK002001-	
45		0756 791 45	*Plug	2		WK002001-	
46		0760 710 30	*Ring, O	2		WK002001-	P29-90B
47		0750 023 28	*Orifice	1		WK002001-	
48		0780 021 08	*Cylinder	1		WK002001-	
49		0780 021 10	*Pin, Dowel	1		WK002001-	
50		0780 022 92	*Valve Ass'y, Relief	1		WK002001-	
51		0756 780 10	**Ring, O	1		WK002001-	
52		0750 023 08	*Bearing	2		WK002001-	
53		0780 021 01	*Housing	1		WK002001-	
54		0750 050 03	*Breather, Air	1		WK002001-	
55		0780 021 05	*Cover	1		WK002001-	
56		0780 021 14	*Bolt, Socket Head	3		WK002001-	M5X12
57		0590 100 00	*Washer, Lock	2		WK002001-	
58		0555 100 25	*Bolt, Treatment	2		WK002001-	M10X25
59		0780 022 02	*Key	1		WK002001-	
60		0750 050 15	*Filter	1		WK002001-	
61		0493 500 25	*Ring, Snap	1		WK002001-	d=25
62	☆	0760 615 75	*Ring, O (G75-70B)	1		WK002001-	0760 715 75
63		0750 023 06	*Cover	1		WK002001-	
64		0562 080 22	*Bolt, Socket Head	4		WK002001-	M8X22
65		0750 023 07	*Piece, Distance	1		WK002001-	
66		0780 021 04	*Hanger	1		WK002001-	
67		0753 571 19	*Plug	12		WK002001-	
68		0753 571 31	*Plug	5		WK002001-	
69		0562 140 65	*Bolt, Socket Head	2		WK002001-	M14X65
70	×	0756 720 26	*Plug Ass'y	2		Not for use	
71		0562 140 40	*Bolt, Socket Head	2		WK002001-	M14X40
72		0780 021 02	*Plug Ass'y	2		WK002001-	
73		0562 140 75	*Bolt, Socket Head	1		WK002001-	M14X75
74		0756 720 33	*Plug Ass'y	2		WK002001-	
75	×	0750 050 94	*Valve Ass'y	1		Not for use	
75		0780 073 93	*Valve Ass'y	1		WK002001-	
76		0562 080 25	**Bolt, Socket Head	2		WK002001-	M8X25
77		0562 040 10	**Bolt, Socket Head	1		WK002001-	M4X10
78		0780 073 18	**Solenoid Ass'y	1		WK002001-	
79		0760 610 18	**Ring, O	2		Not for use	P16-70B
79		0760 710 16	**Ring, O	2		WK002001-	P14-90B
80	☆	0760 210 17	**Ring, O (017-70B)	2		WK002001-	0760 310 17
81		0751 046 03	**Element, Filter	1		WK002001-	
82		0780 073 19	**Solenoid Ass'y	1		WK002001-	
83		0750 023 16	*Orifice	2		WK002001-	
84		0780 022 10	*Plug Ass'y	2		WK002001-	

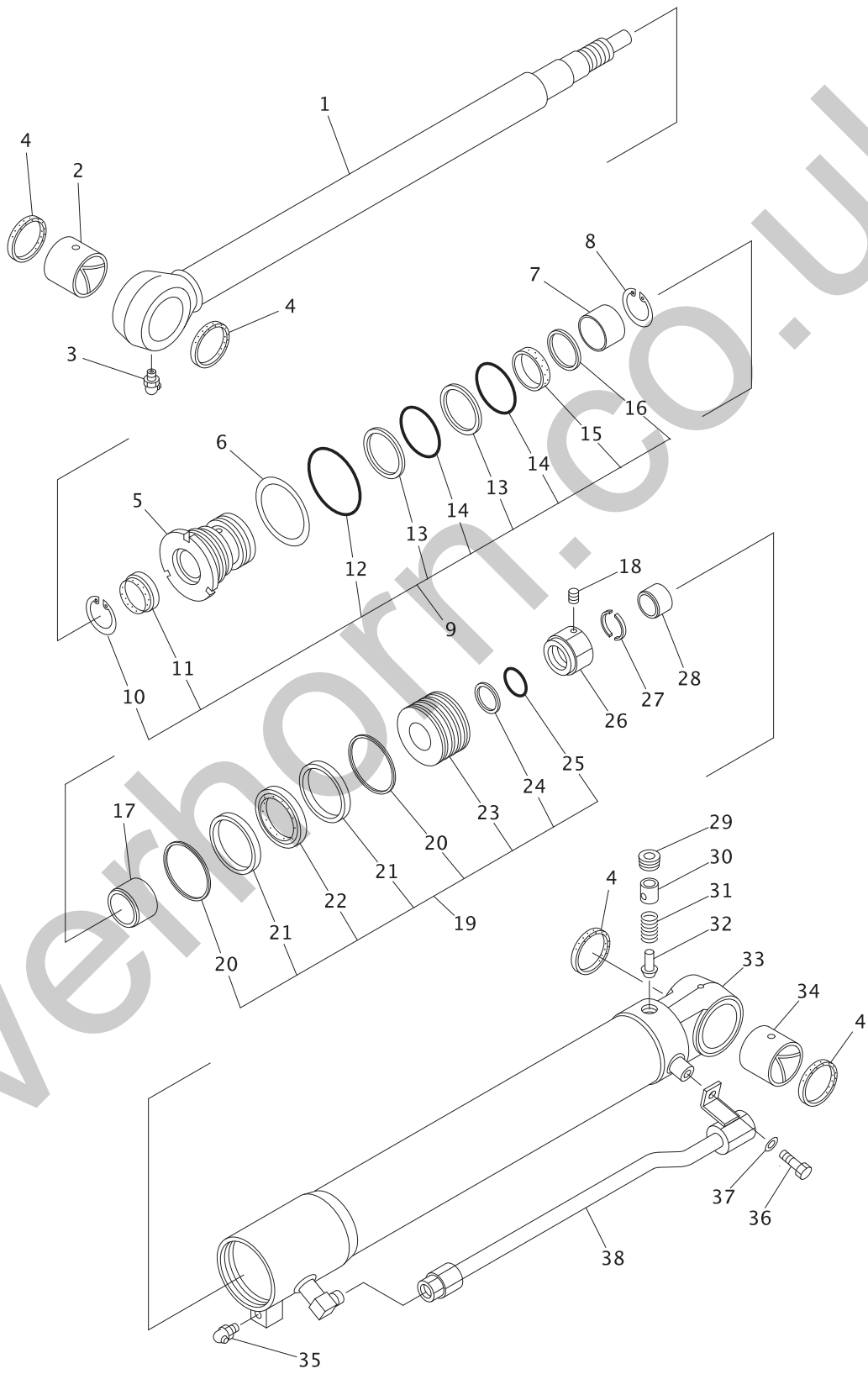
[Memo]

Silverhorn.CO.UK



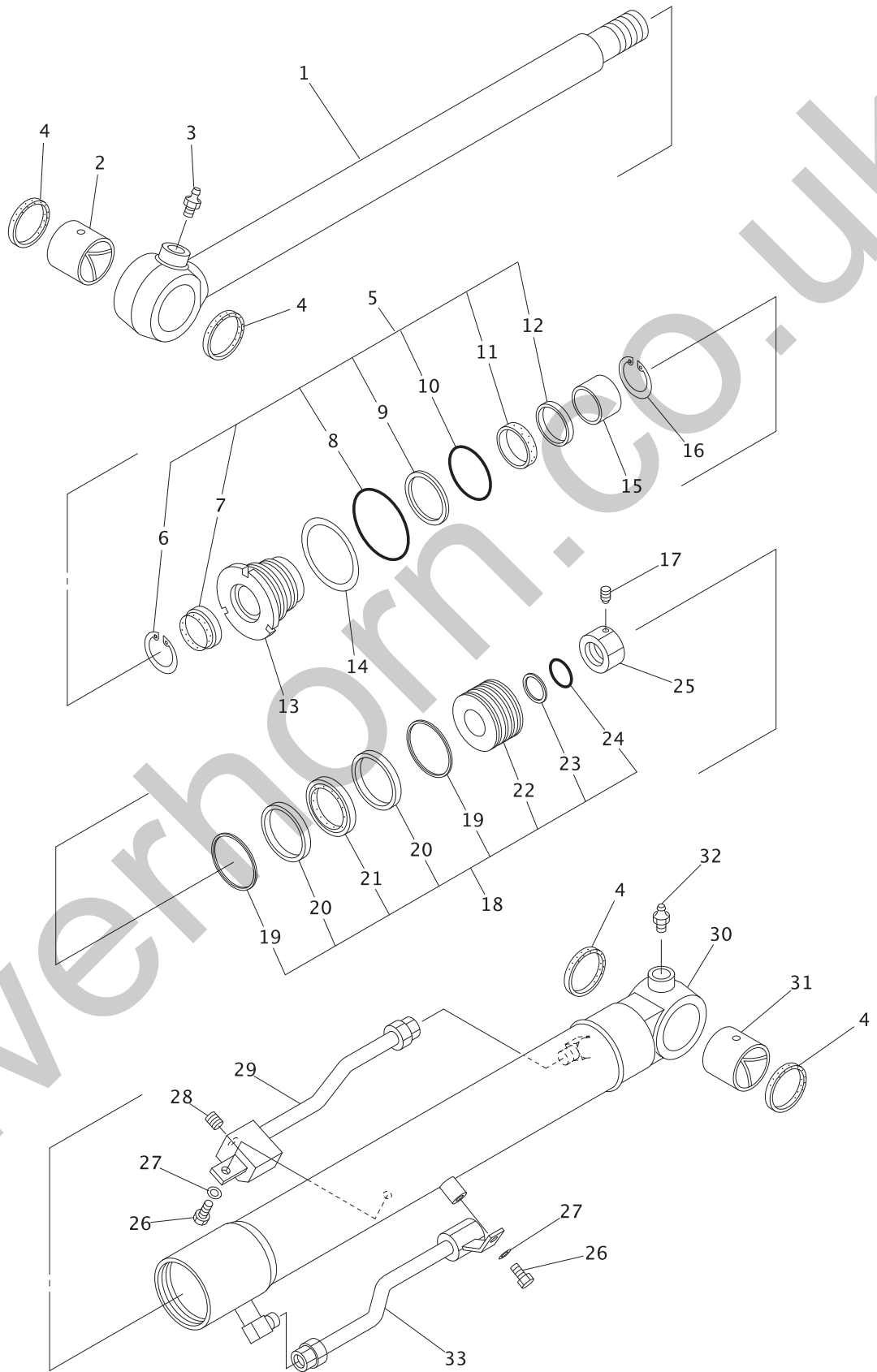
0782313UA-1-0

KEY No.	SU P.	PART No.	DESCRIPTION	Q'TY	CHAN	SERIAL No.	REMARKS
0		0782 313 UA	Cylinder Ass'y, Boom	1		WK002001-	
0-1		0782 417 UA	Cylinder Ass'y, Boom	1		WK002001-	For Ital Cab
1		0782 313 92	*Rod Ass'y, Piston	1		WK002001-	
2		0782 313 02	**Bushing	1		WK002001-	
3		0728 111 15	**Nipple, Grease	1		WK002001-	PT1/8
4		0782 313 28	*Seal, Dust	4		WK002001-	
5		0782 313 05	*Head, Cylinder	1		WK002001-	
6		0782 313 14	*Washer	1		WK002001-	
7		0618 175 30	*Bushing	1		WK002001-***	
7		0782 313 06	*Bushing	1	○	***-	
8		0493 710 82	*Ring, Snap	1		WK002001-	d=82
9		0782 313 93	*Kit, Seal	1		WK002001-	
10	×	0782 313 10	**Ring, Wiper	1		WK002001-	
11	×	0760 716 25	**Ring, O	1		WK002001-	G125-90B
12	×	0782 313 12	**Ring, Back-up	2		WK002001-	
13	×	0760 716 20	**Ring, O	2		WK002001-	G120-90B
14	×	0764 109 06	**Ring, U	1		WK002001-	
15	×	0782 313 08	**Ring, Buffer	1		WK002001-	
16		0561 080 16	*Screw, Set	1		WK002001-	M8X16
17		0782 313 15	*Bearing, Cushion	1		WK002001-	
18		0782 313 94	*Piston Ass'y	1		WK002001-	
19		0782 313 19	**Ring, Wiper	1		WK002001-	
20		0782 313 18	**Ring, Slide	2		WK002001-	
21		0782 313 17	**Ring Ass'y, Seal	1		WK002001-	
22	×	0782 313 16	**Piston	1		WK002001-	
23		0782 313 21	**Ring, Back-up	1		WK002001-	
24		0782 313 20	**Ring, O	1		WK002001-	
25		0782 313 22	*Nut	1		WK002001-	
25-1		0782 417 22	*Nut	1		WK002001-	For Ital Cab
26		0513 100 20	*Bolt, Treatment	2		WK002001-	M10X20
27		0593 100 00	*Washer, Flat	2		WK002001-	M10
28		0782 313 25	*Pipe Ass'y	1		WK002001-	
28-1		0782 417 25	*Pipe Ass'y	1		WK002001-	For Ital Cab
29		0782 313 91	*Tube Ass'y, Cylinder	1		WK002001-	
29-1		0782 417 91	*Tube Ass'y, Cylinder	1		WK002001-	For Ital Cab
30		0782 313 02	**Bushing	1		WK002001-	
31		0728 111 15	**Nipple, Grease	1		WK002001-	PT1/8
32		0782 313 24	*Pipe Ass'y	1		WK002001-	



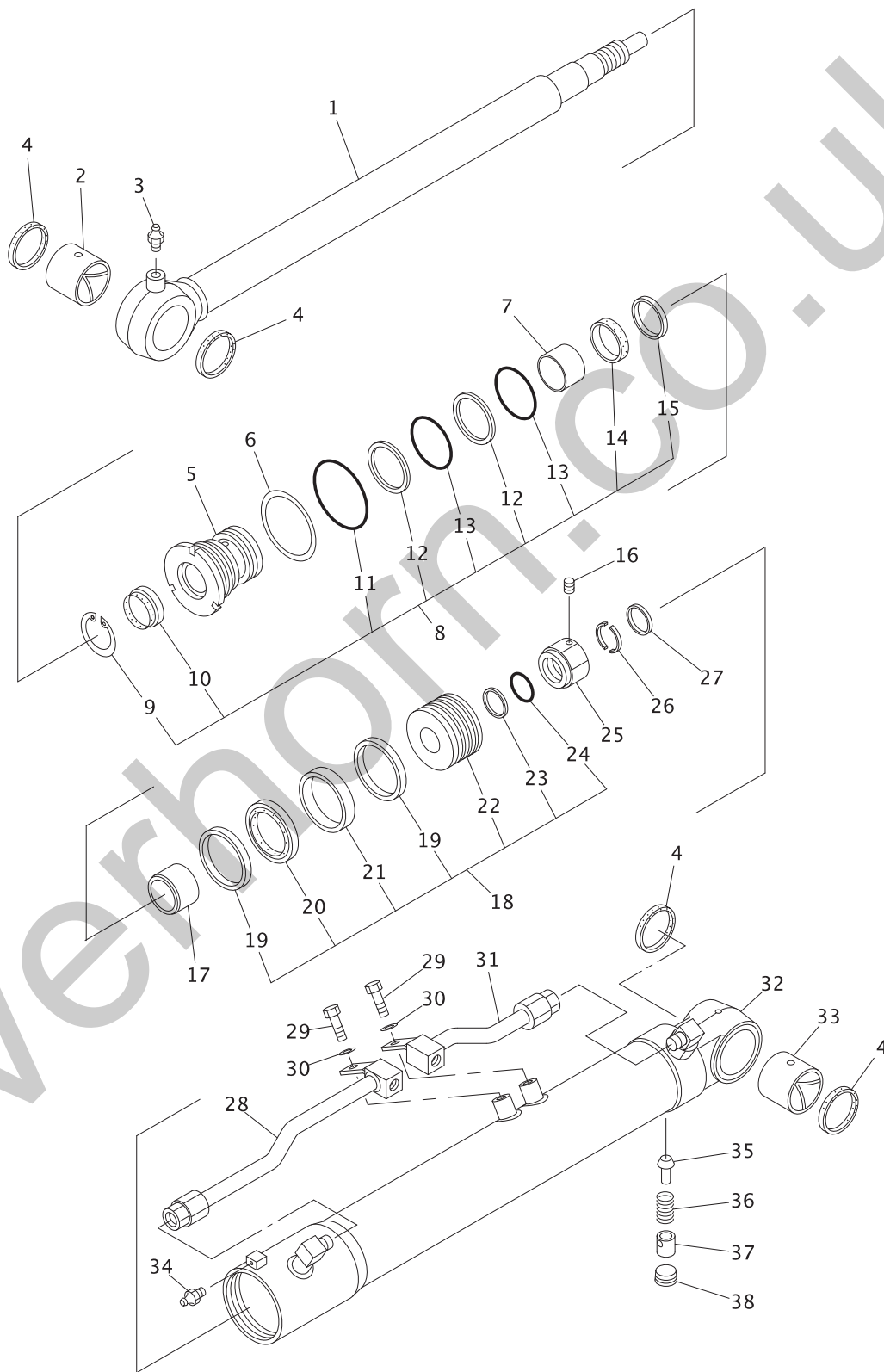
0782317UA-1-0

KEY No.	SU P.	PART No.	DESCRIPTION	Q'TY	CHAN	SERIAL No.	REMARKS
0		0782 317 UA	Cylinder Ass'y, Arm	1		WK002001-	
1		0782 317 92	*Rod Ass'y, Piston	1		WK002001-	
2		0782 317 02	**Bushing	1		WK002001-	
3		0728 111 65	**Nipple, Grease	1		WK002001-	PT1/8X90
4		0782 317 35	*Seal, Dust	4		WK002001-	
5		0782 317 05	*Head, Cylinder	1		WK002001-	
6		0782 317 15	*Washer	1		WK002001-	
7		0618 165 30	*Bushing	1		WK002001-***	
7		0782 317 06	*Bushing	1	○	** *-	
8		0493 710 72	*Ring, Snap	1		WK002001-	d=72
9		0782 317 93	*Kit, Seal	1		WK002001-	
10	×	0493 710 82	**Ring, Snap	1		WK002001-	d=82
11	×	0782 317 10	**Ring, Wiper	1		WK002001-	
12	×	0760 716 05	**Ring, O	1		WK002001-	G105-90B
13	×	0782 317 13	**Ring, Back-up	2		WK002001-	
14	×	0760 716 00	**Ring, O	2		WK002001-	G100-90B
15	×	0764 023 65	**Ring, U	1		WK002001-	
16	×	0782 317 08	**Ring, Buffer	1		WK002001-	
17		0782 317 16	*Bearing, Cushion	1		WK002001-	
18		0561 080 16	*Screw, Set	1		WK002001-	M8X16
19		0782 317 94	*Piston Ass'y	1		WK002001-	
20		0782 317 20	**Ring, Wiper	2		WK002001-	
21		0782 317 19	**Ring, Slide	2		WK002001-	
22		0782 317 18	**Ring Ass'y, Seal	1		WK002001-	
23	×	0782 317 17	**Piston	1		WK002001-	
24		0782 317 22	**Ring, Back-up	1		WK002001-	
25		0782 317 21	**Ring, O	1		WK002001-	
26		0782 317 23	*Nut	1		WK002001-	
27		0782 317 26	*Stopper	1		WK002001-	
28		0782 317 25	*Bearing, Cushion	1		WK002001-	
29		0710 200 10	*Plug	1		WK002001-	
30		0782 317 29	*Support, Spring	1		WK002001-	
31		0782 317 28	*Spring	1		WK002001-	
32		0782 317 27	*Valve, Check	1		WK002001-	
33		0782 317 91	*Tube Ass'y, Cylinder	1		WK002001-	
34		0782 317 02	**Bushing	1		WK002001-	
35		0728 111 65	**Nipple, Grease	1		WK002001-	PT1/8X90
36		0513 100 20	*Bolt, Treatment	1		WK002001-	M10X20
37		0593 100 00	*Washer, Flat	1		WK002001-	M10
38		0782 317 31	*Pipe Ass'y	1		WK002001-	



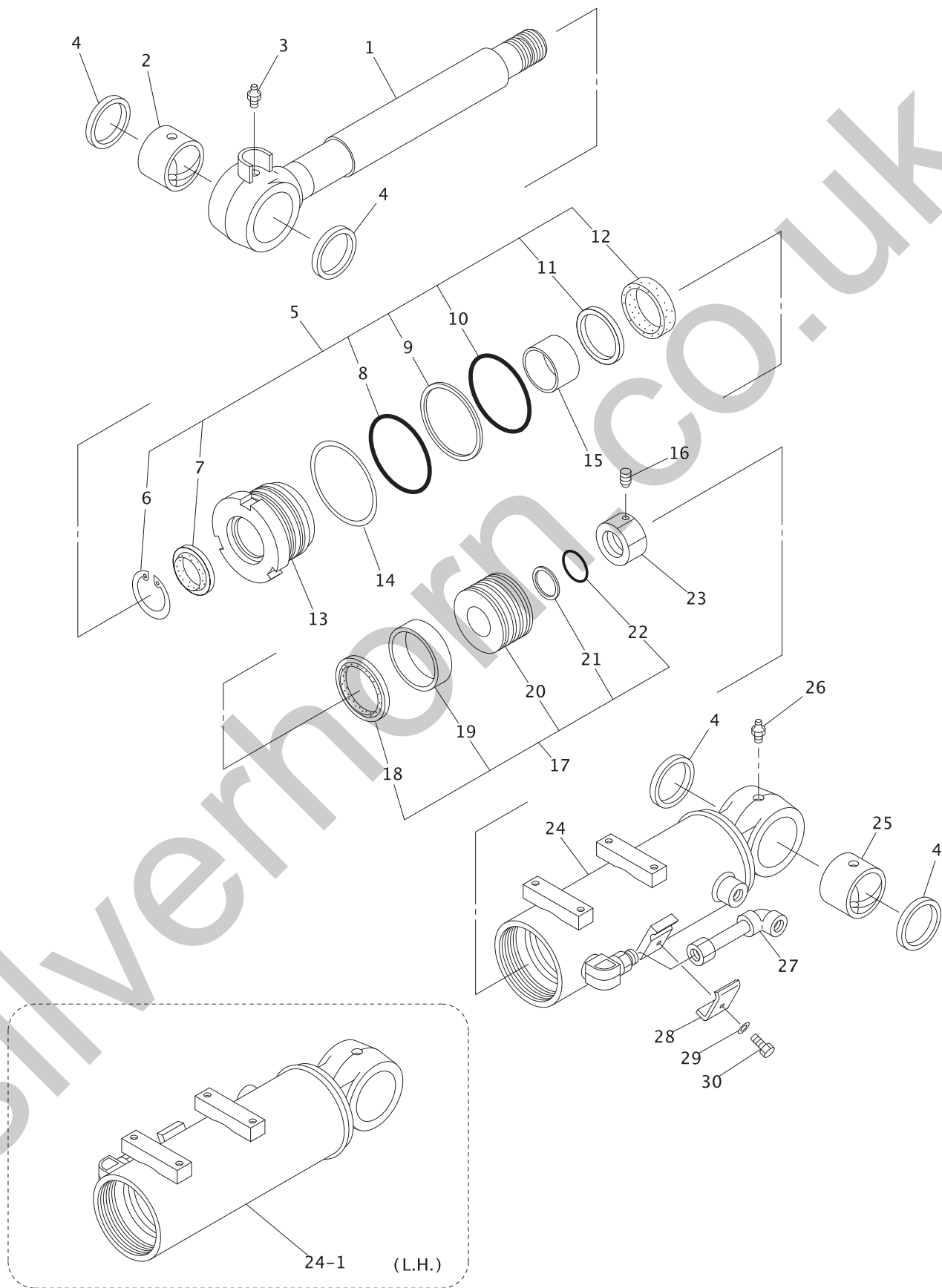
0782316UA-1-0

KEY No.	SU P.	PART No.	DESCRIPTION	Q'TY	CHAN	SERIAL No.	REMARKS
0		0782 316 UA	Cylinder Ass'y, Bucket	1		WK002001-	
1		0782 316 92	*Rod Ass'y, Piston	1		WK002001-	
2	×	0752 316 02	**Bushing	1		Not for use	
2		0782 316 02	**Bushing	1		WK002001-	
3		0728 111 15	**Nipple, Grease	1		WK002001-	PT1/8
4		0782 316 29	*Seal, Dust	4		WK002001-	
5		0782 316 93	*Kit, Seal	1		WK002001-	
6	×	0493 710 62	**Ring, Snap	1		WK002001-	d=62
7	×	0782 316 10	**Ring, Wiper	1		WK002001-	
8	×	0760 715 90	**Ring, O	1		WK002001-	G90-90B
9	×	0782 316 13	**Ring, Back-up	1		WK002001-	
10	×	0760 715 85	**Ring, O	1		WK002001-	G85-90B
11	×	0782 316 09	**Ring, U	1		WK002001-	
12	×	0782 316 08	**Ring, Buffer	1		WK002001-	
13		0782 316 05	*Head, Cylinder	1		WK002001-	
14		0782 316 15	*Washer	1		WK002001-	
15		0618 150 30	*Bushing	1		WK002001-***	
15		0782 316 06	*Bushing	1	○	***-	
16		0493 710 55	*Ring, Snap	1		WK002001-	d=55
17		0561 080 16	*Screw, Set	1		WK002001-	M8X16
18		0782 316 94	**Piston Ass'y	1		WK002001-	
19		0782 316 19	**Ring, Wiper	2		WK002001-	
20		0782 316 18	**Ring, Slide	2		WK002001-	
21		0782 316 17	**Ring Ass'y, Seal	1		WK002001-	
22	×	0782 316 16	**Piston	1		WK002001-	
23		0782 316 21	**Ring, Back-up	1		WK002001-	
24		0760 715 40	**Ring, O	1		WK002001-	G40-90B
25		0782 316 22	*Nut	1		WK002001-	
26		0513 100 20	*Bolt, Treatment	2		WK002001-	M10X20
27		0593 100 00	*Washer, Flat	2		WK002001-	M10
28		0710 200 10	*Plug	1		WK002001-	
29		0782 316 24	*Pipe Ass'y	1		WK002001-	
30	△	0782 316 91	*Tube Ass'y, Cylinder	1		WK002001-	
31		0782 316 02	**Bushing	1		WK002001-	
32		0728 111 15	**Nipple, Grease	1		WK002001-	PT1/8
33		0782 316 25	*Pipe Ass'y	1		WK002001-	



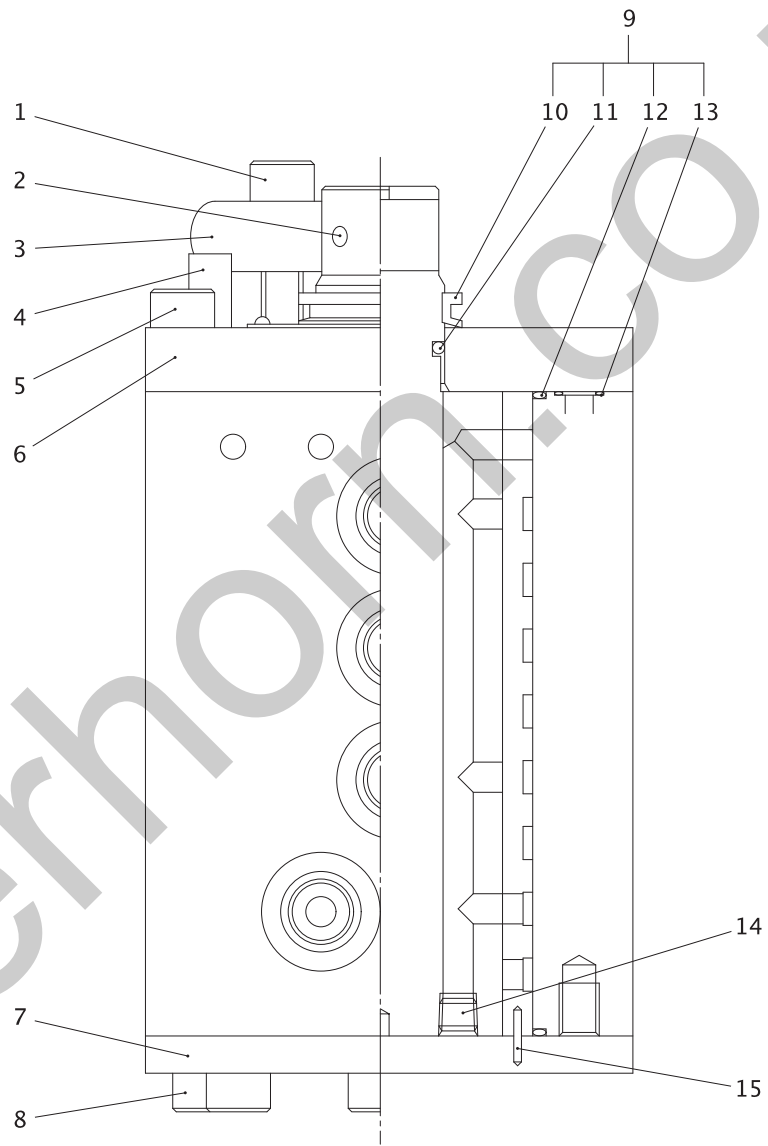
0782312UA-1-0

KEY No.	SU P.	PART No.	DESCRIPTION	Q'TY	CHAN	SERIAL No.	REMARKS
0		0782 312 UA	Cylinder Ass'y, Boom Swing	1		WK002001-	
1		0782 312 92	*Rod Ass'y, Piston	1		WK002001-	
2		0782 317 02	**Bushing	1		WK002001-	
3		0728 111 15	*Nipple, Grease	1		WK002001-	PT1/8
4		0782 317 35	*Seal, Dust	4		WK002001-	
5		0782 312 05	*Head, Cylinder	1		WK002001-	
6		0782 312 14	*Washer	1		WK002001-	
7		0618 160 30	*Bushing	1		WK002001-* * *	
7		0782 312 06	*Bushing	1	○	* * *-	
8		0782 312 93	*Kit, Seal	1		WK002001-	
9	×	0493 710 76	**Ring, Snap	1		WK002001-	d=76
10	×	0782 312 09	**Ring, Wiper	1		WK002001-	
11	×	0760 716 10	**Ring, O	1		WK002001-	G110-90B
12	×	0782 312 12	**Ring, Back-up	2		WK002001-	
13	×	0760 716 05	**Ring, O	2		WK002001-	G105-90B
14	×	0782 312 07	**Ring, U	1		WK002001-	
15	×	0782 312 08	**Ring, Back-up	1		WK002001-	
16		0561 080 16	*Screw, Set	1		WK002001-	M8X16
17		0782 312 15	*Bearing, Cushion	1		WK002001-	
18		0782 312 94	*Piston Ass'y	1		WK002001-	
19		0782 312 19	**Ring, Wiper	2		WK002001-	
20		0782 312 17	**Ring Ass'y, Seal	1		WK002001-	
21		0782 312 18	**Ring, Slide	1		WK002001-	
22	×	0782 312 16	**Piston	1		WK002001-	
23		0782 312 21	**Ring, Back-up	1		WK002001-	
24		0760 715 45	**Ring, O	1		WK002001-	G45-90B
25		0782 312 22	*Nut	1		WK002001-	
26		0782 317 26	*Stopper	1		WK002001-	
27		0782 317 25	*Seal, Cushion	1		WK002001-	
28		0782 312 31	*Pipe Ass'y	1		WK002001-	
29		0513 100 20	*Bolt, Treatment	2		WK002001-	M10X20
30		0593 100 00	*Washer, Flat	2		WK002001-	M10
31		0782 312 30	*Pipe Ass'y	1		WK002001-	
32		0782 312 91	*Tube Ass'y, Cylinder	1		WK002001-	
33		0782 317 02	**Bushing	1		WK002001-	
34		0728 111 15	**Nipple, Grease	1		WK002001-	PT1/8
35		0782 312 26	*Valve, Check	1		WK002001-	
36		0782 317 28	*Spring	1		WK002001-	
37		0782 317 29	*Support, Spring	1		WK002001-	
38		0710 200 10	*Plug	1		WK002001-	



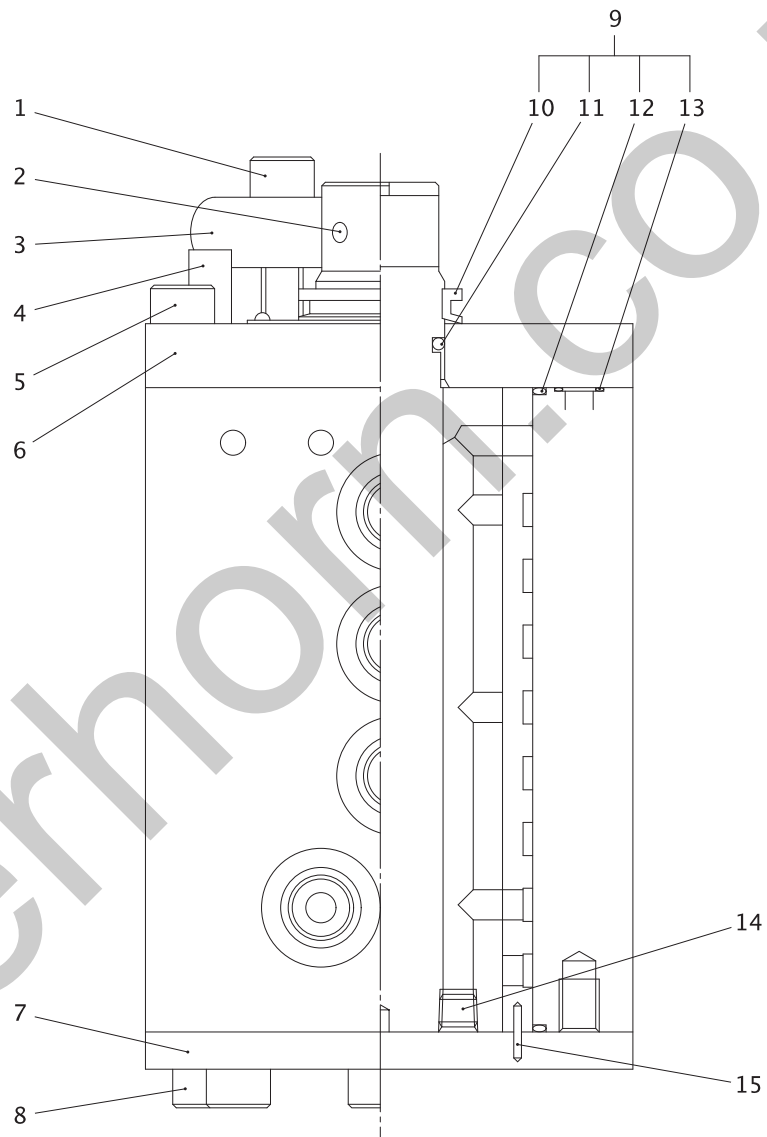
0782315UA-1-0

KEY No.	SU P.	PART No.	DESCRIPTION	Q'TY	CHAN	SERIAL No.	REMARKS
0		0782 315 UA	Cylinder Ass'y, Blade (R.H.)	1		WK002001-	
0-1		0782 314 UA	Cylinder Ass'y, Blade (L.H.)	1		WK002001-	
1		0782 315 92	*Rod Ass'y, Piston	1		WK002001-	
2		0782 315 02	**Bushing	1		WK002001-	
3		0728 111 15	**Nipple, Grease	1		WK002001-	PT1/8
4		0782 315 26	*Ring, Wiper	4		WK002001-	
5		0782 315 93	*Kit, Seal	1		WK002001-	
6	×	0493 710 60	**Ring, Snap	1		WK002001-	d=60
7	×	0782 315 09	**Ring, Wiper	1		WK002001-	
8	×	0760 715 90	**Ring, O	1		WK002001-	G90-90B
9	×	0782 316 13	**Ring, Back-up	1		WK002001-	
10	×	0760 715 85	**Ring, O	1		WK002001-	G85-90B
11	×	0782 315 08	**Ring, Back-up	1		WK002001-	
12	×	0782 315 07	**Ring, U	1		WK002001-	
13		0782 315 05	*Head, Cylinder	1		WK002001-	
14		0782 316 15	*Washer	1		WK002001-	
15		0618 145 25	*Bushing	1		WK002001-***	
15		0782 314 06	*Bushing	1	○	***-	
16		0561 080 16	*Screw, Set	1		WK002001-	M8X16
17		0782 315 94	*Piston Ass'y	1		WK002001-	
18		0782 315 16	**Ring Ass'y, Seal	1		WK002001-	
19		0782 315 17	**Ring, Slide	1		WK002001-	
20	×	0782 315 15	**Piston	1		WK002001-	
21		0782 315 19	**Ring, Back-up	1		WK002001-	
22		0760 715 35	**Ring, O	1		WK002001-	G35-90B
23		0782 315 20	*Nut	1		WK002001-	
24	△	0782 315 91	*Tube Ass'y, Cylinder (R.H.)	1		WK002001-	
24-1	△	0782 314 91	*Tube Ass'y, Cylinder (L.H.)	1		WK002001-	
25		0782 315 02	**Bushing	1		WK002001-	
26		0728 111 15	**Nipple, Grease	1		WK002001-	PT1/8
27		0782 315 22	*Pipe Ass'y	1		WK002001-	
28		0782 315 23	*Holder, Pipe	1		WK002001-	
29		0590 100 00	*Washer, Lock	1		WK002001-	M10
30		0513 100 30	*Bolt, Treatment	1		WK002001-	M10X30



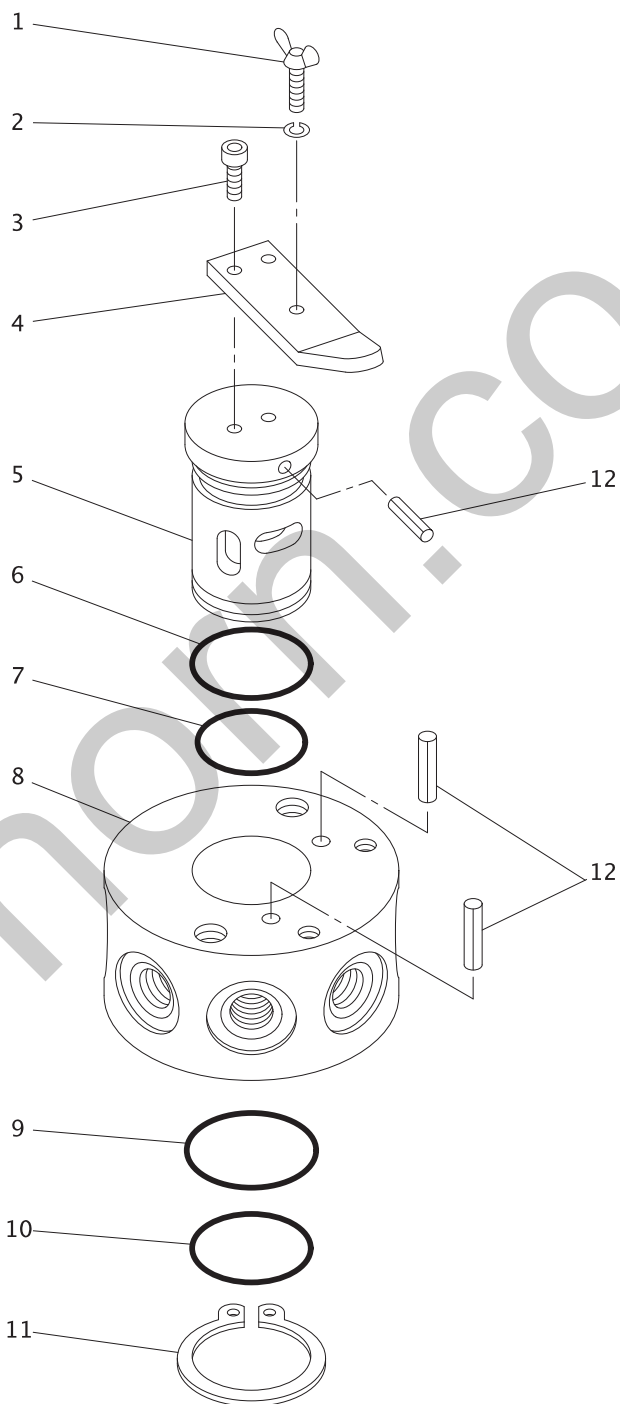
0783637UA-1-0

KEY No.	SU P.	PART No.	DESCRIPTION	Q'TY	CHAN	SERIAL No.	REMARKS
0		0783 637 UA	Valve Ass'y, Multiple (A-D Change)	1		WK002001-	
1		0783 640 09	*Bolt, Socket Head	1		WK002001-	M8X30
2		0494 606 25	*Pin, Spring	1		WK002001-	d=4X25
3		0783 637 05	*Lever	1		WK002001-	
4		0494 610 24	*Pin, Spring	2		WK002001-	d=8X24
5		0562 080 25	*Bolt, Socket Head	6		WK002001-	M8X25
6		0783 637 06	*Cover	1		WK002001-	
7		0783 637 04	*Cover	1		WK002001-	
8		0562 080 16	*Bolt, Socket Head	6		WK002001-	M8X16
9		0783 637 91	*Kit, Seal	1		WK002001-	
10	×	0756 863 09	**Seal, Oil	1		WK002001-	
11	×	0760 710 22	**Ring, O	1		WK002001-	P22-90B
12	×	0783 637 19	**Ring, O	2		WK002001-	S65-70B
13	×	0783 637 20	**Ring, O	8		WK002001-	S8-70B
14		0754 124 13	*Plug	8		WK002001-	
15		0783 637 16	*Roller, Needle	4		WK002001-	d=2X9.8



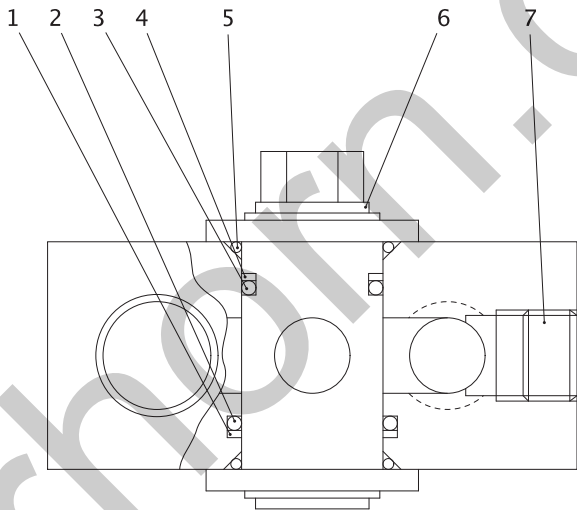
0783640UA-1-0

KEY No.	SU P.	PART No.	DESCRIPTION	Q'TY	CHAN	SERIAL No.	REMARKS
0		0783 640 UA	Valve Ass'y, Multiple (For A, B, G Change)	1		WK002001-	
1		0783 640 09	*Bolt, Socket Head	1		WK002001-	M8X30
2		0494 606 25	*Pin, Spring	1		WK002001-	d=4X25
3		0783 637 05	*Lever	1		WK002001-	
4		0494 610 24	*Pin, Spring	2		WK002001-	d=8X24
5		0562 080 25	*Bolt, Socket Head	6		WK002001-	M8X25
6		0783 640 06	*Cover	1		WK002001-	
7		0783 637 04	*Cover	1		WK002001-	
8		0562 080 16	*Bolt, Socket Head	6		WK002001-	M8X16
9		0783 637 91	*Kit, Seal	1		WK002001-	
10	×	0756 863 09	**Seal, Oil	1		WK002001-	
11	×	0760 710 22	**Ring, O	1		WK002001-	P22-90B
12	×	0783 637 19	**Ring, O	2		WK002001-	S65-70B
13	×	0783 637 20	**Ring, O	8		WK002001-	S8-70B
14		0754 124 13	*Plug	8		WK002001-	
15		0756 781 15	*Roller, Needle	4		WK002001-	d=2X9.8



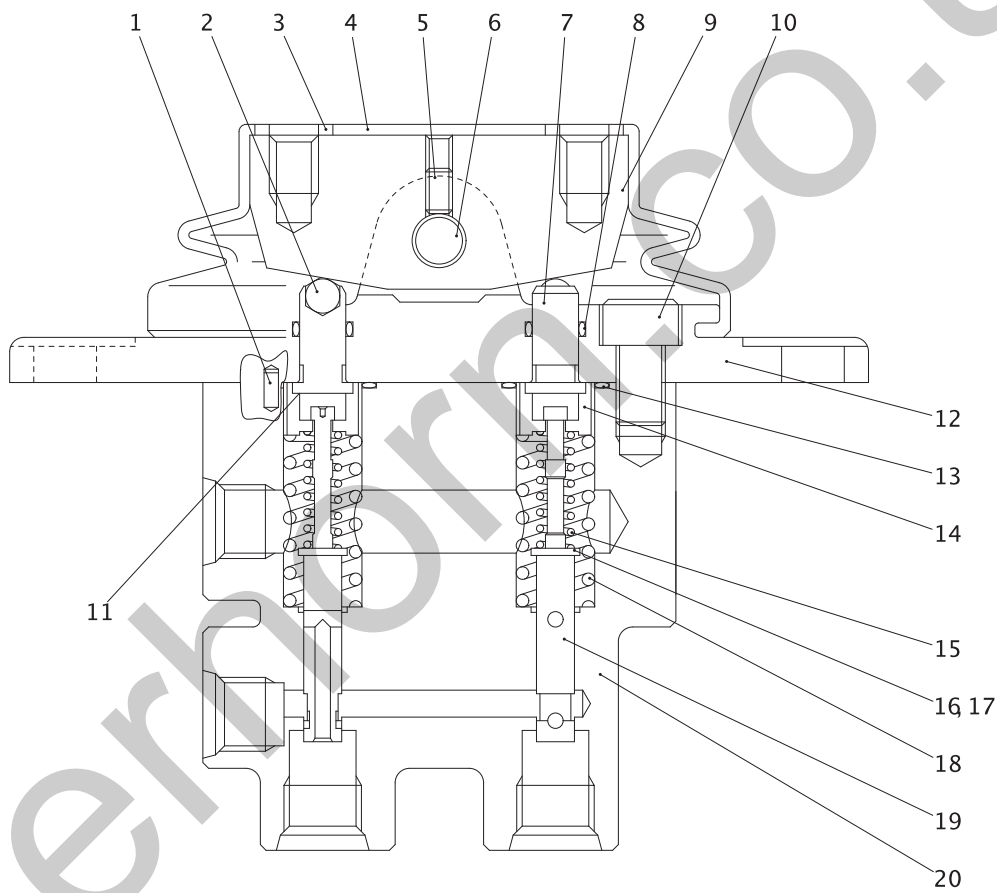
0756094UA-1-0

KEY No.	SU P.	PART No.	DESCRIPTION	Q'TY	CHAN	SERIAL No.	REMARKS
0		0756 094 UA	Valve Ass'y, Selector	1		WK002001-	
1		0756 094 04	*Bolt, Wing	1		WK002001-	
2		0590 050 00	*Washer, Lock	1		WK002001-	M5
3		0562 050 14	*Bolt, Socket Head	2		WK002001-	M5X14
4		0756 094 03	*Lever	1		WK002001-	
5		0756 094 02	*Rotor	1		WK002001-	
6		0756 094 08	*Ring, 0	1		WK002001-	
7		0756 094 07	*Ring, 0	1		WK002001-	
8		0756 094 01	*Body	1		WK002001-	
9		0756 094 06	*Ring, 0	1		WK002001-	
10		0756 094 05	*Ring, 0	1		WK002001-	
11		0493 510 30	*Ring, Snap	1		WK002001-	d=30
12		0494 606 12	*Pin, Spring	3		WK002001-	d=4X12



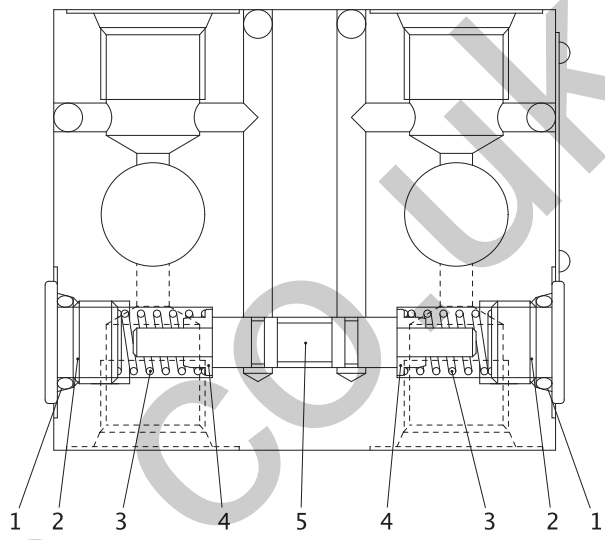
0754803UA-1-0

KEY No.	SU P.	PART No.	DESCRIPTION	Q'TY	CHAN	SERIAL No.	REMARKS
0		0754 803 UA	Manifold Ass'y	1		WK002001-	
0-1		0754 801 91	*Kit, Seal	1		WK002001-	
1	×	0762 120 32	**Ring, Back-up	1		WK002001-	P30-T2
2	×	0760 710 32	**Ring, O	1		WK002001-	P30-90B
3	×	0760 710 25	**Ring, O	1		WK002001-	P24-90B
4	×	0762 120 25	**Ring, Back-up	1		WK002001-	P24-T2
5	×	0760 715 30	**Ring, O	2		WK002001-	G30-90B
6		0493 510 25	*Ring, Snap	2		WK002001-	d=25
7		0710 201 04	*Plug	1		WK002001-	

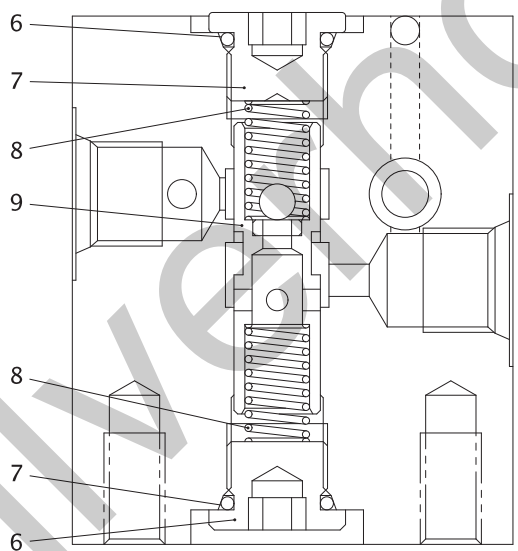


0783724UA-1-0

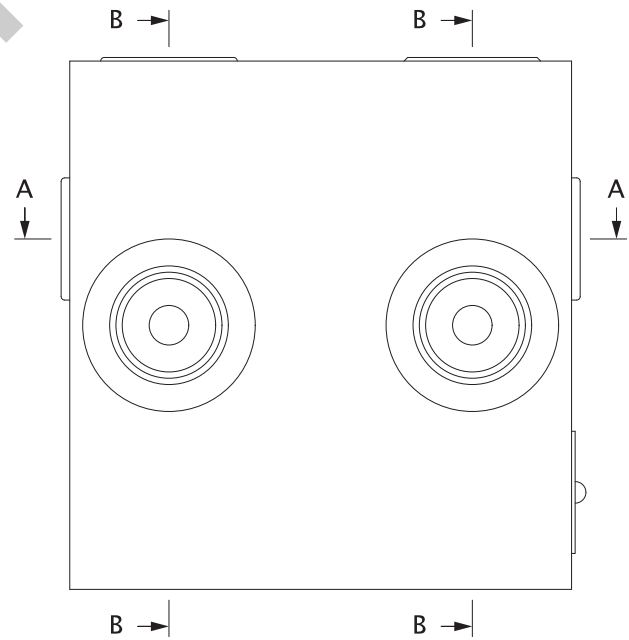
KEY No.	SU P.	PART No.	DESCRIPTION	Q'TY	CHAN	SERIAL No.	REMARKS
0		0783 724 UA	Valve Ass'y, Pilot	1		WK002001-	
1		0756 326 22	*Pin, Spring	2		WK002001-	d=3X6
2		0756 326 23	*Ball, Steel	2		WK002001-	d=6
3		0756 326 20	*Washer, Flat	2		WK002001-	M8
4		0756 326 10	*Boot	1		WK002001-	
5		0567 040 08	*Screw, Set	1		WK002001-	M4X8
6		0756 326 08	*Pin	1		WK002001-	
7		0756 326 04	*Pusher	2		WK002001-	
8	☆	0760 610 08	*Ring, O(P8-70B)	2		WK002001-	0760 710 08
9		0756 326 07	*Cam	1		WK002001-	
10		0562 080 16	*Bolt, Socket Head	2		WK002001-	M8X16
11		0756 326 11	*Shim	AR		WK002001-	t=0.1
11-1		0756 326 12	*Shim	AR		WK002001-	t=0.2
12		0756 326 03	*Cover	1		WK002001-	
13		0756 326 25	*Ring, O	2		WK002001-	S16-90B
14		0756 065 13	*Holder, Spring	2		WK002001-	
15		0756 326 13	*Spring	2		WK002001-	
16		0756 326 19	*Washer, Flat	2		WK002001-	M4
17		0756 326 06	*Shim	AR		WK002001-	t=0.1
17-1		0756 065 11	*Shim	AR		WK002001-	t=0.2
18		0756 326 09	*Spring	2		WK002001-	
19		0756 065 12	*Spool	2		WK002001-	
20		0783 724 01	*Body	1		WK002001-	



"A-A"断面
SECTION

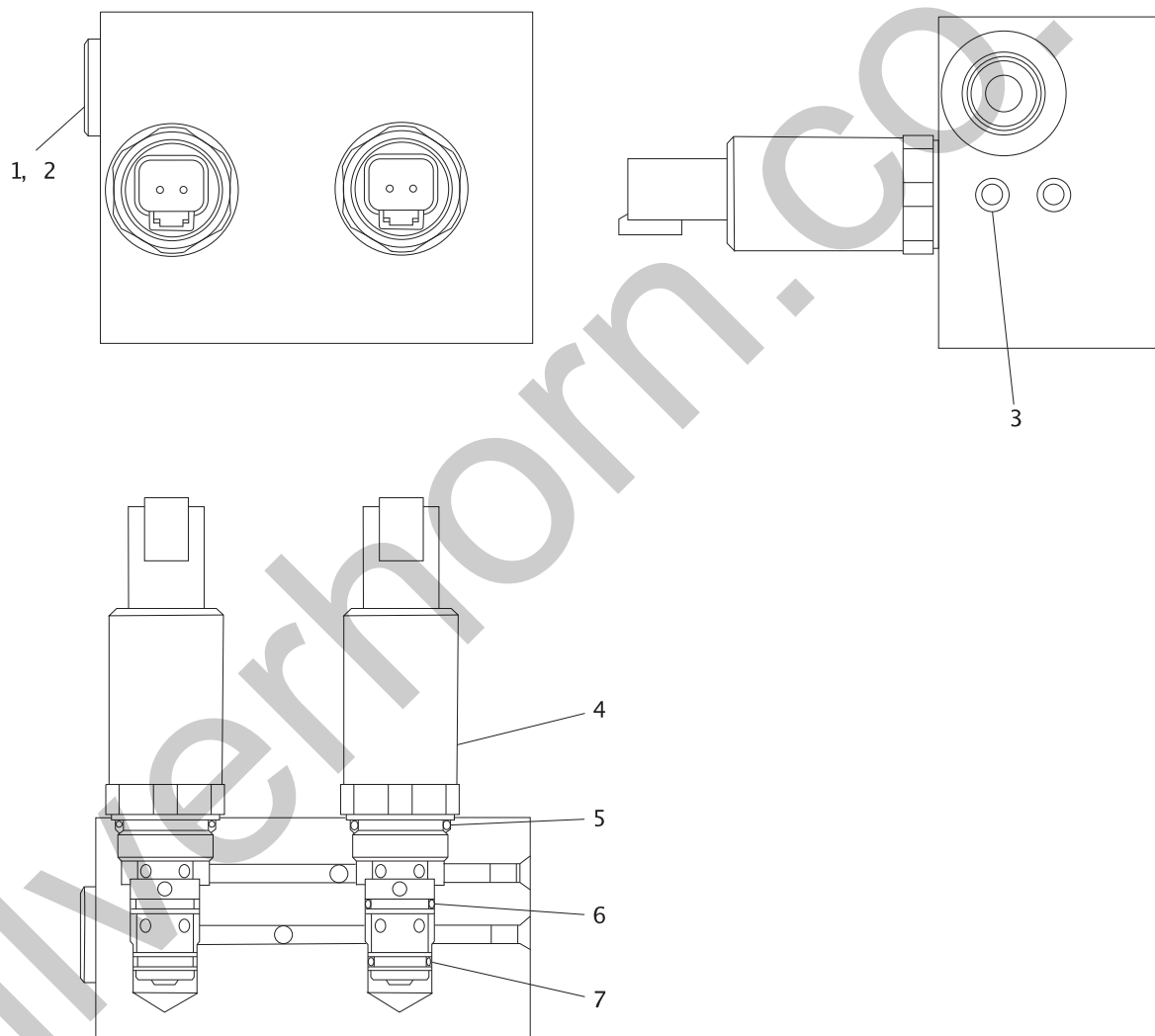


"B-B"断面
SECTION



0783664UA-1-0

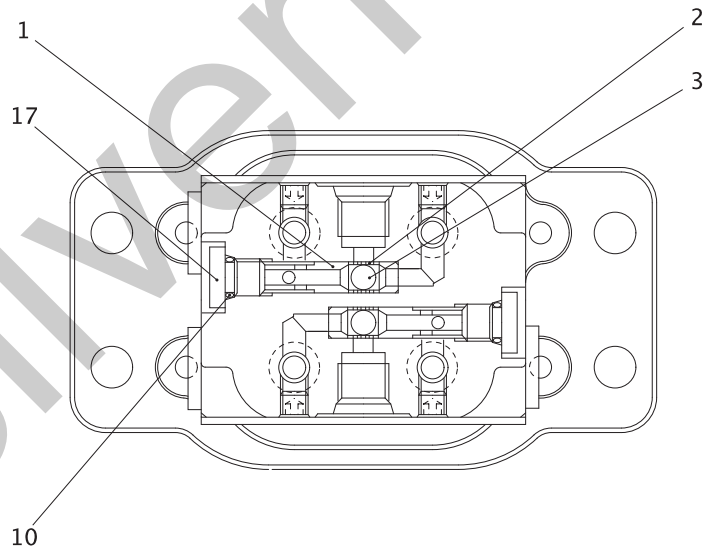
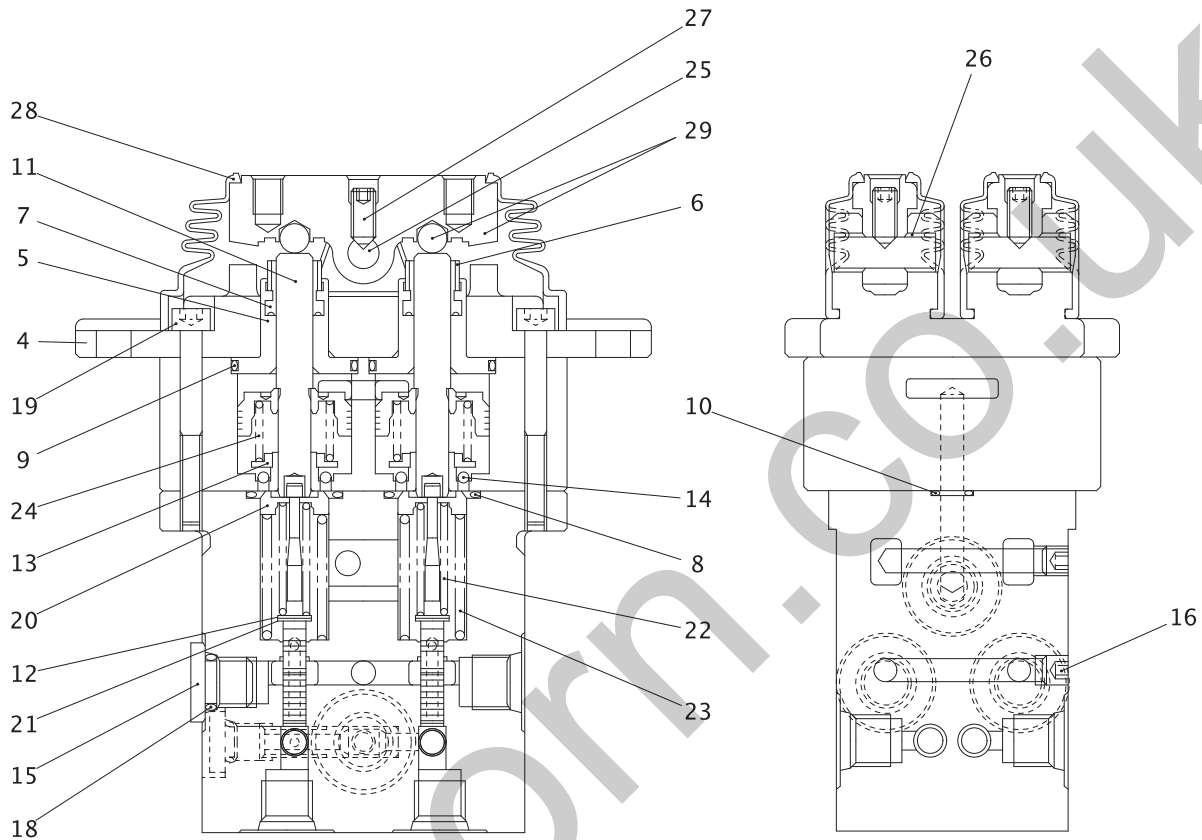
KEY No.	SU P.	PART No.	DESCRIPTION	Q'TY	CHAN	SERIAL No.	REMARKS
0		0783 664 UA	Valve Ass'y, Shockless	1		WK002001-	
1		0760 710 12	*Ring, 0	2		WK002001-	P11-90B
2		0754 309 10	*Plug	2		WK002001-	
3		0783 664 06	*Spring	2		WK002001-	
4		0783 664 09	*Retainer	2		WK002001-	
5		0783 664 05	*Spool	1		WK002001-	
6		0760 710 16	*Ring, 0	4		WK002001-	P14-90B
7		0756 925 50	*Plug	4		WK002001-	
8		0783 664 03	*Spring	4		WK002001-	
9		0783 664 18	*Plunger Ass'y	2		WK002001-	



80VX2-051700-1-0

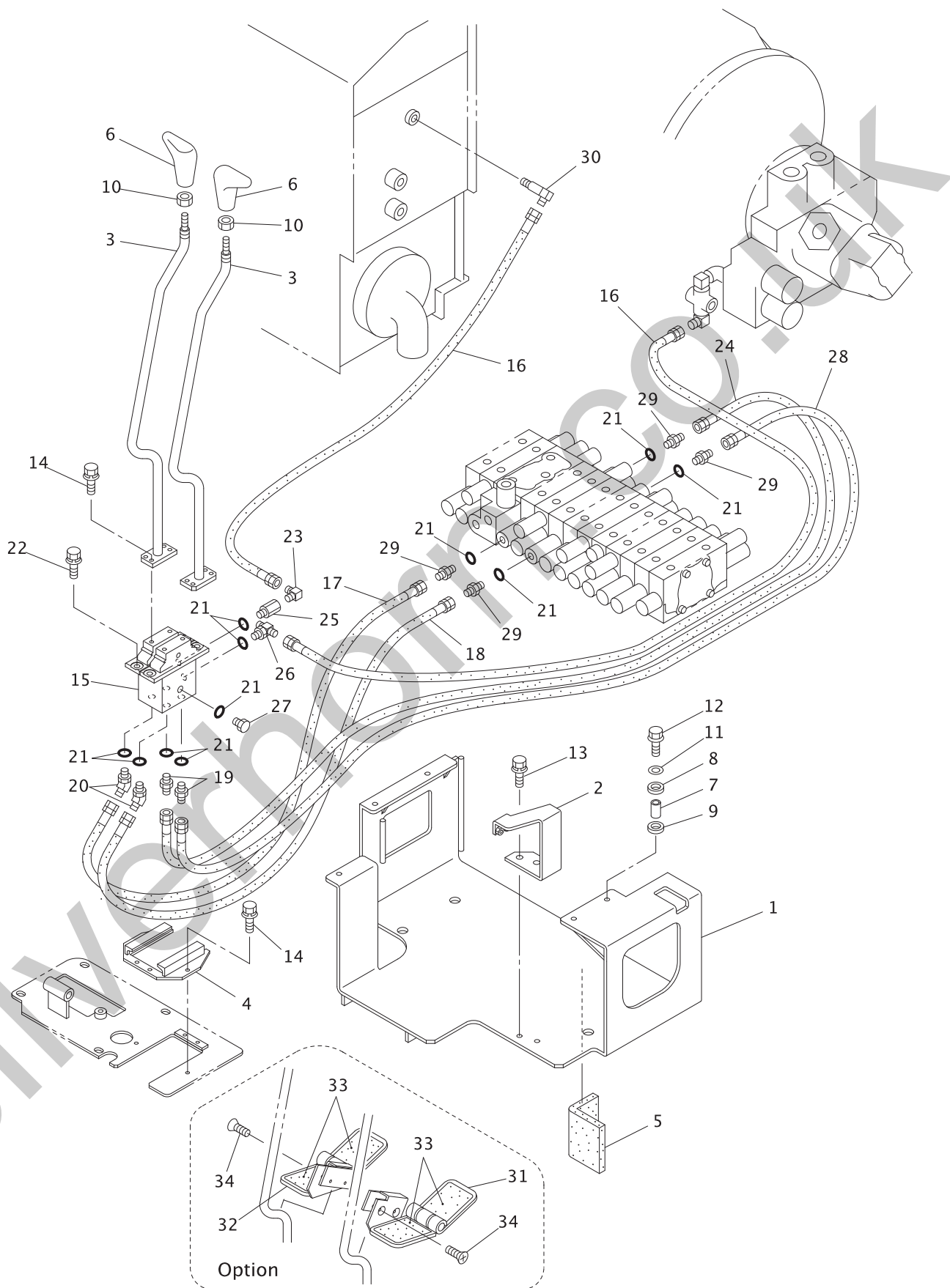
KEY No.	SU P.	PART No.	DESCRIPTION	Q'TY	CHAN	SERIAL No.	REMARKS
0	×	0785 155 UA	Valve Assy, Solenoid	1		WK002001-	
1		0756 939 14	*Plug	1		WK002001-	
2		0760 710 16	*Ring, 0	1		WK002001-	P14-90B
3		0750 295 24	*Plug	2		WK002001-	M5
4		0785 155 02	*Valve, Solenoid	2		WK002001-	
5		0785 155 04	*Ring, 0	1		WK002001-	
6		0760 310 14	*Ring, 0	1		WK002001-	014-90B
7		0785 155 03	*Ring, 0	1		WK002001-	

Silverhorn.CO.UK



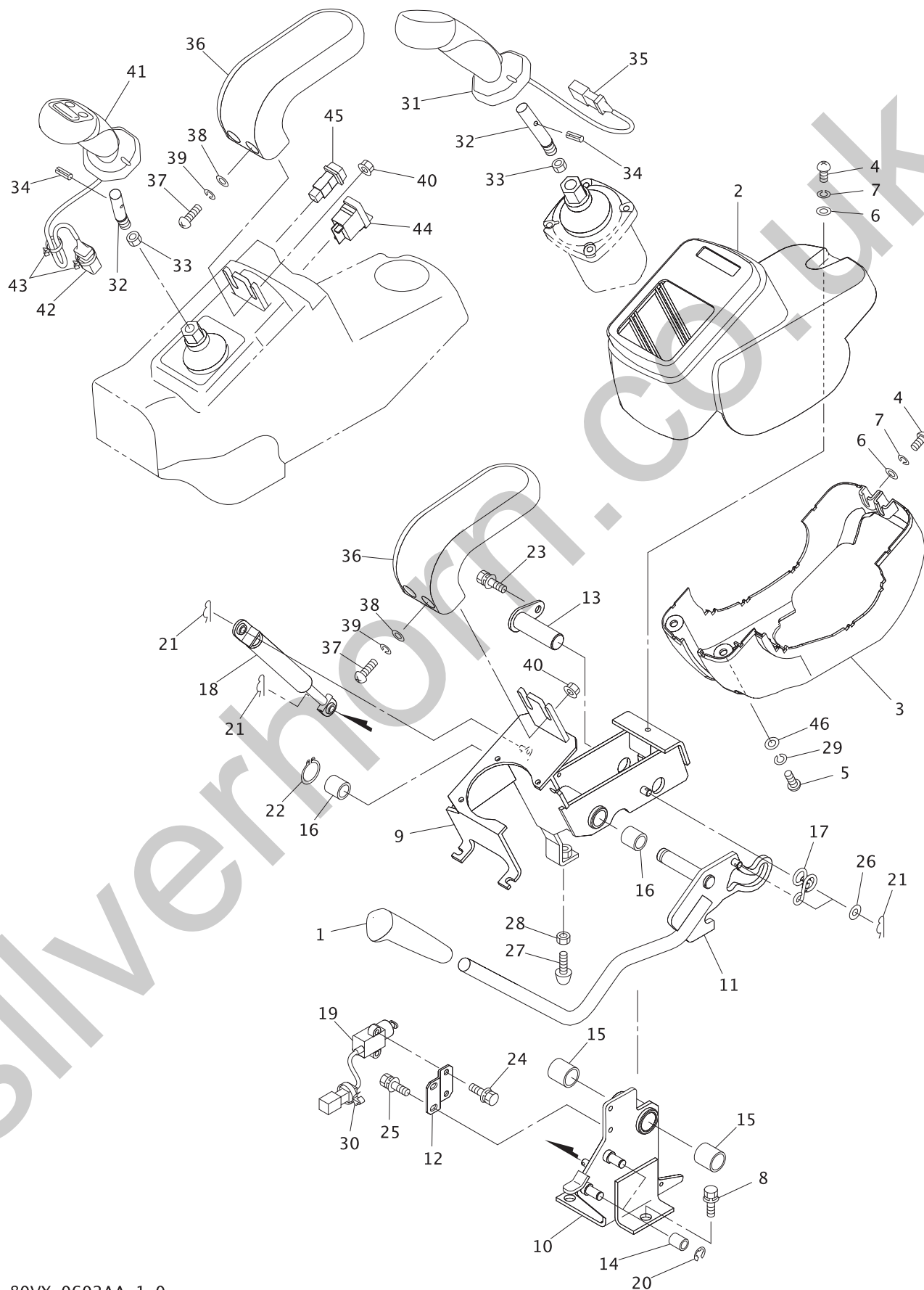
80VX-051800-1-0

KEY No.	SU P.	PART No.	DESCRIPTION	Q'TY	CHAN	SERIAL No.	REMARKS
0	×	0783 936 UA	Valve Ass'y, Pilot	1		WK004001-	
1		0783 951 01	*Seat	2		WK004001-	
2		0783 951 02	*Bushing	2		WK004001-	
3		0609 016 10	*Ball, Steel	2		WK004001-	d=1/4
4		0783 951 03	*Cover	2		WK004001-	
5		0783 951 04	*Plug	4		WK004001-	
6		0783 951 05	*Cap, Grease	4		WK004001-	
7		0783 951 06	*Packing	4		WK004001-	
8		0760 310 20	*Ring, O	4		WK004001-	020-90B
9		0760 310 25	*Ring, O	4		WK004001-	025-90B
10		0760 710 08	*Ring, O	4		WK004001-	P8-90B
11		0783 936 01	*Rod, Push	4		WK004001-	
12		0783 951 08	*Shim	4		WK004001-	
13		0783 951 09	*Seat, Spring	4		WK004001-	
14		0751 948 06	*Ball, Steel	12		WK004001-	
15		0756 357 03	*Plug	3		WK004001-	
16		0750 198 15	*Plug	6		WK004001-	
17		0783 920 06	*Plug	2		WK004001-	
18		0760 710 12	*Ring, O	3		WK004001-	P11-90B
19		0562 060 50	*Bolt, Socket Head	4		WK004001-	M6X50
20		0783 951 10	*Seat, Spring	4		WK004001-	
21		0783 951 11	*Washer	4		WK004001-	
22		0783 936 02	*Spring	4		WK004001-	
23		0783 951 13	*Spring	4		WK004001-	
24		0783 951 14	*Spring	4		WK004001-	
25		0783 951 15	*Shaft Cam	2		WK004001-	
26		0783 951 16	*Bushing	4		WK004001-	
27		0783 951 17	*Screw, Set	2		WK004001-	
28		0783 951 18	*Boot	2		WK004001-	
29		0783 951 91	*Cam Ass'y	2		WK004001-	



80VX-0601A0-1-0

KEY No.	SU P.	PART No.	DESCRIPTION	Q'TY	CHAN	SERIAL No.	REMARKS
0	×	F361 557 00	Lever Ass'y, Travel	1		WK004001-	
0-1	×	F342 331 00	Lever Ass'y, Travel	1		WK004001-	
1		D418 188 00	*Bracket	1		WK004001-	
2		D415 900 00	*Bracket	1		WK004001-	
3		D495 777 00	*Lever	2		WK004001-	
4		D418 178 00	*Bracket	1		WK004001-	
5		D433 103 00	*Plate, Rubber	1		WK004001-	
6		0690 283 72	*Grip	2		WK004001-	
7		D040 035 00	*Spacer	5		WK004001-	
8		4006 529 00	*Washer, Rubber	5		WK004001-	
9		D006 020 00	*Washer, Rubber	5		WK004001-	
10		0549 140 00	*Nut, Half	2		WK004001-	M14 P=1.5
11		4006 119 02	*Washer, Flat	5		WK004001-	M10
12		0520 100 40	*Bolt, Treatment (W/L.W)	5		WK004001-	M10×40 P=1.25
13		0518 100 25	*Bolt, Treatment (W/L.W, F.W)	2		WK004001-	M10X25 P=1.25
14		0517 080 20	*Bolt, Treatment (W/L.W, F.W)	6		WK004001-	M8X20
15	#	0783 936 UA	*Valve Ass'y, Pilot	1		WK004001-	Sh. No. 5-18
16		4070 548 03	*Hose Ass'y	2		WK004001-	L=1600
17		4070 548 60	*Hose Ass'y	1		WK004001-	L=370
17-1	☆	D406 499 04	*Plate, Name (T4)	2		WK004001-	D406 499 00
18		4070 548 60	*Hose Ass'y	1		WK004001-	L=370
18-1	☆	D406 499 02	*Plate, Name (T2)	2		WK004001-	D406 499 00
19		0713 700 70	*Adapter	2		WK004001-	
20		0710 121 00	*Elbow, 45	2		WK004001-	PF1/4XPF1/4
21		0760 710 12	*Ring, 0	12		WK004001-	P11-90B
22		0517 080 25	*Bolt, Treatment (W/L.W, F.W)	4		WK004001-	M8X25
23		0712 310 50	*Elbow	1		WK004001-	
24		4070 548 04	*Hose Ass'y	1		WK004001-	L=1800
24-1	☆	D406 499 03	*Plate, Name (T3)	2		WK004001-	D406 499 00
25		4072 401 00	*Connector	1		WK004001-	
26		0710 713 04	*Tee	1		WK004001-	
27		0710 212 04	*Plug	2		WK004001-	
28		4070 548 56	*Hose Ass'y	1		WK004001-	L=1570
28-1	☆	D406 499 01	*Plate, Name (T1)	2		WK004001-	D406 499 00
29		0713 700 02	*Adapter	4		WK004001-	
30		0712 318 03	*Elbow, Long	1		WK004001-	
31		D501 038 00	*Pedal (L.H.)	1		WK004001-	
32		D501 039 00	*Pedal (R.H.)	1		WK004001-	
33		D406 716 00	*Plate, Non-Slip	2		WK004001-	
34		D004 049 01	*Bolt, Flat Head	4		WK004001-	M8X35



80VX-0602AA-1-0

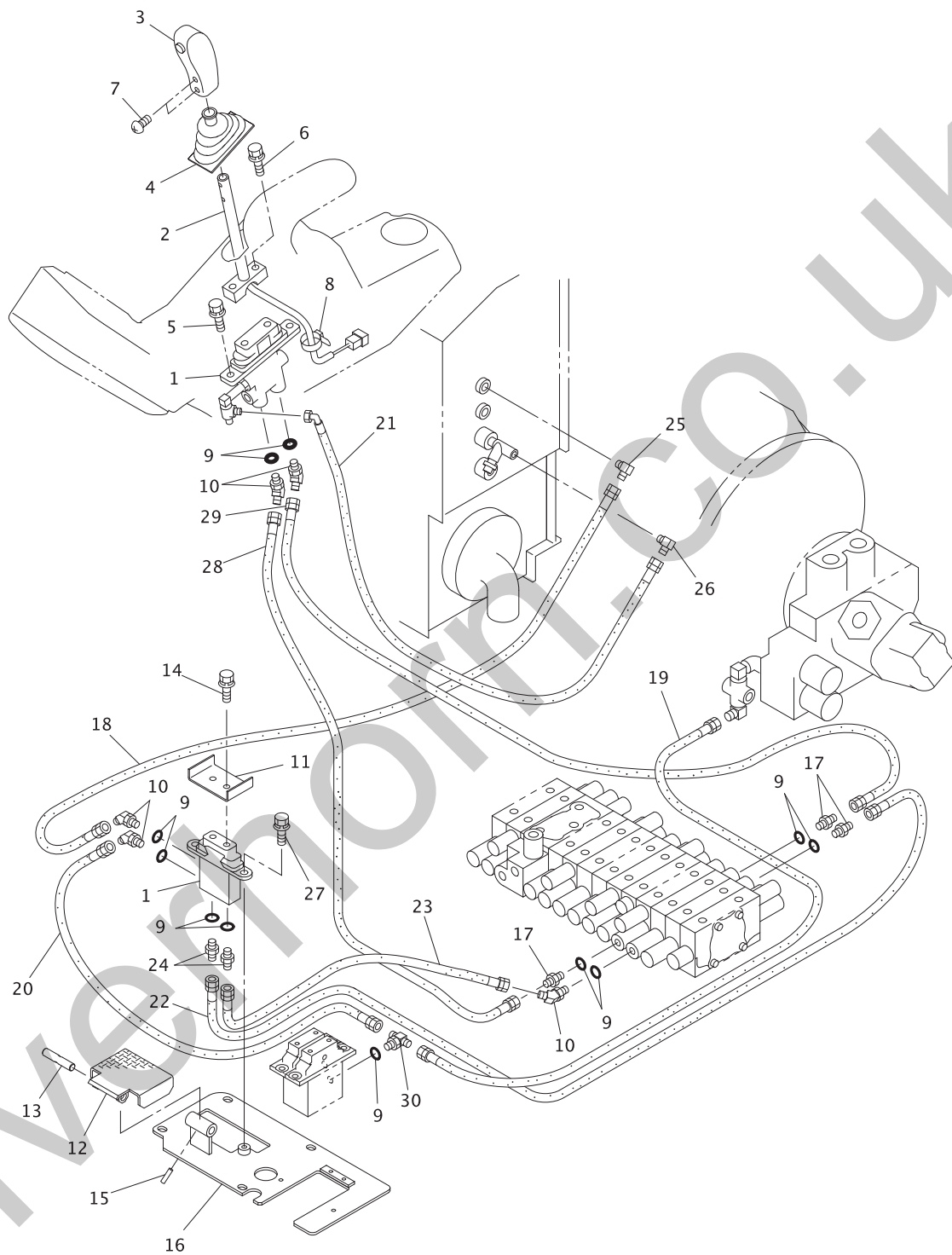
KEY No.	SU P.	PART No.	DESCRIPTION	Q'TY	CHAN	SERIAL No.	REMARKS
0	×	F361 557 00	Lever Ass'y, Control	1		WK004001-	
0-1	×	F361 554 00	Lever Ass'y, Control	1		WK004001-	
1		0690 283 86	*Grip	1		WK004001-	
2		D465 318 00	*Panel	1		WK004001-	
3		D465 319 00	*Panel	1		WK004001-	
4		4004 364 01	*Bolt, Button Head	3		WK004001-	M6X15
5		0565 060 25	*Screw, Pan Head	2		WK004001-	M6X25
6		0594 060 00	*Washer, Flat	3		WK004001-	M6
7		0596 060 00	*Washer, Lock	3		WK004001-	M6
8		0518 100 25	*Bolt, Treatment (W/L.W, F.W)	3		WK004001-	M10X25 P=1.25
9		D418 303 00	*Bracket	1		WK004001-	
10		D418 302 00	*Bracket	1		WK004001-	
11		D495 774 00	*Lever	1		WK004001-	
12		D418 190 00	*Bracket	1		WK004001-	
13		D017 225 00	*Pin	1		WK004001-	
14		4040 867 00	*Spacer	2		WK004001-	
15		0618 120 20	*Bushing	2		WK004001-	
16		0618 116 15	*Bushing	2		WK004001-	
17		D170 052 00	*Spring	1		WK004001-	
18		0652 253 UA	*Stay, Dumper	1		WK004001-	
19		0858 314 09	*Switch	1		WK004001-	
20		0493 560 07	*Ring, E	2		WK004001-	
21		4016 030 04	*Pin, Snap	4		WK004001-	
22		0493 510 16	*Ring, Snap	1		WK004001-	d=16
23		0517 080 20	*Bolt, Treatment (W/L.W, F.W)	1		WK004001-	M8X20
24		0517 060 16	*Bolt, Treatment (W/L.W, F.W)	2		WK004001-	M6X16
25		0517 060 12	*Bolt, Treatment (W/L.W, F.W)	2		WK004001-	M6X12
26		0590 080 00	*Washer, Flat	2		WK004001-	M8
27		0690 202 50	*Stopper	1		WK004001-	
28		0548 120 00	*Nut, Half	1		WK004001-	M12
29		0590 060 00	*Washer, Lock	2		WK004001-	M6
30		0690 082 08	*Band, Cable	1		WK004001-	
31		0690 283 85	*Grip	1		WK004001-	
32		D495 708 00	*Lever	2		WK004001-	
33		0548 140 00	*Nut, Half	2		WK004001-	M14
34		0494 608 40	*Pin, Spring	2		WK004001-	d=5×40
35		0820 514 UA	*Connector	1		WK004001-	Option
35-1		0820 067 03	*Band, Cable	1		WK004001-	
36		D480 008 00	*Rest, Arm	2		WK004001-	
37		4004 365 01	*Bolt, Button Head	4		WK004001-	M8X30
38		0594 080 00	*Washer, Flat	4		WK004001-	M8
39		0596 080 00	*Washer, Lock	4		WK004001-	M8
40		0521 080 00	*Nut, Hex..(W/F.W)	4		WK004001-	M8
41		0690 283 82	*Grip	1		WK004001-	

KEY No.	SU P.	PART No.	DESCRIPTION	Q'TY	CHAN .	SERIAL No.	REMARKS
41-1		0690 283 85	*Grip	1		WK004001-	Option
42		0820 513 UA	*Connector	1		WK004001-	
43		0690 082 08	*Clamp, Hose	2		WK004001-	
44		0858 314 33	*Switch	1		WF004001-	
44-1		D528 005 00	*Cap	1		WF004001-	
45		0858 314 35	*Switch	1		WF004001-	
45-1		D528 006 00	*Cap	1		WF004001-	
46		0593 060 00	*Washer, Flat	2		WK004001-	M6

Silverhorn.CO.UK

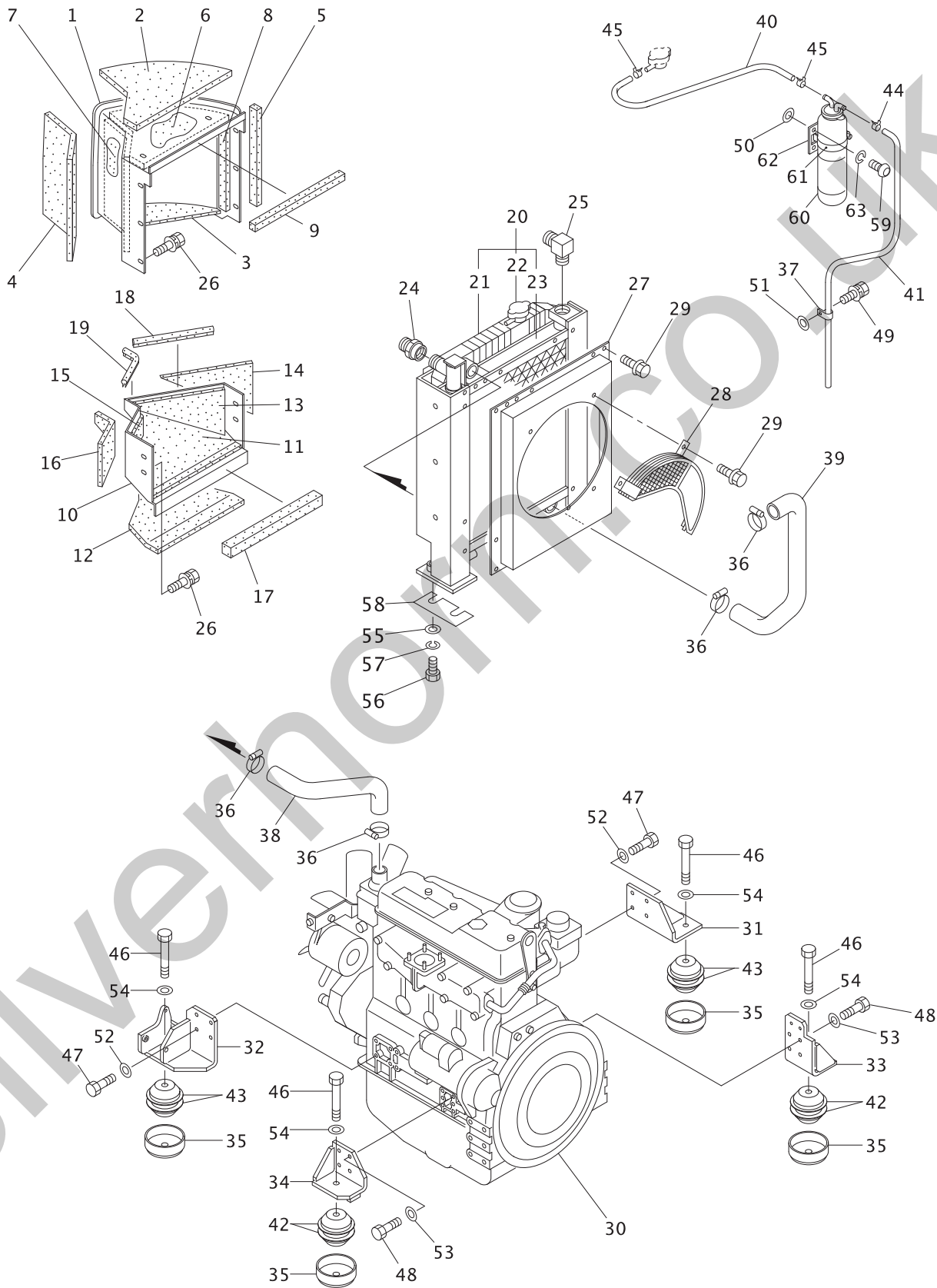
[Memo]

Silverhorn.CO.UK



80VX-0603A0-1-0

KEY No.	SU P.	PART No.	DESCRIPTION	Q'TY	CHAN	SERIAL No.	REMARKS
0	×	F361 557 00	Control Ass'y, Blade & Boom Swing	1		WK004001-	
0-1	×	F361 554 00	Control Ass'y, Blade & Boom Swing	1		WK004001-	
1	#	0783 724 UA	*Valve Ass'y, Pilot	2		WK004001-	Sh. No. 5-15
2		D495 775 00	*Lever	1		WK004001-	
3		0690 283 81	*Grip	1		WK004001-	
4		D181 002 00	*Boots	1		WK004001-	
5		0517 080 20	*Bolt, Treatment (W/L.W, F.W)	2		WK004001-	M8X20
6		0517 080 30	*Bolt, Treatment (W/L.W, F.W)	2		WK004001-	M8X30
7		0565 040 08	*Screw, Pan Head	2		WK004001-	M4X8
8		0820 067 03	*Band, Cable	1		WK004001-	
9		0760 710 12	*Ring, 0	11		WK004001-	P11-90B
10		0710 121 00	*Elbow, 45	5		WK004001-	
11		4501 623 00	*Pedal	1		WK004001-	
12		4475 665 00	*Guide	1		WK004001-	
13		4012 518 00	*Pin	1		WK004001-	
14		0517 080 16	*Bolt, Treatment (W/L.W, F.W)	2		WK004001-	M8X16
15		0494 609 26	*Pin, Spring	1		WK004001-	d=6X26
16		D418 189 00	*Bracket	1		WK004001-	
17		0713 700 02	*Adapter	3		WK004001-	
18		4070 548 20	*Hose Ass'y	1		WK004001-	L=1400
19		4070 548 03	*Hose Ass'y	1		WK004001-	L=1600
20		4070 548 27	*Hose Ass'y	1		WK004001-	L=600
21		4070 551 03	*Hose Ass'y	1		WK004001-	L=1580
21-1	☆	D407 818 04	*Plate, Name (BT)	2		WK004001-	D407 818 00
22		4070 548 05	*Hose Ass'y	1		WK004001-	L=1500
23		4070 548 16	*Hose Ass'y	1		WK004001-	L=850
24		0713 700 70	*Adapter	2		WK004001-	
25		0710 310 50	*Elbow	1		WK004001-	
26		0712 312 50	*Elbow, Reducer	1		WK004001-	PF1/4XPT3/8
27		0518 100 20	*Bolt, Treatment (W/L.W, F.W)	2		WK004001-	M10X20 P=1.25
28		4070 548 67	*Hose Ass'y	1		WK004001-	L=2500
28-1	☆	D407 818 01	*Plate, Name (BA)	2		WK004001-	D407 818 00
29		4070 548 56	*Hose Ass'y	1		WK004001-	L=1570
29-1	☆	D407 818 02	*Plate, Name (BB)	2		WK004001-	D407 818 00
30		0710 713 04	*Tee	1		WK004001-	



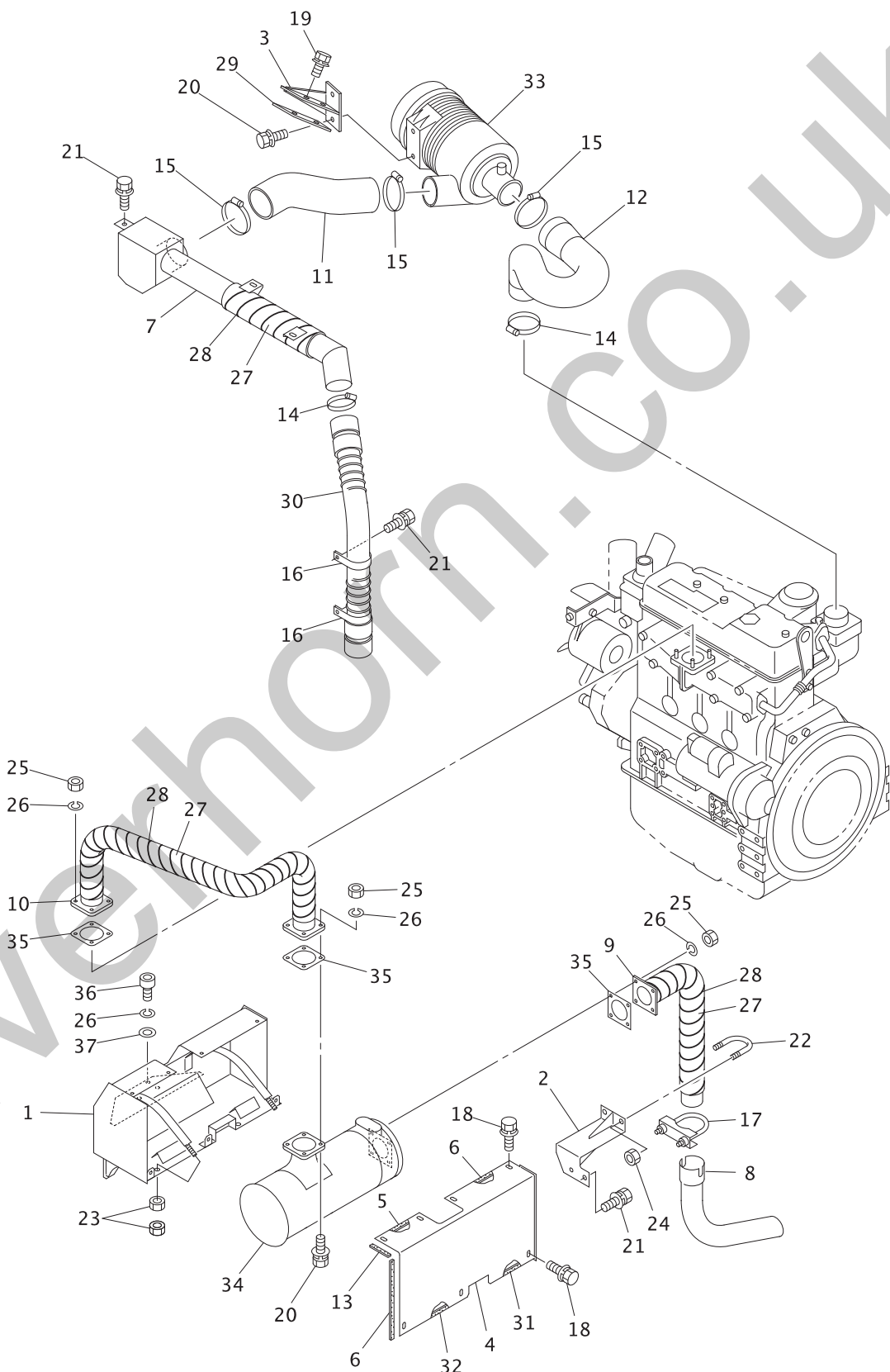
08-80V0-070100-1-0

KEY No.	SU P.	PART No.	DESCRIPTION	Q'TY	CHAN	SERIAL No.	REMARKS
0	×	F330 555 00	Engine & Accessories	1		WK002001-	
1		D522 031 00	*Duct	1		WK002001-	
2		4469 259 01	*Panel, Sponge	1		WK002001-	
3		D467 379 00	*Panel, Sponge	1		WK002001-	
4		4469 259 03	*Panel, Sponge	1		WK002001-	
5		4469 259 04	*Panel, Sponge	1		WK002001-	
6		4469 259 05	*Panel, Sponge	1		WK002001-	
7		4469 259 07	*Panel, Sponge	1		WK002001-	
8		4469 259 08	*Panel, Sponge	1		WK002001-	
9		D467 180 00	*Panel, Sponge	1		WK002001-	
10		D522 030 00	*Duct	1		WK002001-	
11		D467 372 00	*Panel, Sponge	1		WK002001-	
12		D467 373 00	*Panel, Sponge	1		WK002001-	
13		D467 374 00	*Panel, Sponge	1		WK002001-	
14		D467 375 00	*Panel, Sponge	1		WK002001-	
15		D467 376 00	*Panel, Sponge	1		WK002001-	
16		D467 377 00	*Panel, Sponge	1		WK002001-	
17		D467 378 00	*Panel, Sponge	1		WK002001-	
18		4550 718 00	*Seal	M		WK002001-	L=380
19		4550 718 00	*Seal	M		WK002001-	L=250
20		0668 200 UA	*Radiator Ass'y	1		WK002001-	
21		0668 200 91	**Radiator	1		WK002001-	
22		0668 214 02	***Cap	1		WK002001-	
23		0668 524 38	**Cooler Ass'y, Oil	1		WK002001-	
24		0712 310 15	*Adapter	1		WK002001-	
25		0712 310 55	*Elbow	1		WK002001-	
26		0517 080 20	*Bolt, Treatment (W/L.W, F.W)	10		WK002001-	M8X20
27		D457 431 00	*Cover	1		WK002001-	
28		0668 570 13	*Guard, Fan	1		WK002001-	
29		0479 080 16	**Bolt, Flange	13		WK002001-	M8X16
30		0676 190 UA	*Engine Ass'y	1		WK002001- WK004000	YANMAR, 4TNV98-VZIK
30		0676 230 UA	*Engine Ass'y	1		WK004001-	YANMAR, 4TNV98-VZIK
31		D417 273 00	*Bracket	1		WK002001-	
32		D417 437 00	*Bracket	1		WK002001-	
33		D417 438 00	*Bracket	1		WK002001-	
34		D417 276 00	*Bracket	1		WK002001-	
35		D481 011 00	*Holder	4		WK002001-	
36		0690 074 48	*Clamp	4		WK002001-	
37		4080 000 03	*Clamp, Hose	1		WK002001-	
38		0775 551 45	*Hose, Radiator	1		WK002001-	
39		0775 551 52	*Hose, Radiator	1		WK002001-	
40		4070 307 09	*Hose	M		WK002001-	L=1050
41		0779 002 97	*Hose	M		WK002001-	L=750

KEY No.	SU P.	PART No.	DESCRIPTION	Q'TY	CHAN	SERIAL No.	REMARKS
42		0910 931 15	*Rubber, Cushion	4		WK002001-	
43		0910 931 11	*Rubber, Cushion	4		WK002001-	
44		0690 074 12	*Clamp, Hose	1		WK002001-	
45		0690 074 14	*Clamp, Hose	2		WK002001-	
46		D004 059 01	*Bolt, Special	4		WK002001-	
47		4004 189 02	*Bolt, Special	8		WK002001-	
48		0555 120 30	*Bolt, Treatment	8		WK002001-	M12X30
49		0518 100 25	*Bolt, Treatment (W/L.W, F.W)	1		WK002001-	M10X25 P=1.25
50		0593 080 00	*Washer, Flat	2		WK002001-	M8
51		0593 100 00	*Washer, Flat	1		WK002001-	M10
52		0595 100 00	*Washer, Treatment	8		WK002001-	M10
53		0595 120 00	*Washer, Treatment	8		WK002001-	M12
54		0595 140 00	*Washer, Treatment	4		WK002001-	M14
55		4006 119 02	*Washer	4		WK002001-	M10
56		0550 100 30	*Bolt, Hex.	4		WK002001-	M10X30
57		0590 100 00	*Washer, Lock	4		WK002001-	M10
58		4006 545 01	*Shim	AR		WK002001-	t=2.3
58-1		4006 545 02	*Shim	AR		WK002001-	t=3.2
59		4004 365 02	*Bolt, Button Head	2		WK002001-	M8X20
60		Y171064-44510	*Tank, Sub	1		WK002001-	YANMAR
61		Y124450-44550	*Band	1		WK002001-	YANMAR
62		Y121256-44600	*Bracket	1		WK002001-	YANMAR
63		0590 080 00	*Washer, Lock	2		WK002001-	M8

[Memo]

Silverhorn.CO.UK



08-80V0-070200-1-0

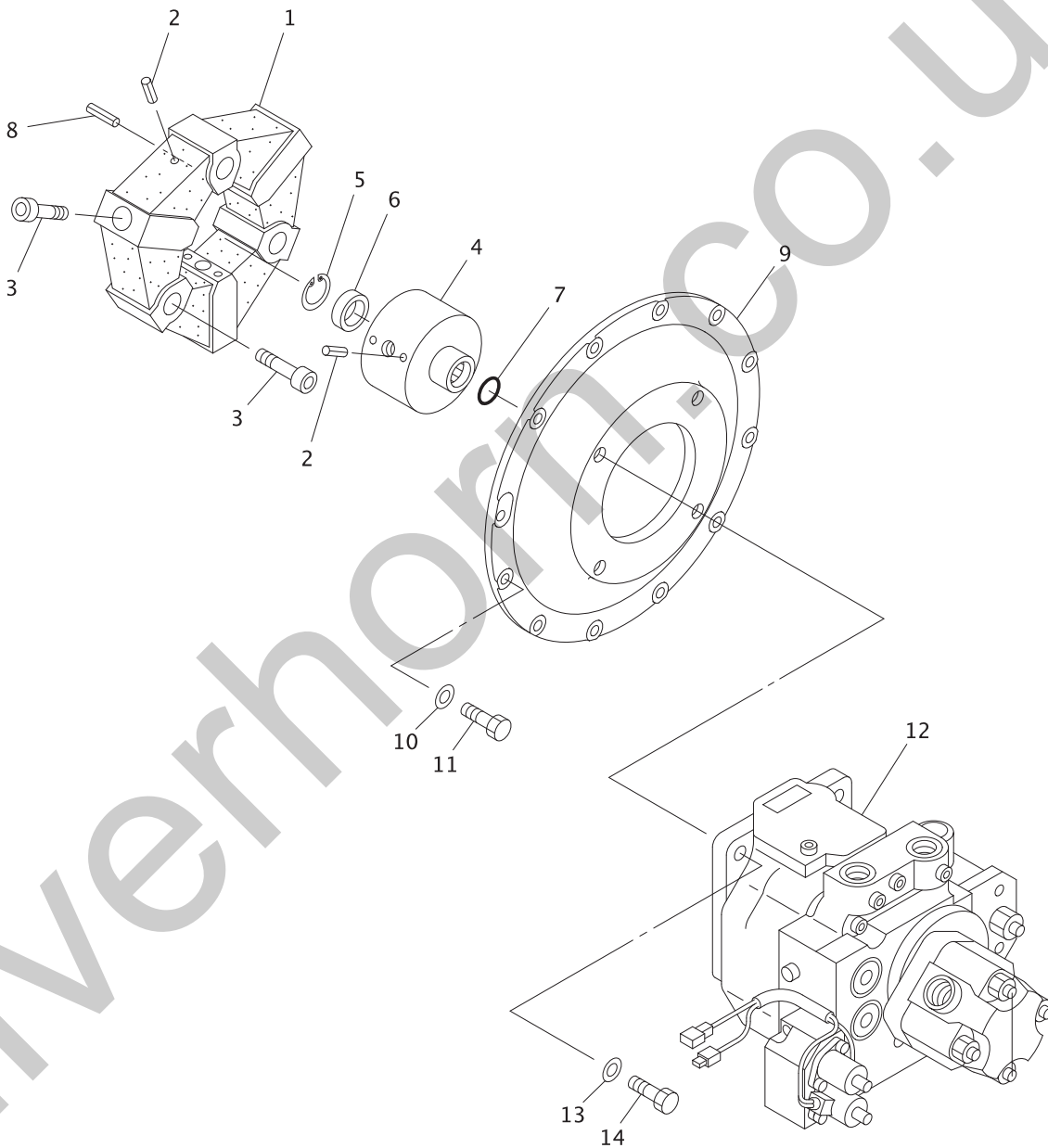
KEY No.	SU P.	PART No.	DESCRIPTION	Q'TY	CHAN	SERIAL No.	REMARKS
0	×	F330 555 00	Air Cleaner & Muffler Ass'y	1		WK002001-	
1		D417 439 00	*Bracket	1		WK002001-	
2		D417 440 00	*Bracket	1		WK002001-	
3		D417 283 00	*Bracket	1		WK002001-	
4		D457 411 00	*Cover	1		WK002001-	
5		D433 416 01	*Plate, Rubber	1		WK002001-	
6		D433 416 02	*Plate, Rubber	1		WK002001-	
7		D522 211 00	*Duct	1		WK002001-	
8		D584 013 00	*Pipe	1		WK002001-	
8-1		D584 012 00	*Pipe	1		WK002001-	Option
9		D584 104 00	*Pipe, Tail	1		WK002001-	
10		D584 102 00	*Pipe, Exhaust	4		WK002001-	
11		0779 004 63	*Hose, Air Cleaner	1		WK002001-	
12		0779 004 62	*Hose, Air Cleaner	1		WK002001-	
13		D433 416 03	*Plate, Rubber	1		WK002001-	
14		0690 078 12	*Clamp, Hose	2		WK002001-	
15		0690 078 14	*Clamp, Hose	3		WK002001-	
16		D080 019 00	*Clamp, Hose	2		WK002001-	
17		0690 089 14	*Clamp	1		WK002001-	
18		0517 080 20	*Bolt, Treatment (W/L.W, F.W)	6		WK002001-	M8X20
19		0518 100 25	*Bolt, Treatment (W/L.W, F.W)	6		WK002001-	M10X25 P=1.25
20		0517 080 30	*Bolt, Treatment (W/L.W, F.W)	6		WK002001-	M8X25 P=1.25
21		0518 100 20	*Bolt, Treatment (W/L.W, F.W)	7		WK002001-	M10X20 P=1.25
22		D003 021 00	*Bolt, U	1		WK002001-	
23		0549 100 00	*Nut, Half	4		WK002001-	M10 P=1.25
24		0521 080 00	*Nut, Hex.(W/F.W)	2		WK002001-	M8
25		0580 080 00	*Nut, Hex.	12		WK002001-	M8
26		0590 080 00	*Washer, Lock	18		WK002001-	M8
27		4459 598 00	*Tape, Insulating	4		WK002001-	
28		0322 108 99	*Wire	3		WK002001-	
29		D433 102 00	*Plate, Rubber	1		WK002001-	
30		4070 755 05	*Hose, Duct	1		WK002001-	
31		D433 416 04	*Plate, Rubber	1		WK002001-	
32		D433 416 05	*Plate, Rubber	1		WK002001-	
33		Y129939-12550	*Cleaner, Air	1		WK002001-	YANMAR
33-1		Y129935-12520	**Element Ass'y	1		WK002001-* * *	YANMAR
33-1		Y119160-12560	**Element Ass'y	1	○	* * *-	YANMAR
33-2		Y126650-12680	**Indicator	1		WK002001-	YANMAR
33-3		0676 110 91	*Element (Inner)	1		WK002001-	Option
34		Y129907-13500	*Muffler Ass'y	1		WK002001-	YANMAR

KEY No.	SU P.	PART No.	DESCRIPTION	Q'TY	CHAN	SERIAL No.	REMARKS
35		Y129930-13201	*Gasket	3		WK002001-	YANMAR
36		0562 080 20	*Bolt, Socket Head	4		WK002001-	M8X20
37		0593 080 00	*Washer, Flat	4		WK002001-	M8

Silverhorn.CO.UK

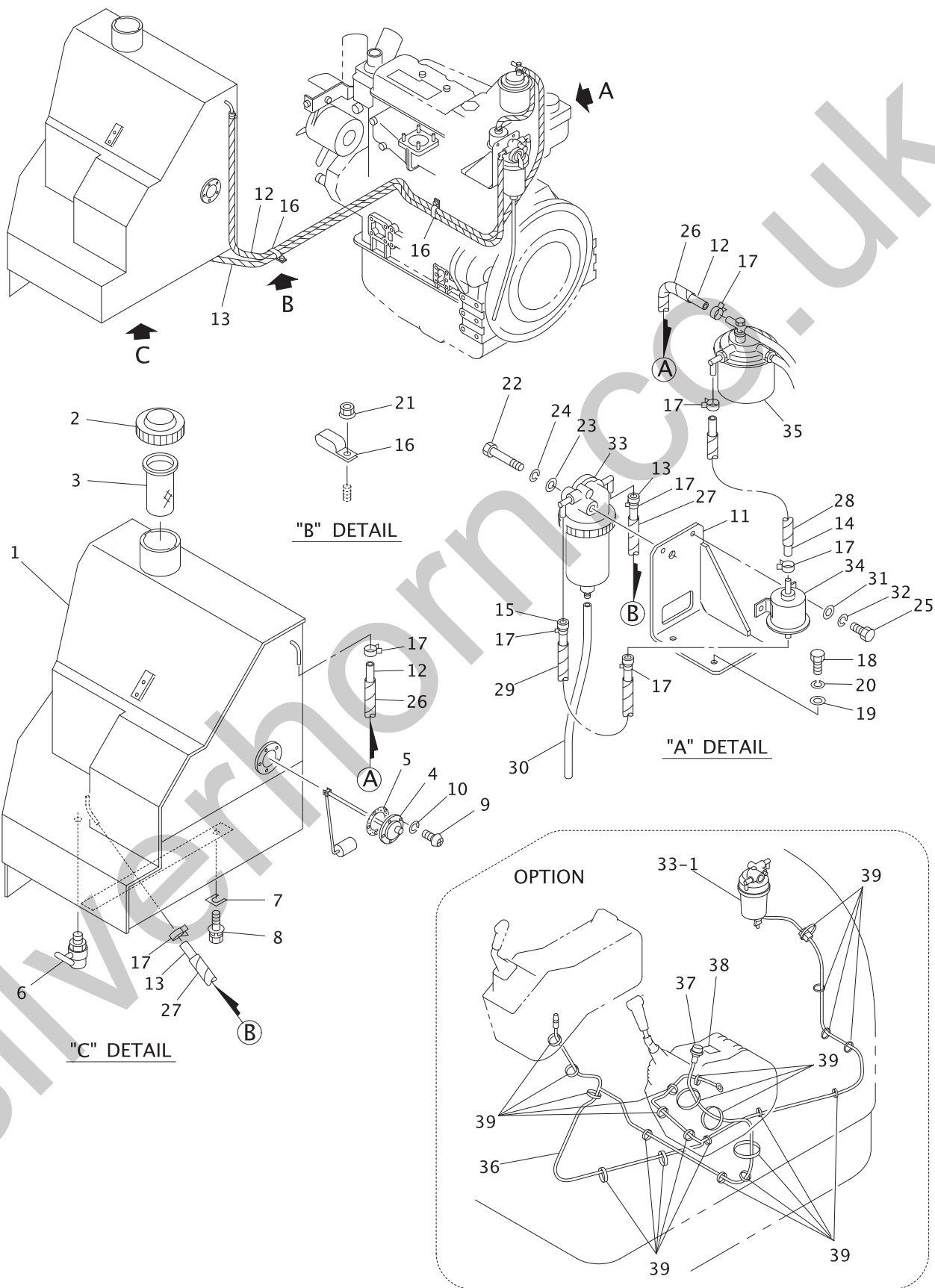
[Memo]

Silverhorn.CO.UK



08-80V0-070300-1-0

KEY No.	SU P.	PART No.	DESCRIPTION	Q'TY	CHAN	SERIAL No.	REMARKS
0	×	F330 545 00	Drive Device, Oil Pump	1		WK002001-	
1		0651 477 UA	*Coupling Ass'y	1		WK002001-	
2		0494 608 10	**Pin, Spring	9		WK002001-	d=5X10
3		0562 160 50	**Bolt, Socket Head	6		WK002001-	M16X50
4		*** ** *	*Hub, Coupling	1		WK002001-	
5		0493 500 30	*Ring, Snap	1		WK002001-	
6		0761 721 20	*Cap	1		WK002001-	
7		0760 710 23	*Ring, O	1		WK002001-	P22A-90B
8		0494 608 20	*Pin, Spring	3		WK002001-	d=5X20
9		D230 044 00	*Flange, Pump	1		WK002001-	
10		0595 100 00	*Washer, Treatment	12		WK002001-	M10
11		0513 100 30	*Bolt, Treatment	12		WK002001-	M12X30
12	#	0780 055 UA	*Pump Ass'y, Oil	1		WK002001-	Sh. No. 5-7
13		0595 160 00	*Washer, Treatment	4		WK002001-	M16
14		0558 160 35	*Bolt, Treatment	4		WK002001-	M16X35 P=1.5



08VX2-070400-1-1

KEY No.	SU P.	PART No.	DESCRIPTION	Q'TY	CHAN	SERIAL No.	REMARKS
0	×	F337 231 00	Tank Ass'y, Fuel	1		WK002001-	
0-1	×	F337 235 00	Piping Ass'y, Fuel	1		WK002001-	
0-2	×	F337 254 00	Piping Ass'y, Fuel	1		WK002001- WK004000	Option
0-2	×	F337 281 00	Piping Ass'y, Fuel	1		WK004001-	Option
1		D284 175 00	*Tank, Fuel	1		WK002001-	
2		0729 910 44	*Cap	1		WK002001-	
3		0729 910 17	*Strainer	1		WK002001-	
4		0858 108 16	*Gauge, Fuel	1		WK002001-	
5		0910 650 03	*Packing	1		WK002001-	
6		0724 107 08	*Valve, Stop	1		WK002001-	
7		4007 452 02	*Shim	AR		WK002001-	t=1.6
8		0518 120 25	*Bolt, Treatment (W/L.W, F.W)	4		WK002001-	M12X25 P=1.25
9		0565 050 10	*Screw, Pan Head	5		WK002001-	M5X10
10		0590 050 00	*Washer, Lock	5		WK002001-	M5
11		D417 293 00	*Bracket	1		WK002001-	
12		4070 245 66	*Hose, Fuel	M		WK002001-	L=2650
13		4070 245 30	*Hose, Fuel	M		WK002001-	L=2250
14		4070 245 21	*Hose, Fuel	M		WK002001-	L=370
15		4070 245 54	*Hose, Fuel	M		WK002001-	L=270
16		4080 000 25	*Clamp, Hose	2		WK002001-	
17		0690 081 62	*Clamp, Hose	8		WK002001-	
18		0550 100 20	*Bolt, Hex.	2		WK002001-	M10X20
19		0593 100 00	*Washer, Flat	2		WK002001-	M10
20		0590 100 00	*Washer, Lock	2		WK002001-	M10
21		0524 100 00	*Nut, Hex.(W/F.W)	2		WK002001-	M10 P=1.25
22		0550 080 70	*Bolt, Hex.	1		WK002001-	M8X70
23		0593 080 00	*Washer, Flat	1		WK002001-	M8
24		0590 080 00	*Washer, Lock.	1		WK002001-	M8
25		0550 060 25	*Bolt, Hex.	2		WK002001-	M6X25
26		0820 803 04	*Tube, Corrugate	M		WK002001-	L=2550
27		0820 803 04	*Tube, Corrugate	M		WK002001-	L=2100
28		0820 803 04	*Tube, Corrugate	M		WK002001-	L=270
29		0820 803 04	*Tube, Corrugate	M		WK002001-	L=140
30		4070 307 19	*Hose, Fuel	M		WK002001-	L=600
31		0593 060 00	*Washer, Flat	2		WK002001-	M6
32		0590 060 00	*Washer, Lock.	2		WK002001-	M6
33		Y129906- 55700	*Sedimenter, Water	1		WK002001-	YANMAR
33-1		0857 905 UA	*Sedimenter, Water (W/Sensor)	1		WK002001-	YANMAR 129245-55710 (Option)
33-2		Y119802- 55710	**Element Ass'y	1		WK002001-	YANMAR
34		Y119225- 52102	*Pump Ass'y, Fuel	1		WK002001-	YANMAR

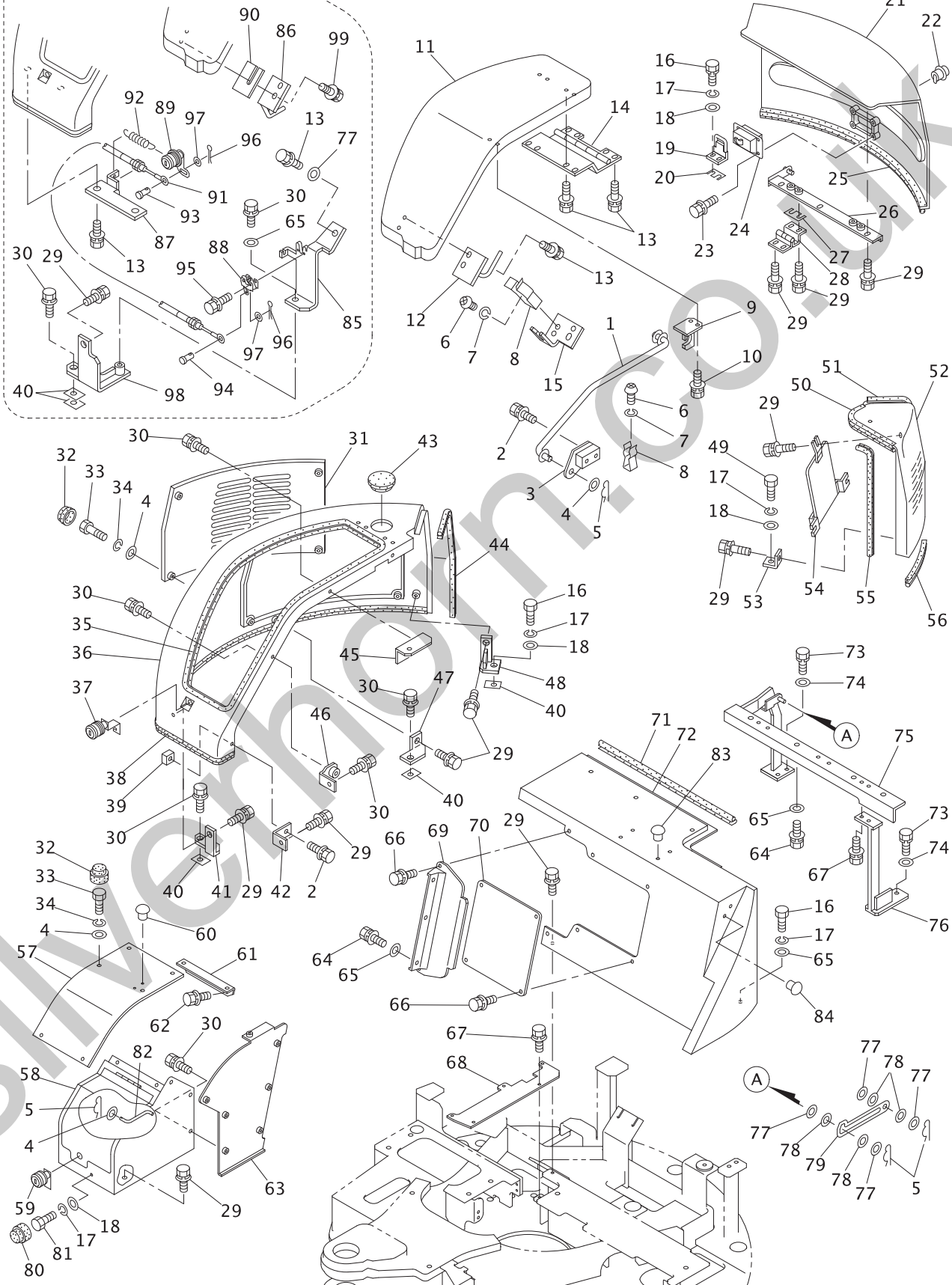
KEY No.	SU P.	PART No.	DESCRIPTION	Q'TY	CHAN	SERIAL No.	REMARKS
35		Y119802-55801	*Filter, Fuel	1		WK002001-	YANMAR
36		D591 918 00	*Harness	1		WK002001- WK004000	
37		0855 004 82	*Lamp, Pilot	1		WK002001- WK004000	
38		D407 520 00	*Plate, Name	1		WK002001- WK004000	
39		0820 067 05	*Band, Cable	AR		WK002001-	

Silverhorn.CO.UK

[Memo]

Silverhorn.CO.UK

Serial No.WK004001 -

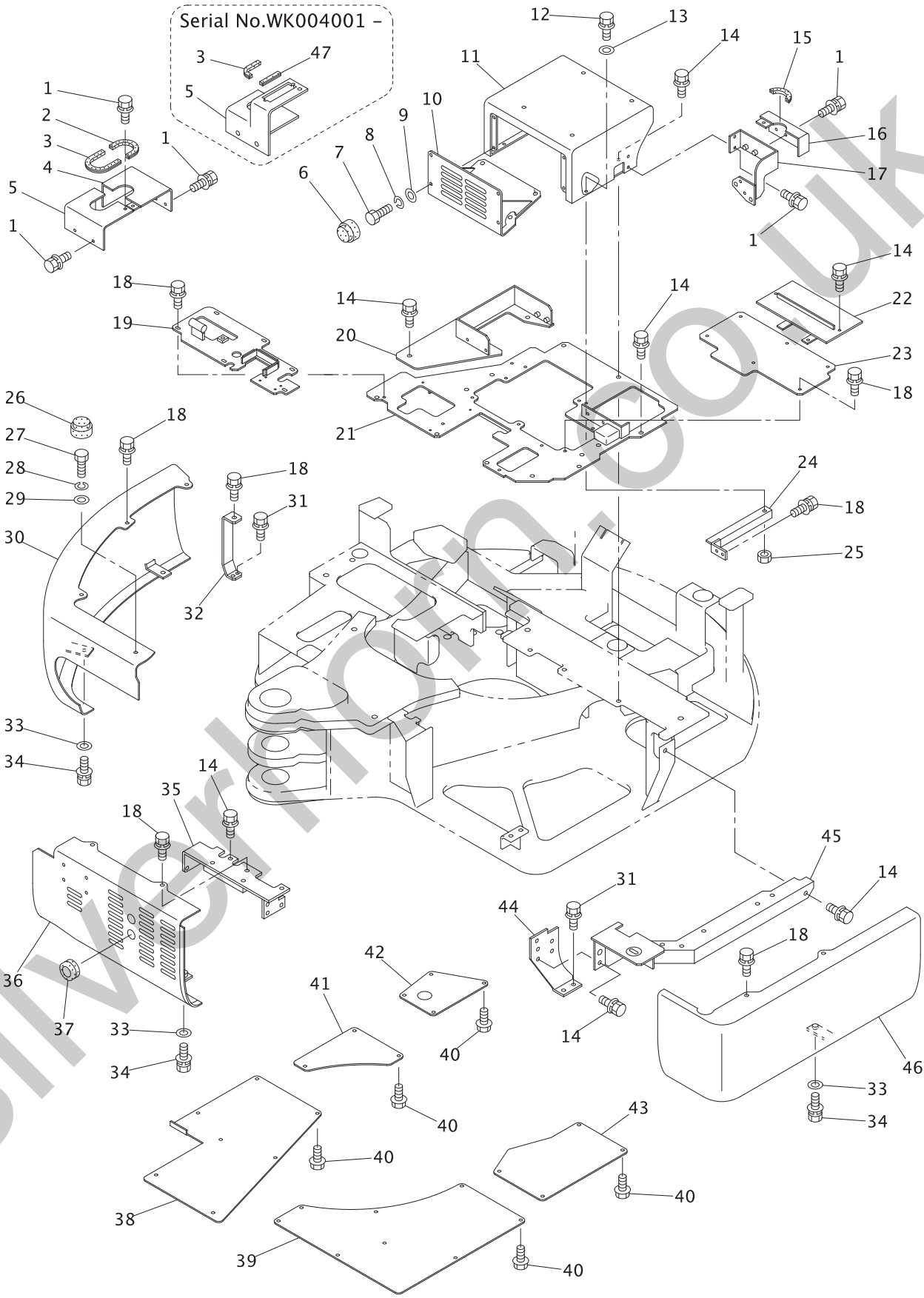


80VX-080100-1-2

KEY No.	SU P.	PART No.	DESCRIPTION	Q'TY	CHAN	SERIAL No.	REMARKS
0	×	F354 529 00	Cover Ass'y	1		WK002001- WK004000	
0	×	F354 864 00	Cover Ass'y	1		WK004001-	
1		D260 384 00	*Stay	1		WK002001-	
2		0517 060 30	*Bolt, Treatment (W/L.W, F.W)	3		WK002001-	M6X30
3		D414 212 00	*Bracket	1		WK002001-	
4		0593 080 00	*Washer, Flat	12		WK002001-	M8
5		4016 030 04	*Pin, Snap	4		WK002001-	
6		0565 050 08	*Screw, Pan Head	4		WK002001- WK004000	M5X8
6		0565 050 08	*Screw, Pan Head	2		WK004001-	
7		0590 050 00	*Washer, Lock	4		WK002001- WK004000	M5
7		0590 050 00	*Washer, Lock	2		WK004001-	
8		0690 202 61	*Spring	2		WK002001- WK004000	
8		0690 202 61	*Spring	1		WK004001-	
9		D414 211 00	*Bracket	1		WK002001-	
10		0517 060 16	*Bolt, Treatment (W/L.W, F.W)	2		WK002001-	M6X16
11		4453 017 00	*Cover	1		WK002001-	
11-1		D457 568 00	*Cover	1		WK002001-	For Yellow
12		4428 450 00	*Bracket	1		WK002001- WK004000	
13		0517 080 16	*Bolt, Treatment (W/L.W, F.W)	11		WK002001-	M8X16
14		D094 033 00	*Hinge	1		WK002001-	
15		D417 321 00	*Bracket	1		WK002001- WK004000	
16		0513 100 25	*Bolt, Treatment	4		WK002001-	M10X25
17		0590 100 00	*Washer, Lock	7		WK002001-	M10
18		0593 100 00	*Washer, Flat	6		WK002001-	M10
19		4428 043 00	*Bracket, Lock	1		WK002001-	
20		4007 533 00	*Shim	AR		WK002001-	t=1.6
21		4453 013 00	*Cover, Engine	1		WK002001-	
22		0690 220 37	*Lock Ass'y	1		WK002001- WK004000	
22		0690 220 91	*Lock Ass'y	1		WK004001-	
23		0519 060 12	*Bolt, Treatment (W/L.W)	4		WK002001-	M6X12
24		0690 220 60	*Cover, Lock	1		WK002001	
25		4550 726 00	*Seal	M		WK002001-	L=1175
26		4428 098 00	*Bracket	1		WK002001-	
27		4007 482 00	*Shim	AR		WK002001-	t=1.6
28		4094 122 00	*Hinge	2		WK002001-	
29		0518 100 20	*Bolt, Treatment (W/L.W, F.W)	24		WK002001-	M10X20 P=1.25
30		0518 100 25	*Bolt, Treatment (W/L.W, F.W)	9		WK002001-	M10X25 P=1.25
31		D457 417 00	*Cover	1		WK002001- WK004000	

KEY No.	SU P.	PART No.	DESCRIPTION	Q'TY	CHAN	SERIAL No.	REMARKS
31		4453 020 00	*Cover	1		WK004001-	
32		0690 202 56	*Cap	10		WK002001-	
33		0550 080 20	*Bolt, Hex.	10		WK002001-	M8X20
34		0590 080 00	*Washer, Lock	10		WK002001-	M8
35		D551 000 00	*Seal, Trim	1		WK002001-	L=2955
36		D457 416 00	*Cover, Tank	1		WK002001- WK004000	
36		4453 010 00	*Cover, Tank (Light Green)	1		WK004001-	
37		0690 220 74	*Lock Ass'y	1		WK002001- WK004000	
38		4550 873 00	*Seal	M		WK002001-	L=2040
39		0910 910 15	*Nut, Weld	1		WK002001-	
40		4007 532 03	*Shim	AR		WK002001-	t=2.3
41		4428 101 00	*Bracket	1		WK002001- WK004000	
42		D414 116 00	*Bracket	1		WK002001-	
43		4528 524 00	*Cap, Rubber	1		WK002001-	
44		4550 726 00	*Seal	M		WK002001-	L=750
45		D414 115 00	*Bracket	1		WK002001-	
46		D414 117 00	*Bracket	1		WK002001-	
47		4428 100 00	*Bracket	1		WK002001-	
48		4428 099 00	*Bracket	1		WK002001-	
49		0513 100 20	*Bolt, Treatment	2		WK002001-	M10X20
50		4550 726 00	*Seal	M		WK002001-	L=600
51		4550 726 00	*Seal	M		WK002001-	L=800
52		D455 547 00	*Cover	1		WK002001-	
52-1		D457 401 00	*Cover (For Air Conditioning)	1		WK002001-	
53		D413 631 00	*Bracket	2		WK002001-	
54		D457 397 00	*Cover	1		WK002001-	
55		4550 726 00	*Seal	M		WK002001-	L=600
56		4550 726 00	*Seal	M		WK002001-	L=500
57		D455 631 00	*Cover	1		WK002001-	
58		D457 389 00	*Cover	1		WK002001-	
59		0690 220 26	*Lock Ass'y	1		WK002001- WK004000	
59		0690 220 92	*Lock Ass'y	1		WK004001-	
60		0690 201 05	*Plug, Hole	2		WK002001-	
61		D414 147 00	*Bracket	1		WK002001-	
62		0517 080 20	*Bolt, Treatment (W/L.W, F.W)	2		WK002001-	M8X20
63		D455 731 00	*Cover	1		WK002001-	
64		0520 100 30	*Bolt, Treatment (W/L.W)	7		WK002001-	M10X30 P=1.25
65		4006 119 02	*Washer, Flat	9		WK002001-	M10
66		0517 100 20	*Bolt, Treatment (W/L.W, F.W)	6		WK002001-	M10X20 P=1.25
67		0518 100 30	*Bolt, Treatment (W/L.W, F.W)	6		WK002001-	M10X30 P=1.25

KEY No.	SU P.	PART No.	DESCRIPTION	Q'TY	CHAN	SERIAL No.	REMARKS
68		D414 118 00	*Bracket	1		WK002001-	
68-1		0690 201 08	*Plug, Hole	AR		WK002001-	
69		D455 732 00	*Cover	1		WK002001-	
70		D455 632 00	*Cover	1		WK002001-	
71		4550 726 00	*Seal	M		WK002001-	L=800
72		D457 392 00	*Cover	1		WK002001-	
73		0520 120 30	*Bolt, Treatment (W/L.W)	4		WK002001-	M12X30 P=1.25
74		4006 119 03	*Washer, Flat	4		WK002001-	M12
75		D417 411 00	*Bracket	1		WK002001-	
76		D417 418 00	*Bracket	1		WK002001-	
76-1		F771 521 00	*Bracket (For Travel Lock)	1		WK002001-	
77		4006 119 01	*Washer, Flat	5		WK002001-	M8
78		0491 700 08	*Washer, Wave	4		WK002001-	
79		4261 394 00	*Stay	1		WK002001-	
80		0690 202 59	*Cap	1		WK002001-	
81		0541 100 20	*Bolt, Treatment	1		WK002001-	M10X20 P=1.25
82		D260 263 00	*Stay	1		WK002001-	
83		0690 201 11	*Plug, Hole	4		WK002001-	
84		0690 201 09	*Plug, Hole	4		WK002001-	
85		D418 400 00	*Bracket	1		WK004001-	
86		D418 399 00	*Bracket	1		WK004001-	
87		D417 638 00	*Bracket	1		WK004001-	
88		0690 270 52	*Lock Ass'y	1		WK004001-	
89		0690 220 94	*Lock Ass'y	1		WK004001-	
90		D007 226 00	*Shim	AR		WK004001-	
91		D102 002 00	*Cable Ass'y, Control	1		WK004001-	
92		D172 015 00	*Spring	1		WK004001-	
93		D013 215 00	*Pin, Head	1		WK004001-	
94		D013 216 00	*Pin, Head	1		WK004001-	
95		0517 060 25	*Bolt, Treatment (W/L.W, F.W)	2		WK004001-	M6X25
96		0599 010 15	*Pin, Cotter	2		WK004001-	d=1.6X15
97		0593 060 00	*Washer, Flat	2		WK004001-	M6
98		D418 398 00	*Bracket	1		WK004001-	
99		0517 080 25	*Bolt, Treatment (W/L.W, F.W)	2		WK004001-	M8X25



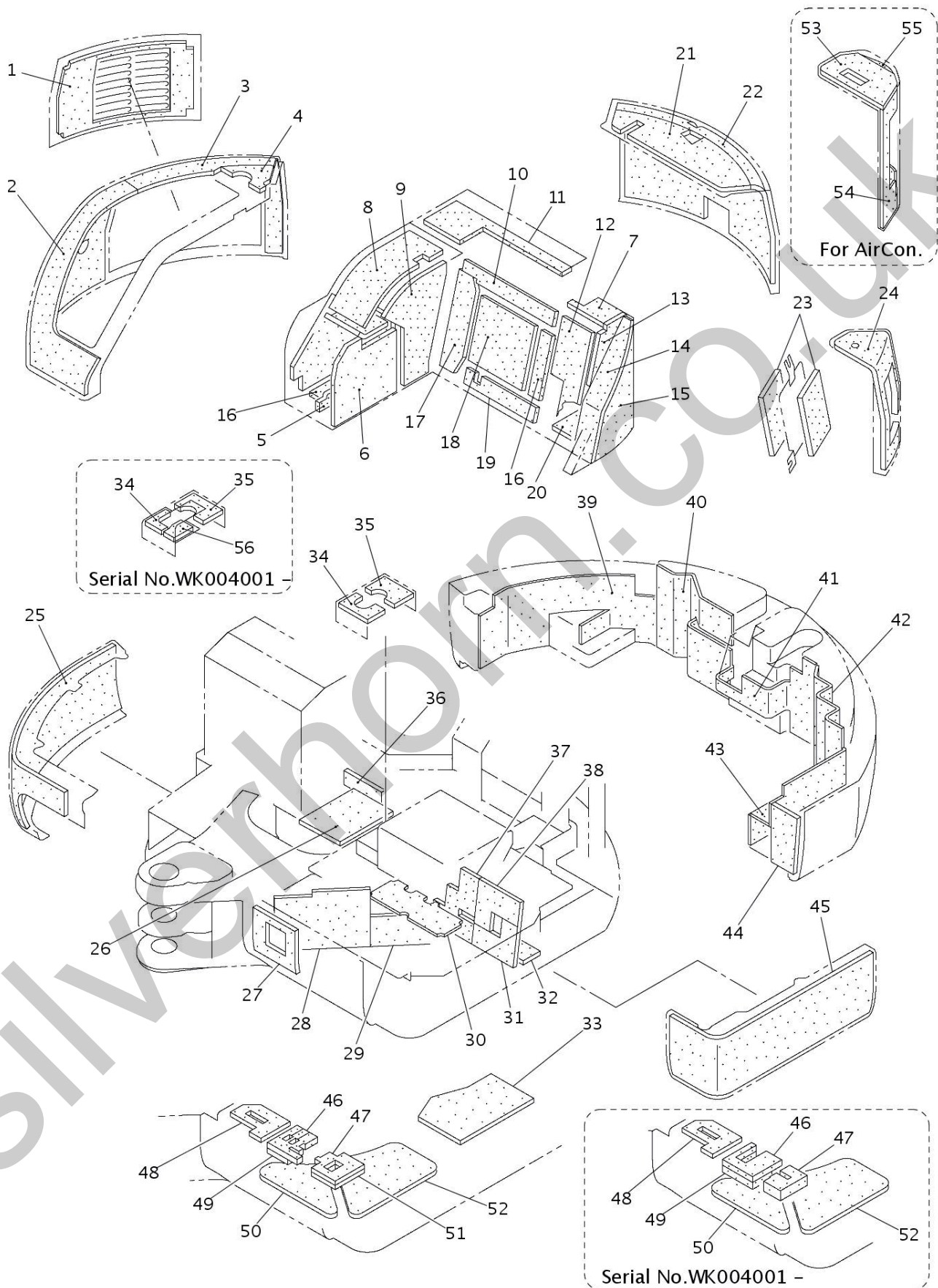
80VX-080200-1-1

KEY No.	SU P.	PART No.	DESCRIPTION	Q'TY	CHAN	SERIAL No.	REMARKS
0	×	F354 529 00	Cover Ass'y	1		WK002001- WK004000	
0	×	F354 864 00	Cover Ass'y	1		WK004001-	
0-1	×	F361 004 00	Cover Ass'y	1		WK002001- WK004000	
0-2	×	F361 005 00	Cover Ass'y (For Short Lever)	1		WK002001- WK004000	
0-2	×	F361 507 00	Cover Ass'y (For Short Lever)	1		WK004001-	
1		0517 080 20	*Bolt, Treatment (W/L.W, F.W)	10		WK002001-	M8X20
2		4550 519 00	*Seal, Trim	M		WK002001-	L=150
3		4550 519 00	*Seal, Trim	M		WK002001- WK004000	L=220
3		4550 519 00	*Seal, Trim	M		WK004001-	L=140
4		D413 741 00	*Bracket	1		WK002001-	
5		D455 550 00	*Cover	1		WK002001- WK004000	
5		D457 824 00	*Cover	1	×	WK004001-	
6		0690 202 56	*Cap	4		WK002001-	
7		0550 080 20	*Bolt, Hex.	4		WK002001-	M8X20
8		0590 080 00	*Washer, Lock	4		WK002001-	M8
9		0593 080 00	*Washer, Flat	4		WK002001-	M8
10		D455 722 00	*Cover	1		WK002001-	
11		D500 005 00	*Stand	1		WK002001- WK004000	
11		D500 042 00	*Stand	1	×	WK004001-	
12		0518 100 40	*Bolt, Treatment (W/L.W, F.W)	1		WK002001-	M10X40 P=1.25
13		0593 100 00	*Washer, Flat	1		WK002001-	M10
14		0518 100 25	*Bolt, Treatment (W/L.W, F.W)	21		WK002001-	M10X25 P=1.25
15		4550 519 00	*Seal, Trim	M		WK002001-	L=70
16		D413 948 00	*Bracket	1		WK002001-	
17		D413 919 00	*Bracket	1		WK002001-	
18		0518 100 20	*Bolt, Treatment (W/L.W, F.W)	24		WK002001-	M10X20 P=1.25
19		D414 296 00	*Cover	1		WK002001- WK004000	
19		D418 189 00	*Cover	1	×	WK004001-	
19-1		D415 911 00	*Cover	1		WK002001- WK004000	Option
20		D455 639 00	*Cover	1		WK002001-	
21		D455 507 00	*Cover	1		WK002001- WK004000	
21		D457 847 00	*Cover	1	×	WK004001-	
21-1		D456 775 00	*Cover	1		WK002001- WK004000	Option
22		D455 723 00	*Cover	1		WK002001-	
23		D455 519 00	*Cover	1		WK002001- WK004000	

KEY No.	SU P.	PART No.	DESCRIPTION	Q'TY	CHAN	SERIAL No.	REMARKS
23		D457 848 00	*Cover	1	×	WK004001-	
24		D414 307 00	*Bracket	1		WK002001-	
25		0524 100 00	*Nut, Hex.(W/F.W)	1		WK002001-	M10 P=1.25
26		0690 202 59	*Cap	1		WK002001-	
27		0541 100 20	*Bolt, Hex.	1		WK002001-	M10X20 P=1.25
28		0590 100 00	*Washer, Lock	1		WK002001-	M10
29		0593 100 00	*Washer, Flat	1		WK002001-	M10
30		D455 616 00	*Cover	1		WK002001-	
31		0518 100 30	*Bolt, Treatment (W/L.W, F.W)	4		WK002001-	M10X30 P=1.25
32		D414 136 00	*Bracket	1		WK002001-	
33		4006 119 02	*Washer, Flat	6		WK002001-	M10
34		0520 100 35	*Bolt, Treatment (W/L.W)	6		WK002001-	M10X35 P=1.25
35		D413 933 00	*Bracket	1		WK002001- WK004000	
35		D418 172 00	*Bracket	1	×	WK004001-	
36		D455 615 00	*Cover	1		WK002001-	
37		0910 950 03	*Grommet	2		WK002001-	
38		D455 634 00	*Cover	1		WK002001-	
39		D455 633 00	*Cover	1		WK002001-	
40		0480 100 20	*Bolt, Treatment (W/Flange)	27		WK002001-	M10X20 P=1.25
41		D455 730 00	*Cover	1		WK002001-	
42		D455 729 00	*Cover	1		WK002001-	
43		D455 635 00	*Cover	1		WK002001-	
44		D413 705 00	*Bracket	1		WK002001-	
45		D413 967 00	*Bracket	1		WK002001-	
46		D455 617 00	*Cover	1		WK002001-	
47		4550 519 00	*Seal, Trim	M		WK004001-	L=90

[Memo]

Silverhorn.CO.UK



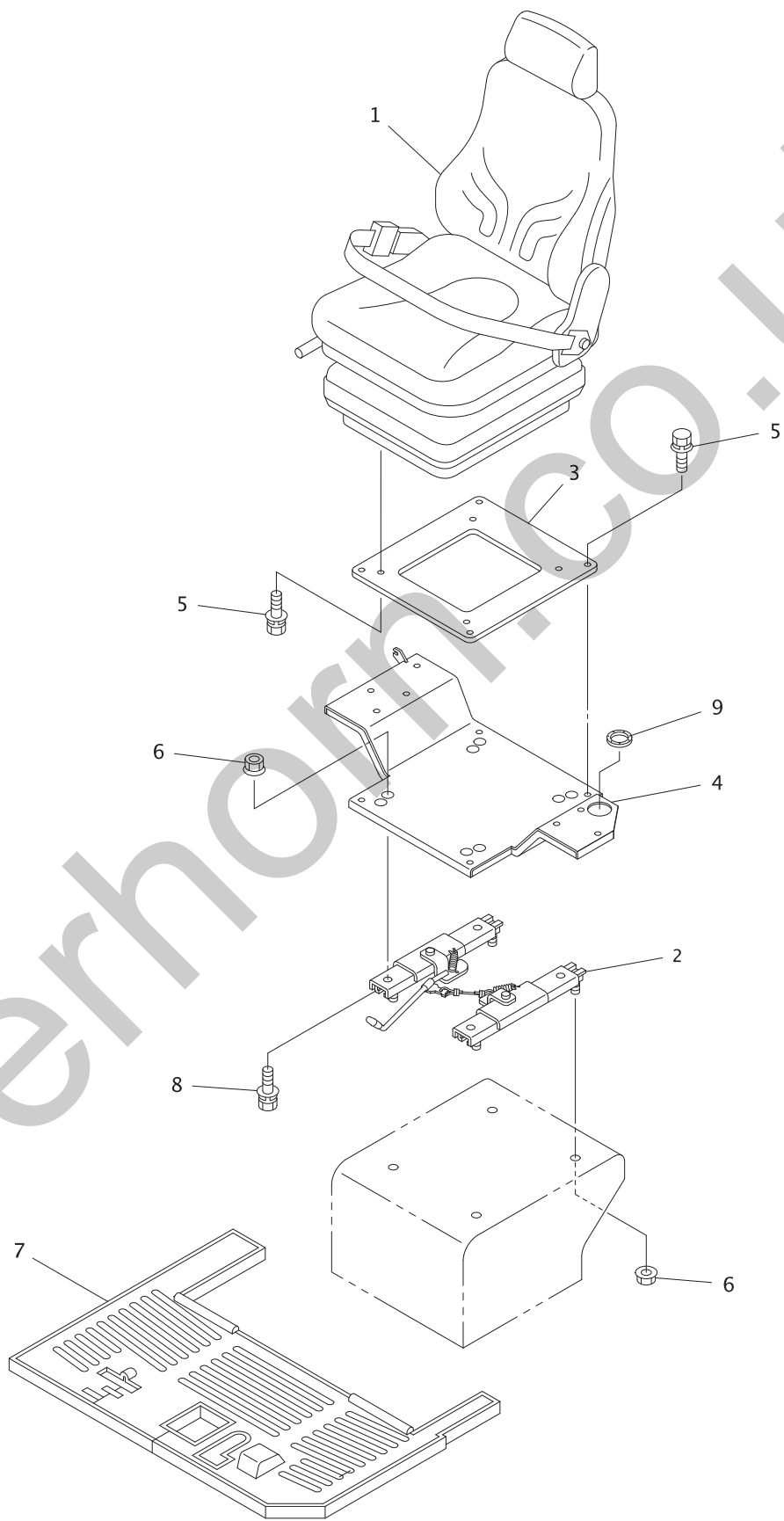
80VX-080300-1-1

KEY No.	SU P.	PART No.	DESCRIPTION	Q'TY	CHAN	SERIAL No.	REMARKS
0	×	F354 529 00	Noise Absorbent Ass'y	1		WK002001- WK004000	
0	×	F354 864 00	Noise Absorbent Ass'y	1		WK004001-	
1		D468 996 00	*Panel, Sponge	1		WK002001-	
2		D468 997 00	*Panel, Sponge	1		WK002001-	
3		4469 244 08	*Panel, Sponge	1		WK002001-	
4		4469 244 09	*Panel, Sponge	1		WK002001-	
5		D468 952 00	*Panel, Sponge	1		WK002001-	
6		D468 951 00	*Panel, Sponge	1		WK002001-	
7		D468 869 00	*Panel, Sponge	1		WK002001-	
8		D467 461 00	*Panel, Sponge	1		WK002001-	
9		D467 543 00	*Panel, Sponge	1		WK002001-	
10		D468 912 00	*Panel, Sponge	1		WK002001-	
11		D468 868 00	*Panel, Sponge	1		WK002001-	
12		D468 950 00	*Panel, Sponge	1		WK002001-	
13		D467 469 00	*Panel, Sponge	1		WK002001-	
14		D467 456 00	*Panel, Sponge	1		WK002001-	
15		D467 455 00	*Panel, Sponge	1		WK002001-	
16		D468 875 00	*Panel, Sponge	1		WK002001-	
17		D468 914 00	*Panel, Sponge	1		WK002001-	
18		D468 913 00	*Panel, Sponge	1		WK002001-	
19		D468 874 00	*Panel, Sponge	1		WK002001-	
20		D468 911 00	*Panel, Sponge	1		WK002001-	
21		D468 862 00	*Panel, Sponge	1		WK002001-	
22		D468 861 00	*Panel, Sponge	1		WK002001-	
23		D468 917 00	*Panel, Sponge	2		WK002001-	
24		D467 365 00	*Panel, Sponge	1		WK002001-	
25		D467 462 00	*Panel, Sponge	1		WK002001-	
26		D467 568 00	*Panel, Sponge	1		WK002001-	
27		D467 561 00	*Panel, Sponge	1		WK002001-	
28		D467 570 00	*Panel, Sponge	1		WK002001-	
29		D467 571 00	*Panel, Sponge	1		WK002001-	
30		D465 101 00	*Panel	1		WK002001-	
31		D467 572 00	*Panel, Sponge	1		WK002001-	
32		D467 569 00	*Panel, Sponge	1		WK002001-	
33		D467 560 00	*Panel, Sponge	1		WK002001-	
34		D467 562 00	*Panel, Sponge	1		WK002001- WK004000	
34		D493 281 00	*Panel, Sponge	1	×	WK004001-	
35		D467 563 00	*Panel, Sponge	1		WK002001-	
36		D467 581 00	*Panel, Sponge	1		WK002001-	
37		D467 606 00	*Panel, Sponge	1		WK002001-	
38		D467 573 00	*Panel, Sponge	1		WK002001-	
39		D467 467 00	*Panel, Sponge	1		WK002001-	
40		D467 466 00	*Panel, Sponge	1		WK002001-	

KEY No.	SU P.	PART No.	DESCRIPTION	Q'TY	CHAN	SERIAL No.	REMARKS
41		D468 849 00	*Panel, Sponge	1		WK002001-	
42		D467 539 00	*Panel, Sponge	1		WK002001-	
43		D467 538 00	*Panel, Sponge	1		WK002001-	
44		D467 566 00	*Panel, Sponge	1		WK002001-	
45		D467 463 00	*Panel, Sponge	1		WK002001-	
46		D467 579 00	*Panel, Sponge	1		WK002001- WK004000	
46		D493 374 00	*Panel, Sponge	1		WK004001-	
47		D467 578 00	*Panel, Sponge	1		WK002001- WK004000	
47		D468 039 00	*Panel, Sponge	1		WK004001-	
47-1		D468 039 00	*Panel, Sponge	1		WK002001-	Option
48		D467 580 00	*Panel, Sponge	1		WK002001-	
49		D467 577 00	*Panel, Sponge	1		WK002001- WK004000	
49		D493 373 00	*Panel, Sponge	1		WK004001-	
50		D467 559 00	*Panel, Sponge	1		WK002001-	
51		D467 576 00	*Panel, Sponge	1		WK002001- WK004000	
52		D467 558 00	*Panel, Sponge	1		WK002001-	
53		D468 994 00	*Panel, Sponge	1		WK002001-	
54		D468 993 00	*Panel, Sponge	1		WK002001-	
55		D468 995 00	*Panel, Sponge	1		WK002001-	
56		D493 282 00	*Panel, Sponge	1		WK004001-	

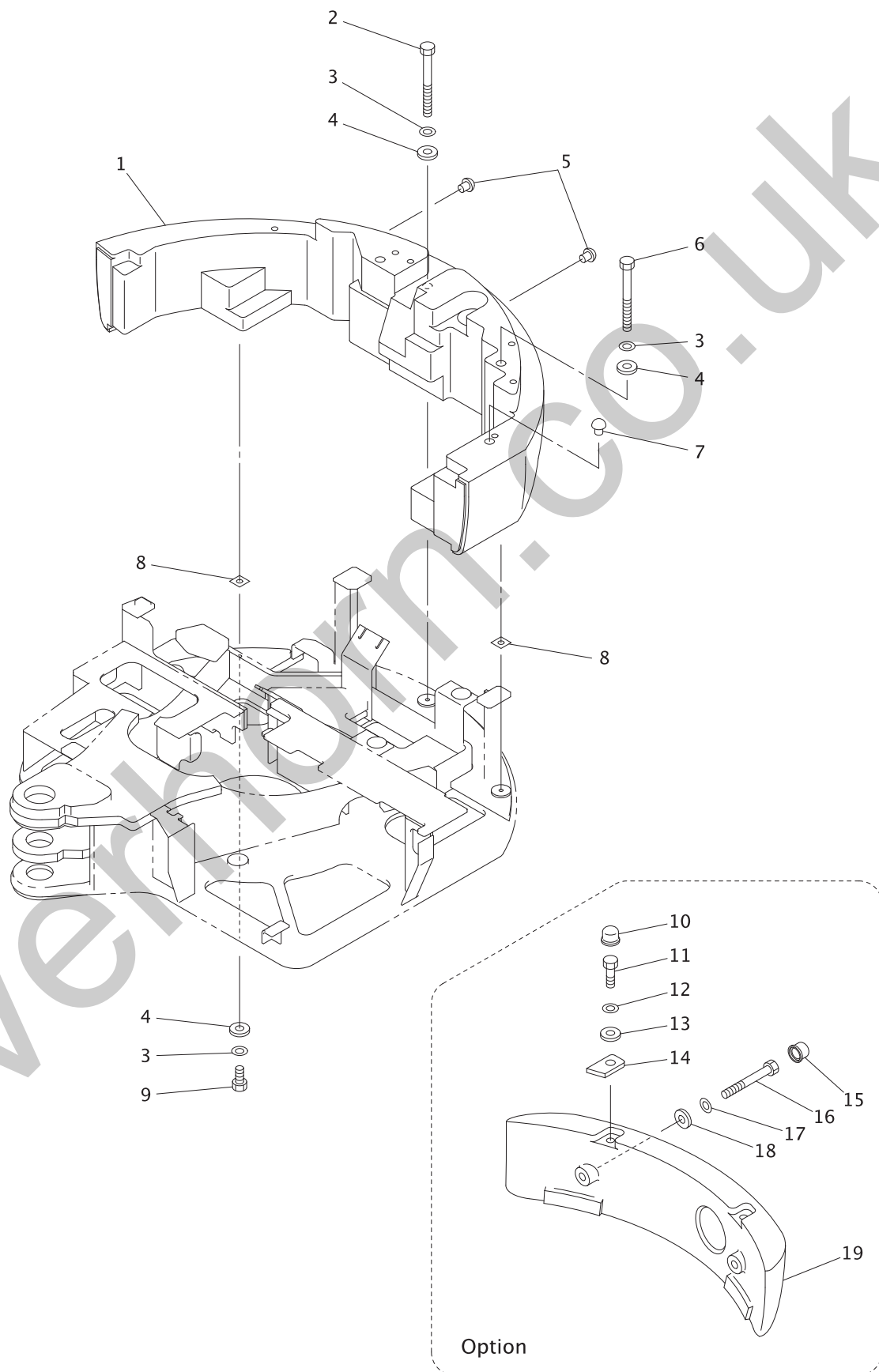
[Memo]

Silverhorn.CO.UK



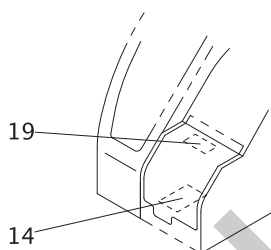
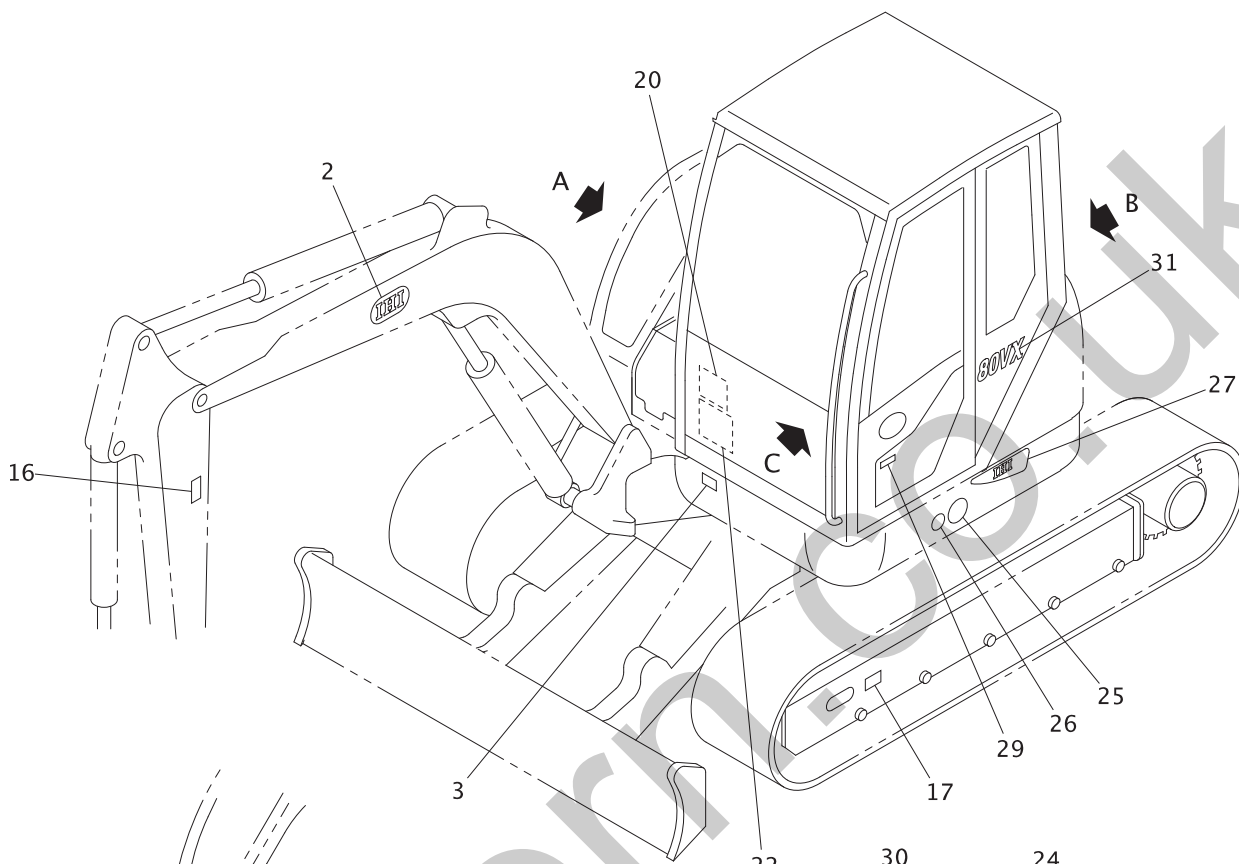
80VX-0806A0-1-0

KEY No.	SU P.	PART No.	DESCRIPTION	Q'TY	CHAN	SERIAL No.	REMARKS
0	×	F354 839 00	Seat Ass'y, Operator	1		WK004001-	
0-1	×	F354 941 00	Mat Ass'y	1		WK004001-	
1		0655 554 UA	*Seat, Operator	1		WK004001-	Leather
1-1		0655 555 UA	*Seat, Operator	1		WK004001-	Fabric
1-2		0655 562 UA	*Seat, Operator (W/O Seat Belt)	1		WK004001-	Leather
2		0655 558 UA	*Adjuster, Slide	1		WK004001-	
3		D401 326 00	*Plate	1		WK004001-	
4		D418 333 00	*Bracket	1		WK004001-	
5		0517 080 20	*Bolt, Treatment (W/L.W, F.W)	8		WK004001-	M8X20
6		0521 080 00	*Nut, Hex.(W/F.W)	8		WK004001-	M8
7		D581 189 00	*Mat	1		WK004001-	
8		0517 080 25	*Bolt, Treatment (W/L.W, F.W)	4		WK004001-	M8X25
9		D551 004 00	*Seal, Trim	1		WK004001-	L=160

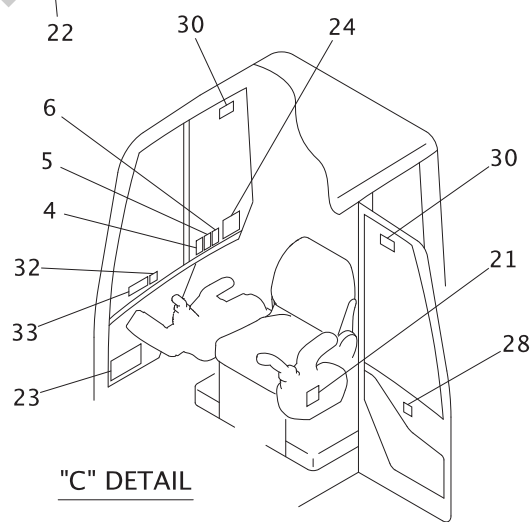


08-80V0-080700-1-0

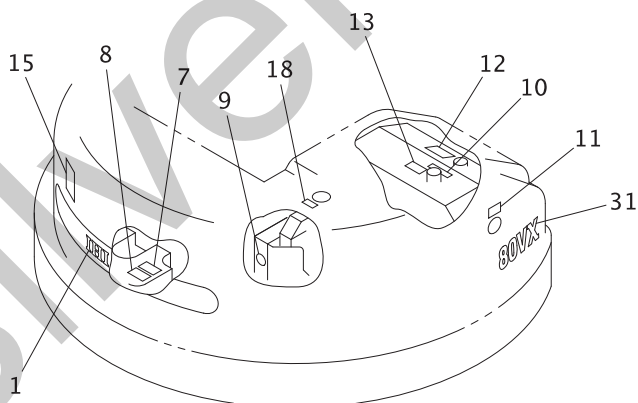
KEY No.	SU P.	PART No.	DESCRIPTION	Q'TY	CHAN	SERIAL No.	REMARKS
0	×	F373 168 00	Weight Ass'y, Counter	1		WK002001-	
1		D263 197 00	*Weight, Counter	1		WK002001-	
2		0555 243 70	*Bolt, Treatment	1		WK002001-	M24X370
3		0595 240 00	*Washer, Treatment	3		WK002001-	M24
4		D006 032 00	*Washer, Flat	3		WK002001-	M24
5		0690 201 13	*Plug, Hole	2		WK002001-	
6		0555 244 50	*Bolt, Treatment	1		WK002001-	M24X450
7		0690 201 11	*Plug, Hole	2		WK002001-	
8		4007 356 01	*Shim	AR		WK002001-	t=1.6
8-1		4007 356 02	*Shim	AR		WK002001-	t=2.3
9		0555 240 70	*Bolt, Treatment	1		WK002001-	M24X70
10		0690 202 97	*Cap	2		WK002001-	
11		0555 160 40	*Bolt, Treatment	2		WK002001-	M16X40
12		0595 160 00	*Washer, Treatment	2		WK002001-	M16
13		D006 038 00	*Washer, Flat	2		WK002001-	M16
14		D414 300 00	*Bracket	2		WK002001-	
15		0690 203 01	*Cap	2		WK002001-	
16		0555 201 70	*Bolt, Treatment	2		WK002001-	M20X170
17		0595 200 00	*Washer, Treatment	2		WK002001-	M20
18		D006 047 00	*Washer, Flat	2		WK002001-	M20
19		D263 062 00	*Weight	1		WK002001-	



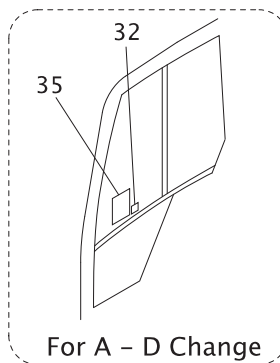
"A" DETAIL



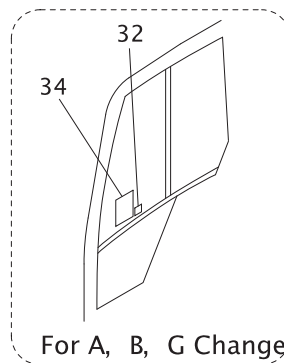
"C" DETAIL



"B" DETAIL



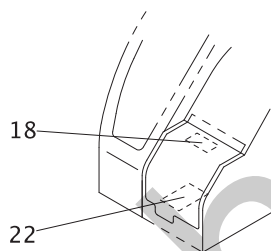
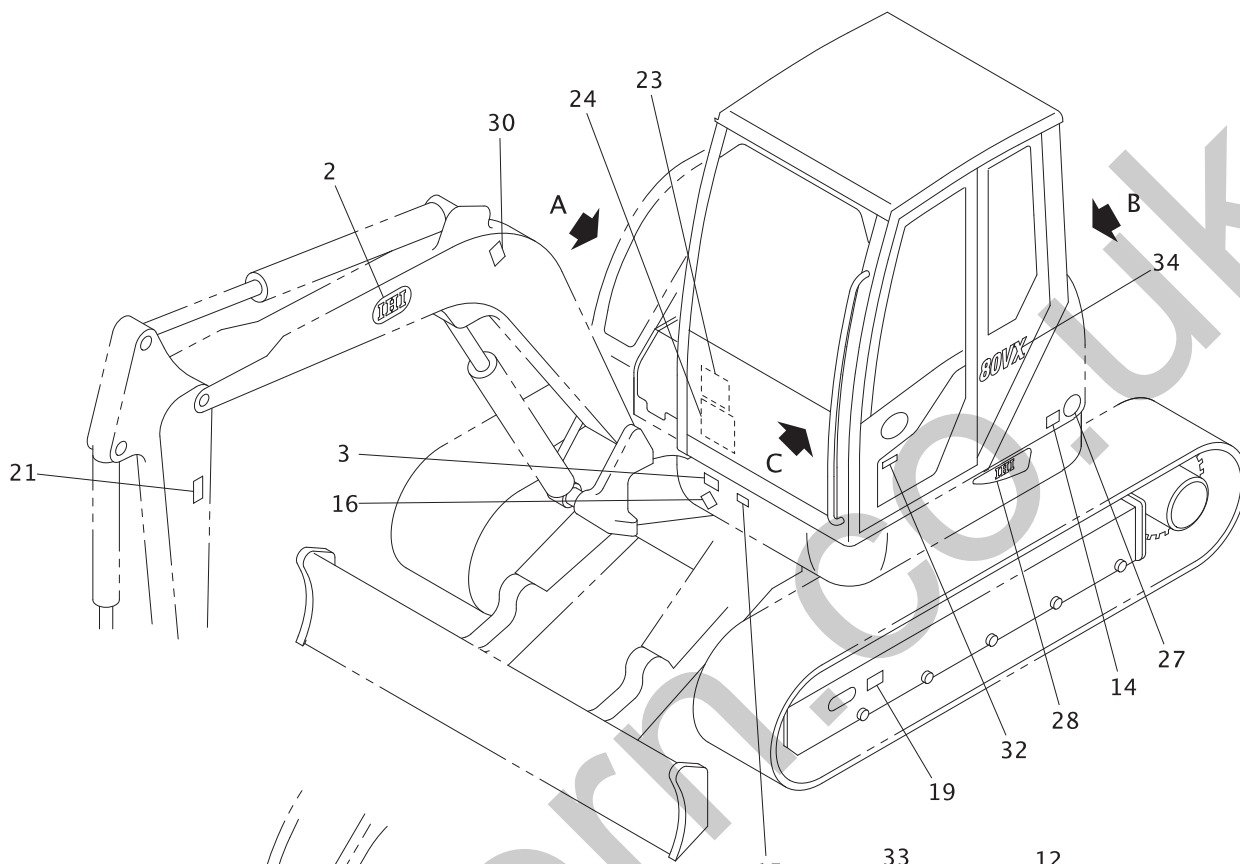
For A - D Change



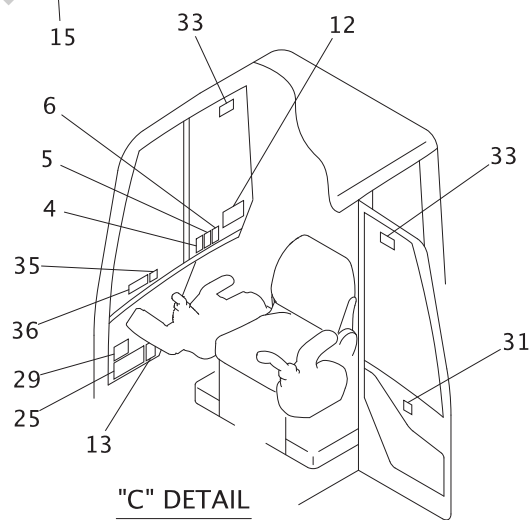
For A, B, G Change

80VX-0808A0-1-0

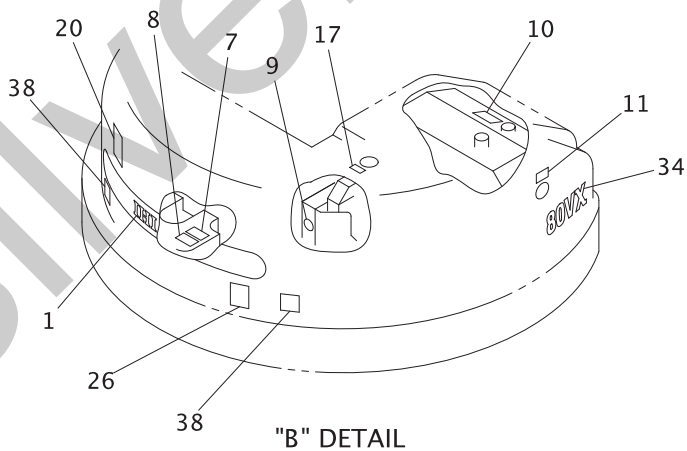
KEY No.	SU P.	PART No.	DESCRIPTION	Q'TY	CHAN	SERIAL No.	REMARKS
0	×	F377 677 00	Plate Ass'y, Name	1		WK004001-	
0-1	×	F377 666 00	Plate Ass'y, Name	1		WK004001-	
0-2	×	F376 464 00	Plate Ass'y, Name	1		WK004001-	
1		D405 465 00	*Plate, Name (IHI)	1		WK004001-	
2		D406 613 00	*Plate, Name (IHI)	2		WK004001-	
3	×	D405 094 00	*Plate, Name (Serial No.)	1		WK004001-	
3-1		0497 035 00	*Screw, Drive	4		WK004001-	d=3
4		D405 449 00	*Plate, Name (Caution)	1		WK004001-	
5		D405 451 00	*Plate, Name (Caution)	1		WK004001-	
6		D405 332 00	*Plate, Name (Caution)	1		WK004001-	
7		D405 664 00	*Plate, Name (Caution)	1		WK004001-	
8		D405 659 00	*Plate, Name (Caution)	1		WK004001-	
9		4407 035 00	*Plate, Name (Anti-Freezing Solution)	1		WK004001-	
10		4447 479 00	*Plate, Name (Oil)	1		WK004001-	
11		4447 650 00	*Plate, Name (Oil Check)	1		WK004001-	
12		4449 252 00	*Plate, Name (Oil)	1		WK004001-	
13		4449 253 00	*Plate, Name (Tank Decompression)	1		WK004001-	
14		D405 373 00	*Plate, Name (Caution)	1		WK004001-	
15		D405 450 00	*Plate, Name (Safty Swing)	1		WK004001-	
16		D405 454 00	*Plate, Name (Caution)	2		WK004001-	
17		D405 455 00	*Plate, Name (Caution)	2		WK004001-	
18		D405 462 00	*Plate, Name (Caution)	1		WK004001-	
19		D405 463 00	*Plate, Name (Caution)	1		WK004001-	
20		D406 597 00	*Plate, Name (Safety Works)	1		WK004001-	
21		D407 881 00	*Plate, Name (Lever Lock)	1		WK004001-	
22		D407 877 00	*Plate, Name (Engine Daily Check)	1		WK004001-	
23		D407 293 00	*Plate, Name (Lub. Chart)	1		WK004001-	
24		D407 329 00	*Plate, Name (Specification)	1		WK004001-	
25		D405 378 00	*Plate, Name (Low Noise)	1		WK004001-	
26		D406 631 00	*Plate, Name (Environment)	1		WK004001-	
27		D406 956 00	*Plate, Name (IHI)	1		WK004001-	
28		4405 871 00	*Plate, Name (Door Release)	1		WK004001-	
29		4448 420 00	*Plate, Name (IHI)	1		WK004001-	
30		D405 453 00	*Plate, Name (Caution)	2		WK004001-	
31		D407 903 00	*Plate, Name (Model)	2		WK004001-	
32		D406 630 00	*Plate, Name (Blade, Pedal)	1		WK004001-	
33		D406 622 00	*Plate, Name (Control A)	1		WK004001-	
33-1		D406 623 00	*Plate, Name (Control B)	1		WK004001-	
33-2		D406 624 00	*Plate, Name (Control C)	1		WK004001-	
33-3		D406 625 00	*Plate, Name (Control D)	1		WK004001-	
33-4		D406 627 00	*Plate, Name (Control G)	1		WK004001-	
34		D406 629 00	*Plate, Name (Control A, B, G)	1		WK004001-	
35		D406 628 00	*Plate, Name (Control A-D)	1		WK004001-	



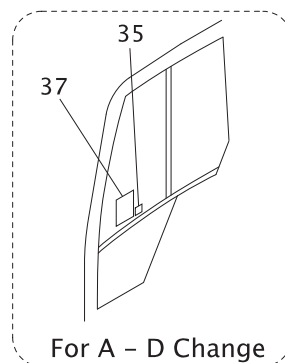
"A" DETAIL



"C" DETAIL



"B" DETAIL



For A - D Change

80VX-0808AA-1-0

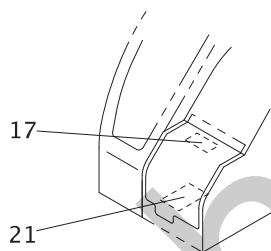
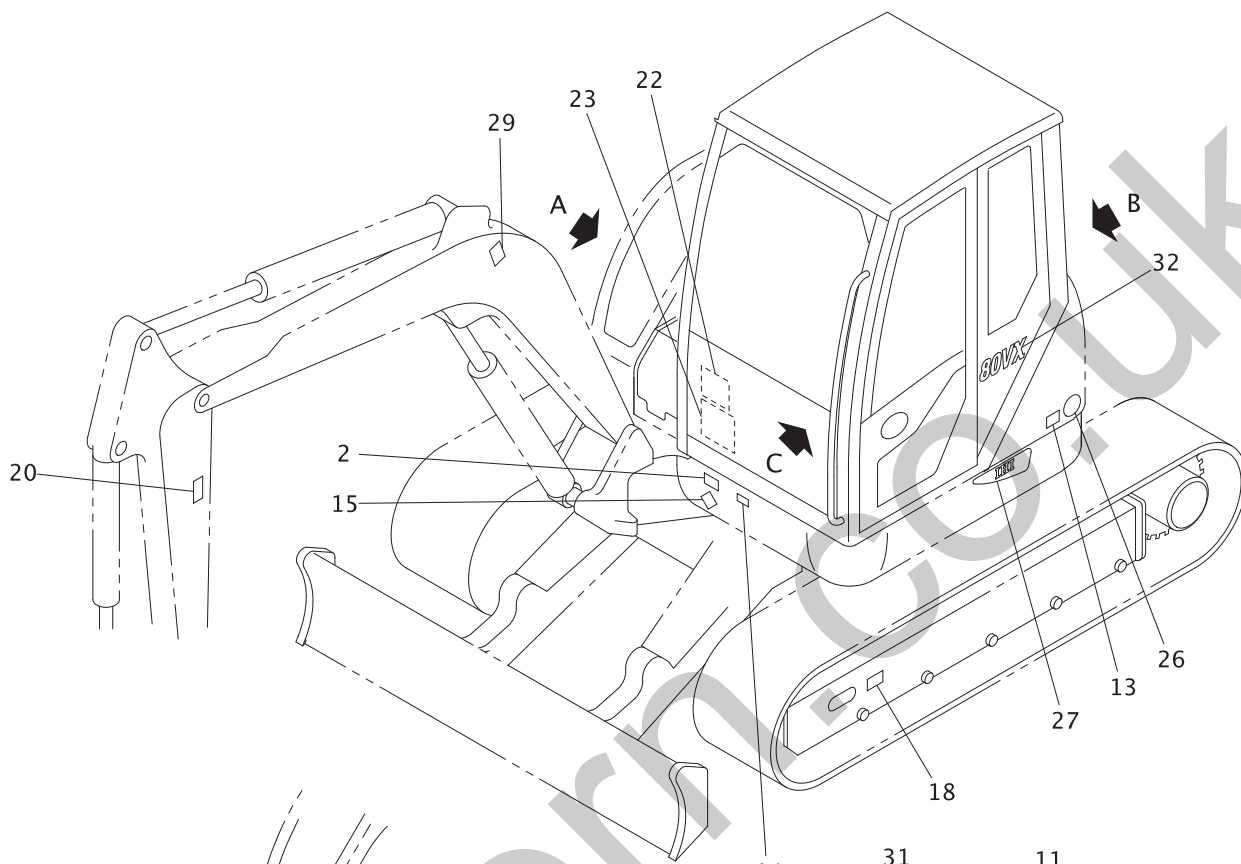
KEY No.	SU P.	PART No.	DESCRIPTION	Q'TY	CHAN	SERIAL No.	REMARKS
0	×	F377 721 00	Plate Ass'y, Name	1		WK004001-	
0-1	×	F377 711 00	Plate Ass'y, Name	1		WK004001-	
0-2	×	F377 700 00	Plate Ass'y, Name	1		WK004001-	
0-3	×	F377 666 00	Plate Ass'y, Name	1		WK004001-	
0-4	×	F771 405 00	Plate Ass'y, Name	1		WK004001-	
1		D405 465 00	*Plate, Name (IHI)	1		WK004001-	
2		D406 613 00	*Plate, Name (IHI)	2		WK004001-	
3	×	D405 094 00	*Plate, Name (Serial No.)	1		WK004001-	
3-1	×	D405 091 00	*Plate, Name (Serial No.)(CE)	1		WK004001-	
3-2		0497 035 00	*Screw, Drive	4		WK004001-	d=3
4		D405 506 00	*Plate, Name (Caution)	1		WK004001-	
5		D405 508 00	*Plate, Name (Caution)	1		WK004001-	
6		D405 359 00	*Plate, Name (Caution)	1		WK004001-	
7		D405 675 00	*Plate, Name (Caution)	1		WK004001-	
8		D405 674 00	*Plate, Name (Caution)	1		WK004001-	
9		4407 035 00	*Plate, Name (Anti-Freezing Solution)	1		WK004001-	
10		4407 974 00	*Plate, Name (Oil)	1		WK004001-	
11		4447 856 00	*Plate, Name (Oil Check)	1		WK004001-	
12		4447 857 00	*Plate, Name (Caution)	1		WK004001-	
13		4406 436 00	*Plate, Name (Shoe Tension)	1		WK004001-	
14		4448 474 00	*Plate, Name (Transport Fix)(CE)	1		WK004001-	
15		4448 651 00	*Plate, Name (Spare Port Change)	1		WK004001-	
16	×	D405 097 00	*Plate, Name (New Machine)	1		WK004001-	
17		D405 503 00	*Plate, Name (Caution)	1		WK004001-	
18		D405 504 00	*Plate, Name (Caution)	1		WK004001-	
19		D405 505 00	*Plate, Name (Caution)	2		WK004001-	
20		D405 507 00	*Plate, Name (Safty Swing)	1		WK004001-	
21		D405 511 00	*Plate, Name (Caution)	2		WK004001-	
22		D405 323 00	*Plate, Name (Caution)	1		WK004001-	
23		4406 458 00	*Plate, Name (Safety Works)	1		WK004001-	
24		D407 887 00	*Plate, Name (Engine Daily Check)	1		WK004001-	
25		D407 295 00	*Plate, Name (Lub. Chart)	1		WK004001-	
26		D406 364 00	*Plate, Name (Noise 98)(CE)	1		WK004001-	
27		D406 783 00	*Plate, Name (Environment)	1		WK004001-	
28		D407 913 00	*Plate, Name (IHI)	1		WK004001-	
29		D406 174 00	*Plate, Name (Boom Lowering)(CE)	1		WK004001-	
30		D405 812 00	*Plate, Name (Lifting Procedures)(CE)	1		WK004001-	
31		4405 872 00	*Plate, Name (Door Release)	1		WK004001-	
32		4448 420 00	*Plate, Name (IHI)	1		WK004001-	
33		D405 510 00	*Plate, Name (Caution)	2		WK004001-	
34		D407 903 00	*Plate, Name (Model)	2		WK004001-	

KEY No.	SU P.	PART No.	DESCRIPTION	Q'TY	CHAN .	SERIAL No.	REMARKS
35		D406 630 00	*Plate, Name (Blade, Pedal)	1		WK004001-	
36		D406 622 00	*Plate, Name (Control A)	1		WK004001-	
36-1		D406 623 00	*Plate, Name (Control B)	1		WK004001-	
36-2		D406 624 00	*Plate, Name (Control C)	1		WK004001-	
36-3		D406 625 00	*Plate, Name (Control D)	1		WK004001-	
36-4		D406 626 00	*Plate, Name (Control F)	1		WK004001-	
37		D406 628 00	*Plate, Name (Control A-D)	1		WK004001-	
38		D406 918 00	*Plate, Name (Reflector)(CE)	2		WK004001-	

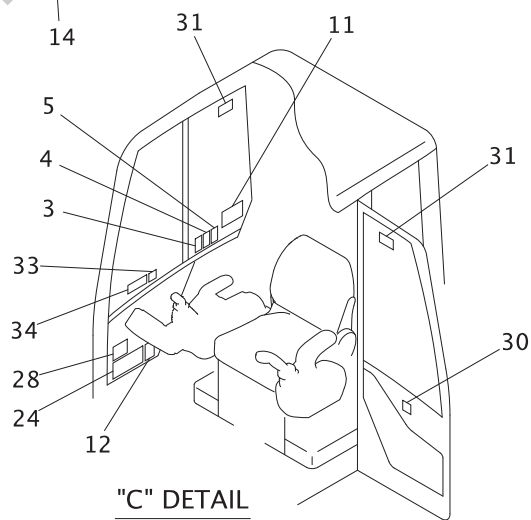
Silverhorn.CO.UK

[Memo]

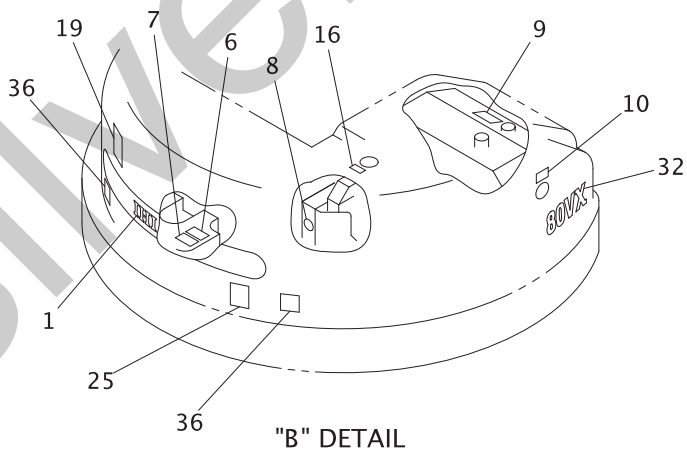
Silverhorn.CO.UK



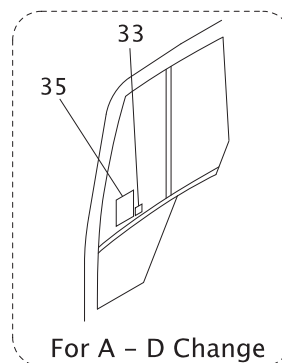
"A" DETAIL



"C" DETAIL



"B" DETAIL



For A - D Change

80VX-0808AB-1-0

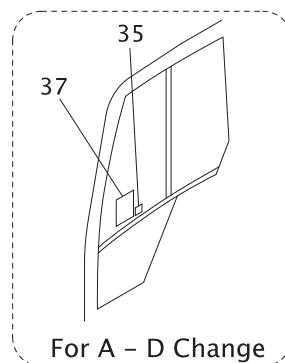
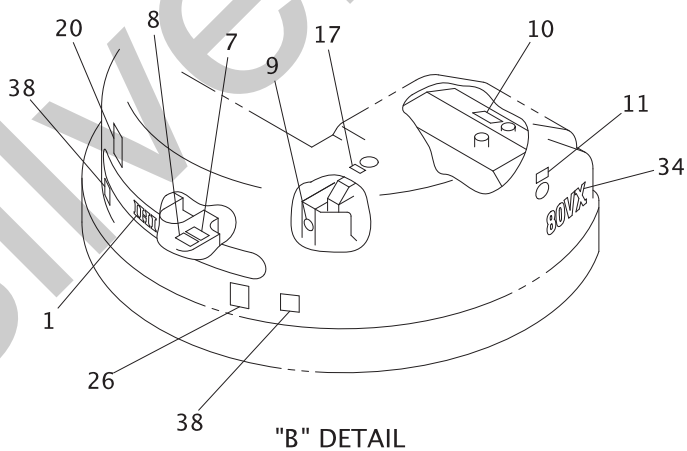
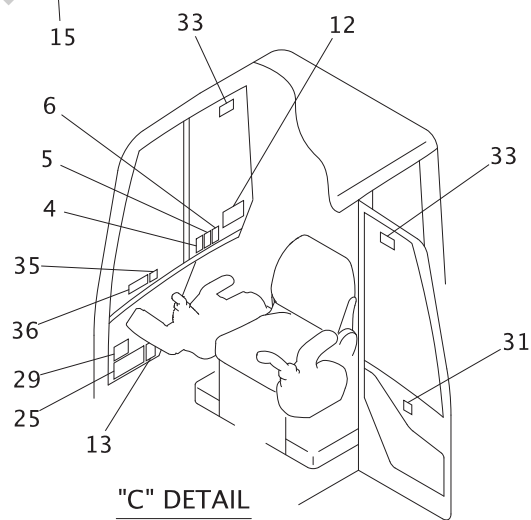
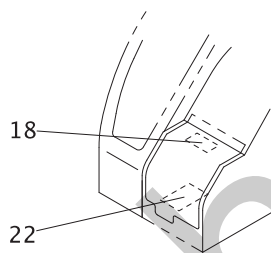
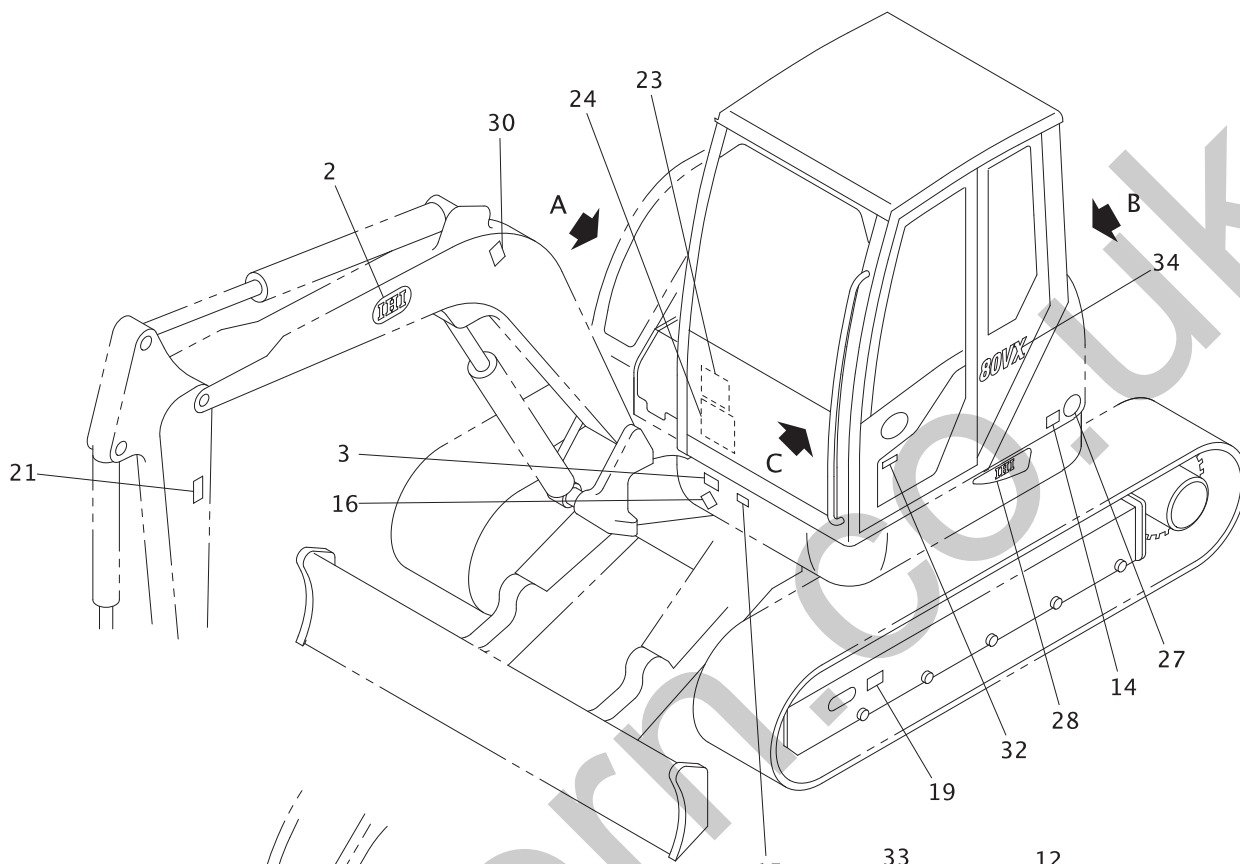
KEY No.	SU P.	PART No.	DESCRIPTION	Q'TY	CHAN	SERIAL No.	REMARKS
0	×	F377 689 00	Plate Ass'y, Name	1		WK004001-	
0-1	×	F377 666 00	Plate Ass'y, Name	1		WK004001-	
0-2	×	F771 405 00	Plate Ass'y, Name	1		WK004001-	
1		D405 465 00	*Plate, Name (IHI)	1		WK004001-	
2	×	D405 091 00	*Plate, Name (Serial No.)	1		WK004001-	
2-1		0497 035 00	*Screw, Drive	4		WK004001-	d=3
3		D405 506 00	*Plate, Name (Caution)	1		WK004001-	
4		D405 508 00	*Plate, Name (Caution)	1		WK004001-	
5		D405 359 00	*Plate, Name (Caution)	1		WK004001-	
6		D405 675 00	*Plate, Name (Caution)	1		WK004001-	
7		D405 674 00	*Plate, Name (Caution)	1		WK004001-	
8		4405 456 00	*Plate, Name (Anti-Freezing Solution)	1		WK004001-	
9		4405 457 00	*Plate, Name (Oil)	1		WK004001-	
10		4447 922 00	*Plate, Name (Oil Check)	1		WK004001-	
11		4447 925 00	*Plate, Name (Caution)	1		WK004001-	
12		4447 972 00	*Plate, Name (Shoe Tension)	1		WK004001-	
13		4448 511 00	*Plate, Name (Transport Fix)	1		WK004001-	
14		4448 944 00	*Plate, Name (Spare Port Change)	1		WK004001-	
15	×	D405 097 00	*Plate, Name (New Machine)	1		WK004001-	
16		D405 503 00	*Plate, Name (Caution)	1		WK004001-	
17		D405 504 00	*Plate, Name (Caution)	1		WK004001-	
18		D405 505 00	*Plate, Name (Caution)	2		WK004001-	
19		D405 507 00	*Plate, Name (Safty Swing)	1		WK004001-	
20		D405 511 00	*Plate, Name (Caution)	2		WK004001-	
21		D405 571 00	*Plate, Name (Caution)	1		WK004001-	
22		D406 795 00	*Plate, Name (Safety Works)	1		WK004001-	
23		D407 917 00	*Plate, Name (Engine Daily Check)	1		WK004001-	
24		D407 304 00	*Plate, Name (Lub. Chart)	1		WK004001-	
25		D406 364 00	*Plate, Name (Noise 98)	1		WK004001-	
26		D406 783 00	*Plate, Name (Environment)	1		WK004001-	
27		D406 956 00	*Plate, Name (IHI)	1		WK004001-	
28		D406 177 00	*Plate, Name (Boom Lowering)	1		WK004001-	
29		D405 815 00	*Plate, Name (Lifting Procedures)	1		WK004001-	
30		4405 920 00	*Plate, Name (Door Release)	1		WK004001-	
31		D405 510 00	*Plate, Name (Caution)	2		WK004001-	
32		D407 903 00	*Plate, Name (Model)	2		WK004001-	
33		D406 630 00	*Plate, Name (Blade, Pedal)	1		WK004001-	
34		D406 622 00	*Plate, Name (Control A)	1		WK004001-	
34-1		D406 623 00	*Plate, Name (Control B)	1		WK004001-	
34-2		D406 624 00	*Plate, Name (Control C)	1		WK004001-	
34-3		D406 625 00	*Plate, Name (Control D)	1		WK004001-	
35		D406 628 00	*Plate, Name (Control A-D)	1		WK004001-	

KEY No.	SU P.	PART No.	DESCRIPTION	Q'TY	CHAN	SERIAL No.	REMARKS
36		D406 918 00	*Plate, Name (Reflector)	2		WK004001-	

Silverhorn.CO.UK

[Memo]

Silverhorn.CO.UK



80VX-0808AC-1-0

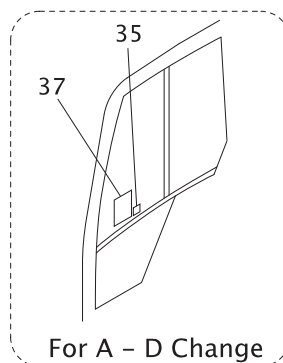
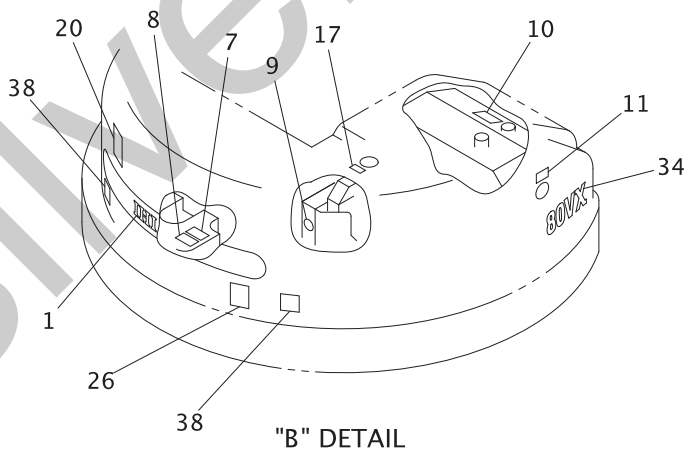
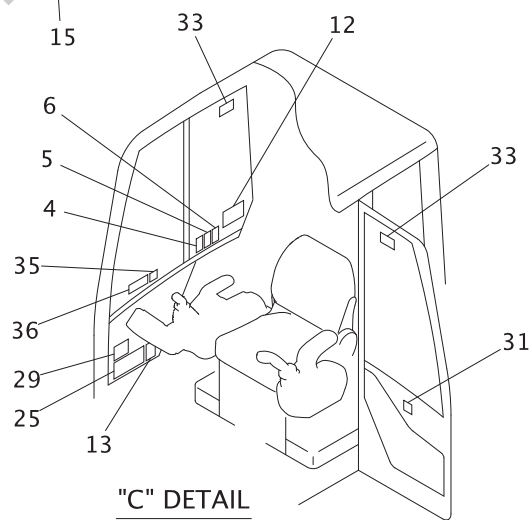
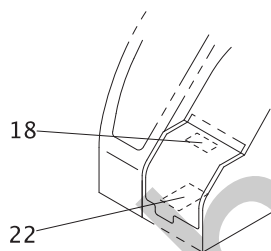
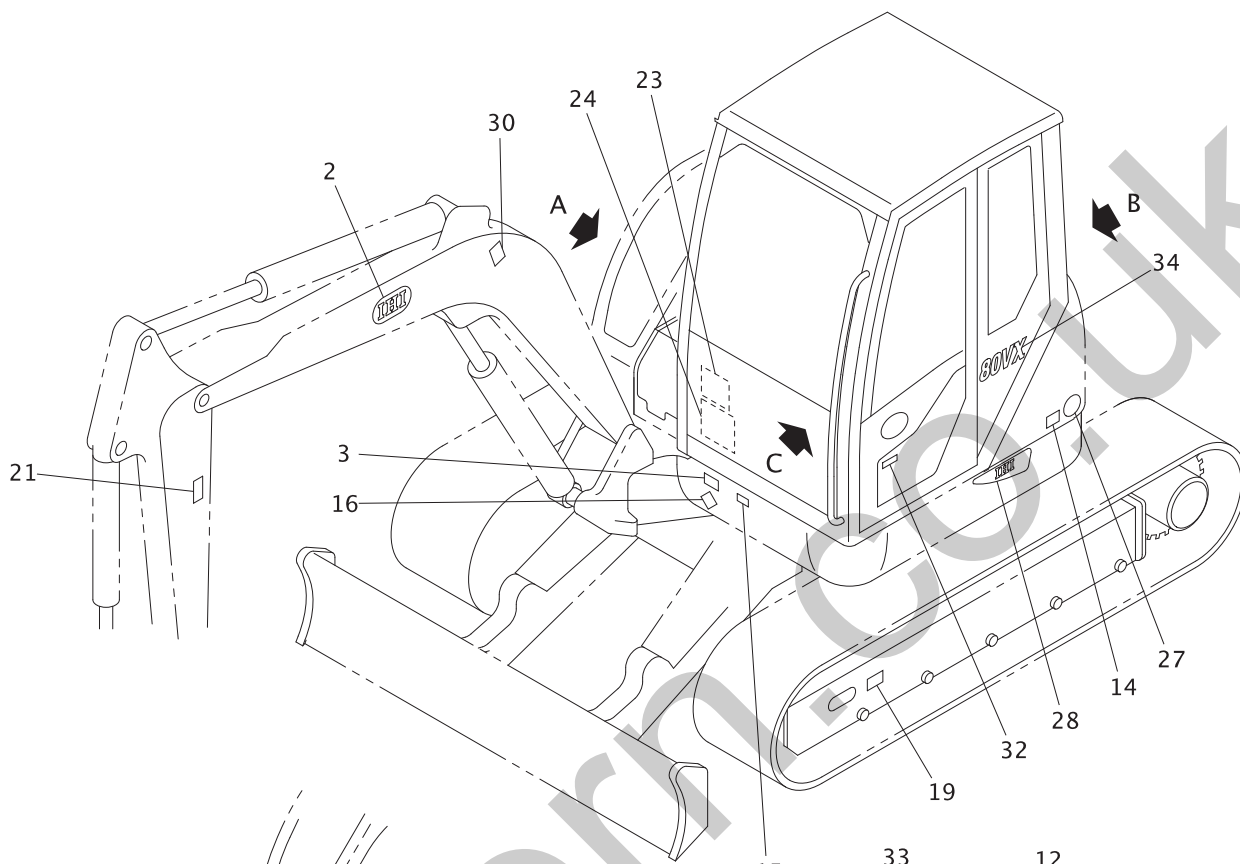
KEY No.	SU P.	PART No.	DESCRIPTION	Q'TY	CHAN	SERIAL No.	REMARKS
0	×	F377 743 00	Plate Ass'y, Name	1		WK004001-	
0-1	×	F377 666 00	Plate Ass'y, Name	1		WK004001-	
0-2	×	F771 405 00	Plate Ass'y, Name	1		WK004001-	
1		D405 465 00	*Plate, Name (IHI)	1		WK004001-	
2		D406 613 00	*Plate, Name (IHI)	2		WK004001-	
3	×	D405 091 00	*Plate, Name (Serial No.)	1		WK004001-	
3-1		0497 035 00	*Screw, Drive	4		WK004001-	d=3
4		D405 506 00	*Plate, Name (Caution)	1		WK004001-	
5		D405 508 00	*Plate, Name (Caution)	1		WK004001-	
6		D405 359 00	*Plate, Name (Caution)	1		WK004001-	
7		D405 675 00	*Plate, Name (Caution)	1		WK004001-	
8		D405 674 00	*Plate, Name (Caution)	1		WK004001-	
9		4406 710 00	*Plate, Name (Anti-Freezing Solution)	1		WK004001-	
10		4407 974 00	*Plate, Name (Oil)	1		WK004001-	
11		4447 999 00	*Plate, Name (Oil Check)	1		WK004001-	
12		4447 996 00	*Plate, Name (Caution)	1		WK004001-	
13		4447 993 00	*Plate, Name (Shoe Tension)	1		WK004001-	
14		4448 542 00	*Plate, Name (Transport Fix)	1		WK004001-	
15		4448 687 00	*Plate, Name (Spare Port Change)	1		WK004001-	
16	×	D405 097 00	*Plate, Name (New Machine)	1		WK004001-	
17		D405 503 00	*Plate, Name (Caution)	1		WK004001-	
18		D405 504 00	*Plate, Name (Caution)	1		WK004001-	
19		D405 505 00	*Plate, Name (Caution)	2		WK004001-	
20		D405 507 00	*Plate, Name (Safy Swing)	1		WK004001-	
21		D405 511 00	*Plate, Name (Caution)	2		WK004001-	
22		D405 575 00	*Plate, Name (Caution)	1		WK004001-	
23		4406 714 00	*Plate, Name (Safety Works)	1		WK004001-	
24		D407 889 00	*Plate, Name (Engine Daily Check)	1		WK004001-	
25		D407 298 00	*Plate, Name (Lub. Chart)	1		WK004001-	
26		D406 364 00	*Plate, Name (Noise 98)	1		WK004001-	
27		D406 783 00	*Plate, Name (Environment)	1		WK004001-	
28		D407 913 00	*Plate, Name (IHI)	1		WK004001-	
29		D406 175 00	*Plate, Name (Boom Lowering)	1		WK004001-	
30		D405 797 00	*Plate, Name (Lifting Procedures)	1		WK004001-	
31		4405 919 00	*Plate, Name (Door Release)	1		WK004001-	
32		4448 420 00	*Plate, Name (IHI)	1		WK004001-	
33		D405 510 00	*Plate, Name (Caution)	2		WK004001-	
34		D407 903 00	*Plate, Name (Model)	2		WK004001-	
35		D406 630 00	*Plate, Name (Blade, Pedal)	1		WK004001-	
36		D406 622 00	*Plate, Name (Control A)	1		WK004001-	
36-1		D406 623 00	*Plate, Name (Control B)	1		WK004001-	
36-2		D406 624 00	*Plate, Name (Control C)	1		WK004001-	

KEY No.	SU P.	PART No.	DESCRIPTION	Q'TY	CHAN	SERIAL No.	REMARKS
36-3		D406 625 00	*Plate, Name (Control D)	1		WK004001-	
37		D406 628 00	*Plate, Name (Control A-D)	1		WK004001-	
38		D406 918 00	*Plate, Name (Reflector)	2		WK004001-	

Silverhorn.CO.UK

[Memo]

Silverhorn.CO.UK



80VX-0808AD-1-0

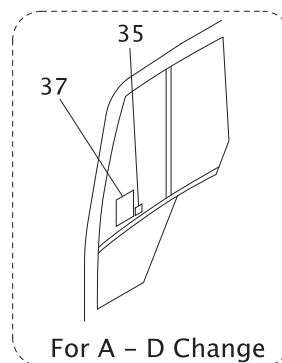
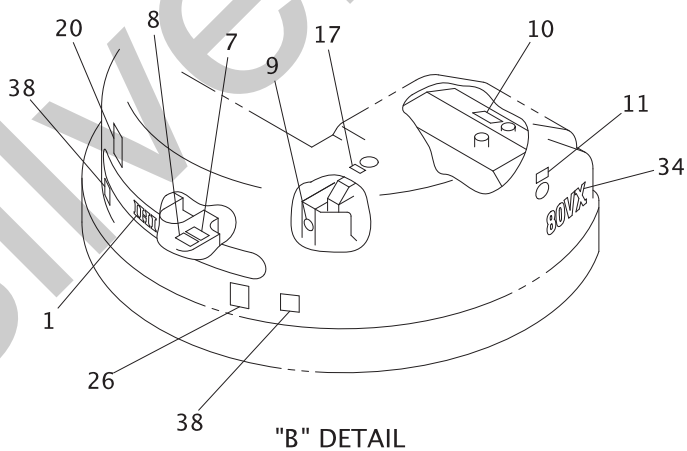
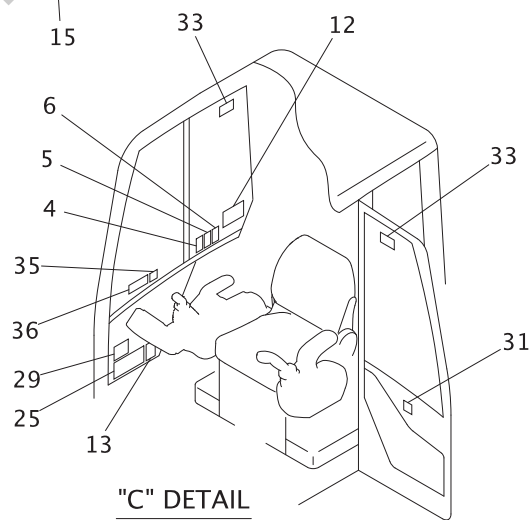
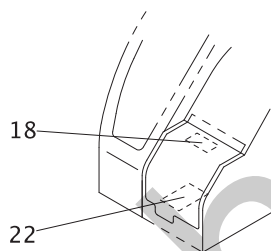
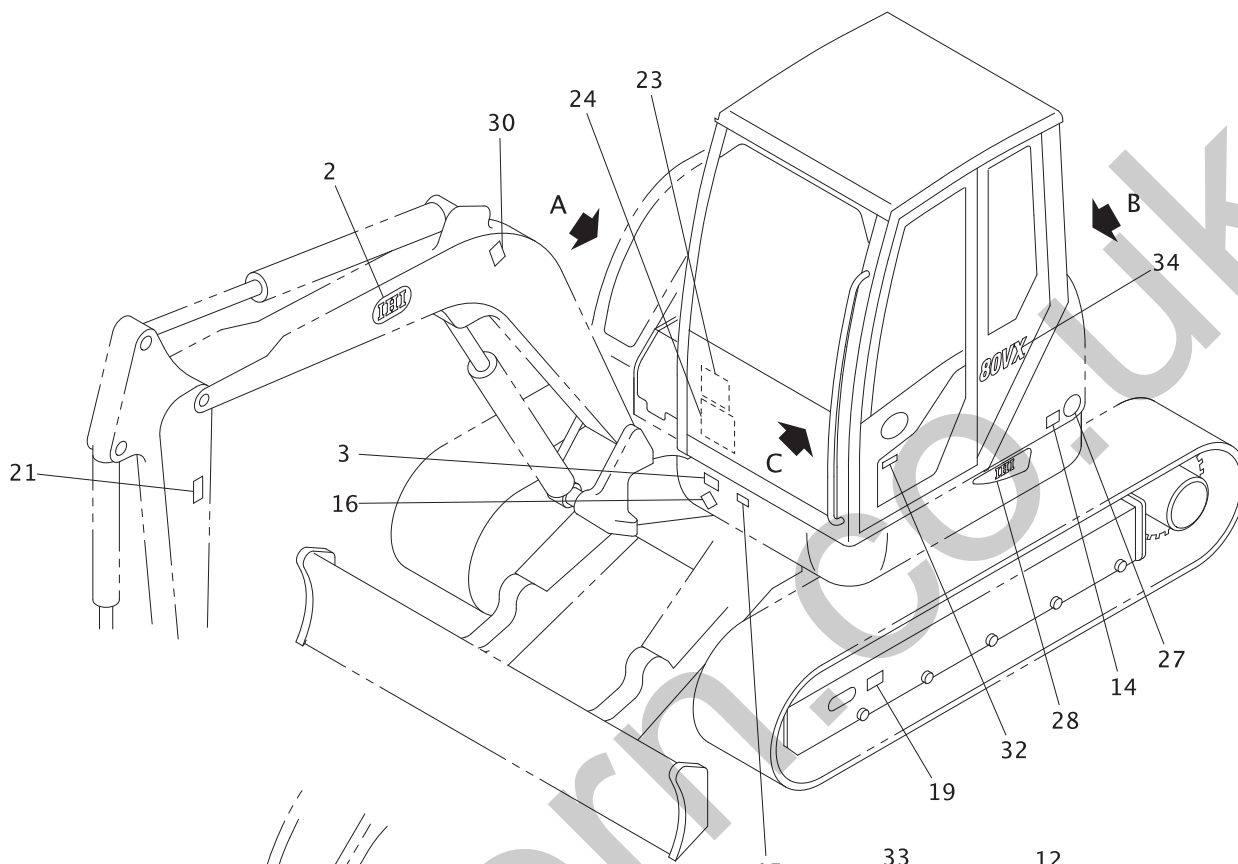
KEY No.	SU P.	PART No.	DESCRIPTION	Q'TY	CHAN	SERIAL No.	REMARKS
0	×	F377 732 00	Plate Ass'y, Name	1		WK004001-	
0-1	×	F377 666 00	Plate Ass'y, Name	1		WK004001-	
0-2	×	F771 405 00	Plate Ass'y, Name	1		WK004001-	
1		D405 465 00	*Plate, Name (IHI)	1		WK004001-	
2		D406 613 00	*Plate, Name (IHI)	2		WK004001-	
3	×	D405 091 00	*Plate, Name (Serial No.)	1		WK004001-	
3-1		0497 035 00	*Screw, Drive	4		WK004001-	d=3
4		D405 506 00	*Plate, Name (Caution)	1		WK004001-	
5		D405 508 00	*Plate, Name (Caution)	1		WK004001-	
6		D405 359 00	*Plate, Name (Caution)	1		WK004001-	
7		D405 675 00	*Plate, Name (Caution)	1		WK004001-	
8		D405 674 00	*Plate, Name (Caution)	1		WK004001-	
9		4447 229 00	*Plate, Name (Anti-Freezing Solution)	1		WK004001-	
10		4405 457 00	*Plate, Name (Oil)	1		WK004001-	
11		4447 938 00	*Plate, Name (Oil Check)	1		WK004001-	
12		4448 350 00	*Plate, Name (Caution)	1		WK004001-	
13		4447 881 00	*Plate, Name (Shoe Tension)	1		WK004001-	
14		D405 059 00	*Plate, Name (Transport Fix)	1		WK004001-	
15		D405 256 00	*Plate, Name (Spare Port Change)	1		WK004001-	
16	×	D405 097 00	*Plate, Name (New Machine)	1		WK004001-	
17		D405 503 00	*Plate, Name (Caution)	1		WK004001-	
18		D405 504 00	*Plate, Name (Caution)	1		WK004001-	
19		D405 505 00	*Plate, Name (Caution)	2		WK004001-	
20		D405 507 00	*Plate, Name (Safy Swing)	1		WK004001-	
21		D405 511 00	*Plate, Name (Caution)	2		WK004001-	
22		D405 587 00	*Plate, Name (Caution)	1		WK004001-	
23		4447 882 00	*Plate, Name (Safety Works)	1		WK004001-	
24		D407 906 00	*Plate, Name (Engine Daily Check)	1		WK004001-	
25		D407 296 00	*Plate, Name (Lub. Chart)	1		WK004001-	
26		D406 364 00	*Plate, Name (Noise 98)	1		WK004001-	
27		D406 783 00	*Plate, Name (Environment)	1		WK004001-	
28		D407 913 00	*Plate, Name (IHI)	1		WK004001-	
29		D406 176 00	*Plate, Name (Boom Lowering)	1		WK004001-	
30		D405 824 00	*Plate, Name (Lifting Procedures)	1		WK004001-	
31		4447 227 00	*Plate, Name (Door Release)	1		WK004001-	
32		4448 420 00	*Plate, Name (IHI)	1		WK004001-	
33		D405 510 00	*Plate, Name (Caution)	2		WK004001-	
34		D407 903 00	*Plate, Name (Model)	2		WK004001-	
35		D406 630 00	*Plate, Name (Blade, Pedal)	1		WK004001-	
36		D406 622 00	*Plate, Name (Control A)	1		WK004001-	
36-1		D406 623 00	*Plate, Name (Control B)	1		WK004001-	
36-2		D406 624 00	*Plate, Name (Control C)	1		WK004001-	

KEY No.	SU P.	PART No.	DESCRIPTION	Q'TY	CHAN	SERIAL No.	REMARKS
36-3		D406 625 00	*Plate, Name (Control D)	1		WK004001-	
37		D406 628 00	*Plate, Name (Control A-D)	1		WK004001-	
38		D406 918 00	*Plate, Name (Reflector)	2		WK004001-	

Silverhorn.CO.UK

[Memo]

Silverhorn.CO.UK



80VX-0808AE-1-0

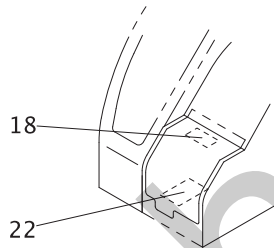
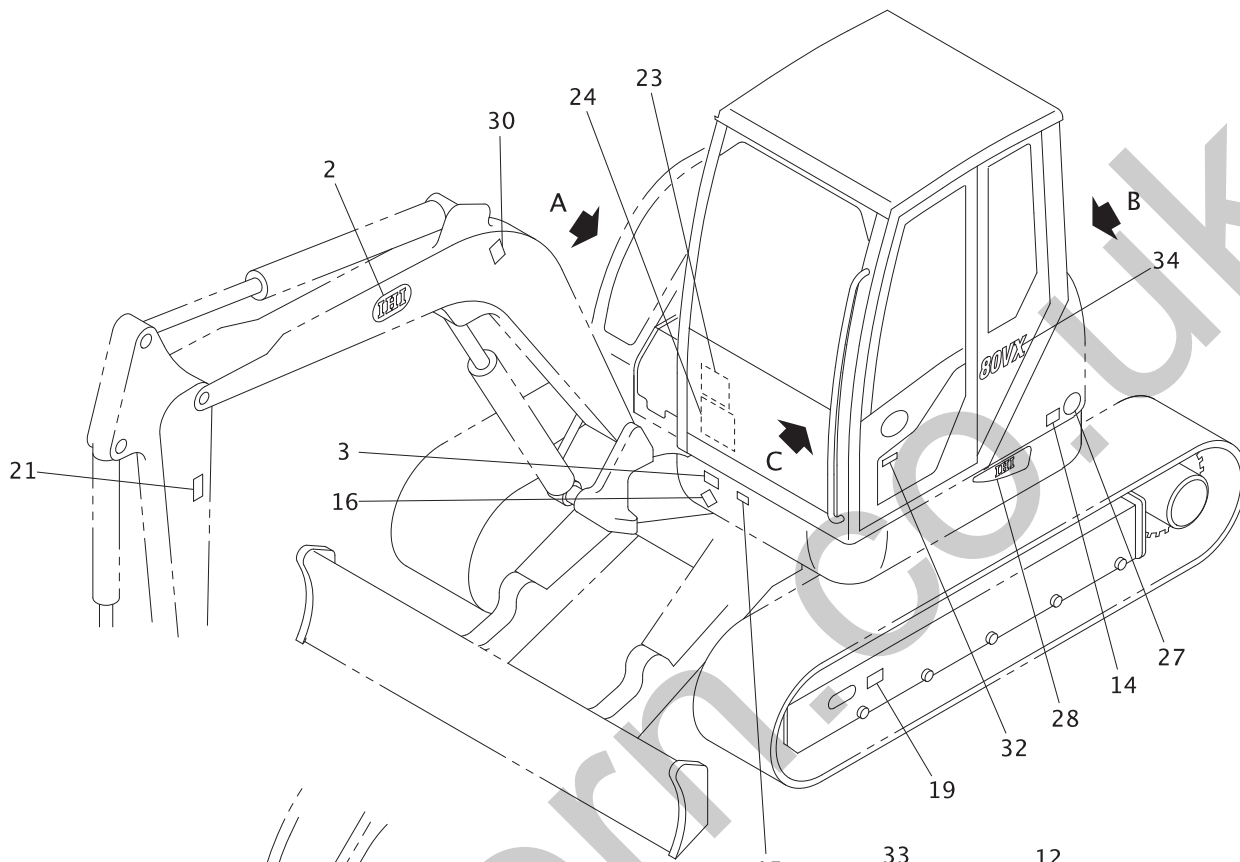
KEY No.	SU P.	PART No.	DESCRIPTION	Q'TY	CHAN	SERIAL No.	REMARKS
0	×	F377 775 00	Plate Ass'y, Name	1		WK004001-	
0-1	×	F377 666 00	Plate Ass'y, Name	1		WK004001-	
0-2	×	F771 405 00	Plate Ass'y, Name	1		WK004001-	
1		D405 465 00	*Plate, Name (IHI)	1		WK004001-	
2		D406 613 00	*Plate, Name (IHI)	2		WK004001-	
3	×	D405 091 00	*Plate, Name (Serial No.)	1		WK004001-	
3-1		0497 035 00	*Screw, Drive	4		WK004001-	d=3
4		D405 506 00	*Plate, Name (Caution)	1		WK004001-	
5		D405 508 00	*Plate, Name (Caution)	1		WK004001-	
6		D405 359 00	*Plate, Name (Caution)	1		WK004001-	
7		D405 675 00	*Plate, Name (Caution)	1		WK004001-	
8		D405 674 00	*Plate, Name (Caution)	1		WK004001-	
9		4448 598 00	*Plate, Name (Anti-Freezing Solution)	1		WK004001-	
10		4405 457 00	*Plate, Name (Oil)	1		WK004001-	
11		4448 606 00	*Plate, Name (Oil Check)	1		WK004001-	
12		4448 607 00	*Plate, Name (Caution)	1		WK004001-	
13		4448 602 00	*Plate, Name (Shoe Tension)	1		WK004001-	
14		4448 619 00	*Plate, Name (Transport Fix)	1		WK004001-	
15		4449 406 00	*Plate, Name (Spare Port Change)	1		WK004001-	
16	×	D405 097 00	*Plate, Name (New Machine)	1		WK004001-	
17		D405 503 00	*Plate, Name (Caution)	1		WK004001-	
18		D405 504 00	*Plate, Name (Caution)	1		WK004001-	
19		D405 505 00	*Plate, Name (Caution)	2		WK004001-	
20		D405 507 00	*Plate, Name (Safy Swing)	1		WK004001-	
21		D405 511 00	*Plate, Name (Caution)	2		WK004001-	
22		D405 594 00	*Plate, Name (Caution)	1		WK004001-	
23		4448 603 00	*Plate, Name (Safety Works)	1		WK004001-	
24		D407 912 00	*Plate, Name (Engine Daily Check)	1		WK004001-	
25		D407 302 00	*Plate, Name (Lub. Chart)	1		WK004001-	
26		D406 364 00	*Plate, Name (Noise 98)	1		WK004001-	
27		D406 783 00	*Plate, Name (Environment)	1		WK004001-	
28		D407 913 00	*Plate, Name (IHI)	1		WK004001-	
29		D406 179 00	*Plate, Name (Boom Lowering)	1		WK004001-	
30		D405 821 00	*Plate, Name (Lifting Procedures)	1		WK004001-	
31		4448 647 00	*Plate, Name (Door Release)	1		WK004001-	
32		4448 420 00	*Plate, Name (IHI)	1		WK004001-	
33		D405 510 00	*Plate, Name (Caution)	2		WK004001-	
34		D407 903 00	*Plate, Name (Model)	2		WK004001-	
35		D406 630 00	*Plate, Name (Blade, Pedal)	1		WK004001-	
36		D406 622 00	*Plate, Name (Control A)	1		WK004001-	
36-1		D406 623 00	*Plate, Name (Control B)	1		WK004001-	
36-2		D406 624 00	*Plate, Name (Control C)	1		WK004001-	

KEY No.	SU P.	PART No.	DESCRIPTION	Q'TY	CHAN	SERIAL No.	REMARKS
36-3		D406 625 00	*Plate, Name (Control D)	1		WK004001-	
37		D406 628 00	*Plate, Name (Control A-D)	1		WK004001-	
38		D406 918 00	*Plate, Name (Reflector)	2		WK004001-	

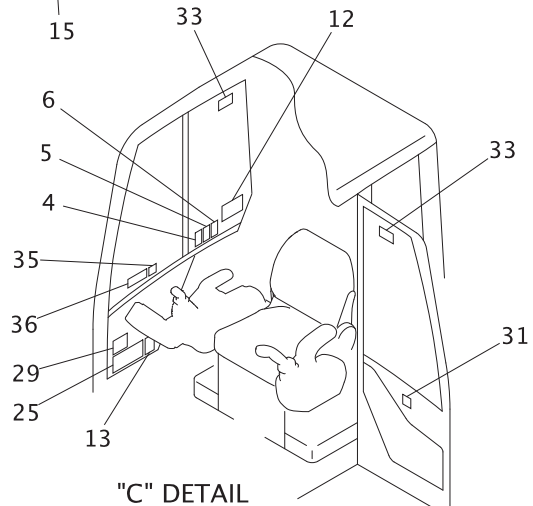
Silverhorn.CO.UK

[Memo]

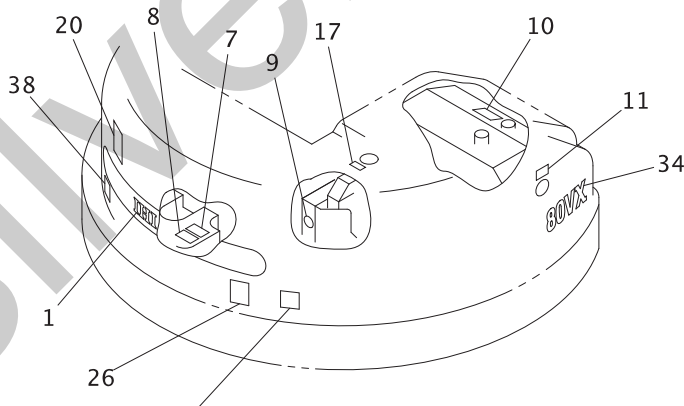
Silverhorn.CO.UK



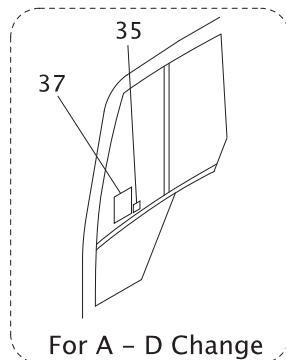
"A" DETAIL



"C" DETAIL



"B" DETAIL



For A - D Change

80VX-0808AF-1-0

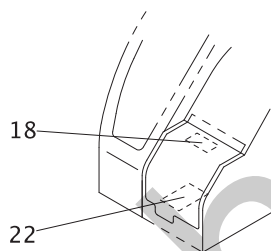
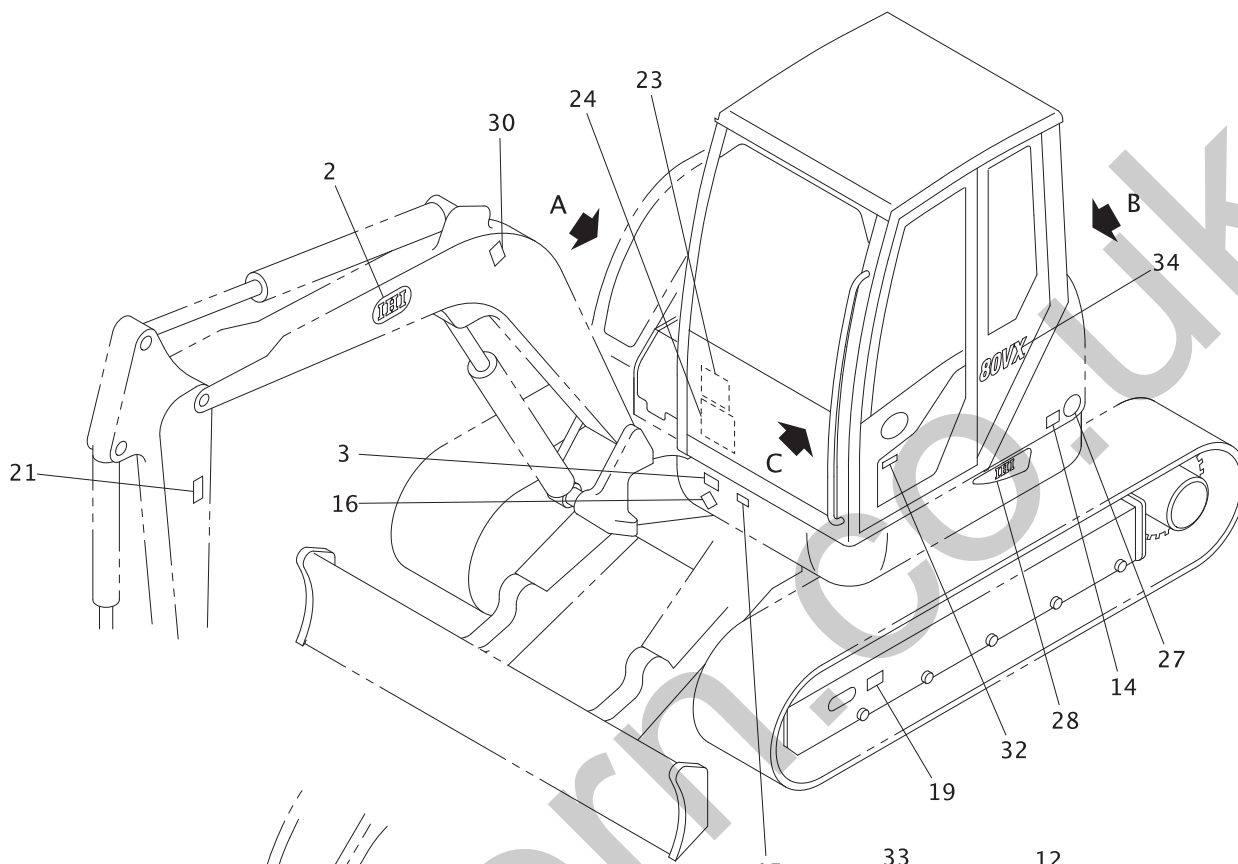
KEY No.	SU P.	PART No.	DESCRIPTION	Q'TY	CHAN	SERIAL No.	REMARKS
0	×	F377 764 00	Plate Ass'y, Name	1		WK004001-	
0-1	×	F377 666 00	Plate Ass'y, Name	1		WK004001-	
0-2	×	F771 405 00	Plate Ass'y, Name	1		WK004001-	
1		D405 465 00	*Plate, Name (IHI)	1		WK004001-	
2		D406 613 00	*Plate, Name (IHI)	2		WK004001-	
3	×	D405 091 00	*Plate, Name (Serial No.)	1		WK004001-	
3-1		0497 035 00	*Screw, Drive	4		WK004001-	d=3
4		D405 506 00	*Plate, Name (Caution)	1		WK004001-	
5		D405 508 00	*Plate, Name (Caution)	1		WK004001-	
6		D405 359 00	*Plate, Name (Caution)	1		WK004001-	
7		D405 675 00	*Plate, Name (Caution)	1		WK004001-	
8		D405 674 00	*Plate, Name (Caution)	1		WK004001-	
9		4448 573 00	*Plate, Name (Anti-Freezing Solution)	1		WK004001-	
10		4405 457 00	*Plate, Name (Oil)	1		WK004001-	
11		4448 574 00	*Plate, Name (Oil Check)	1		WK004001-	
12		4448 587 00	*Plate, Name (Caution)	1		WK004001-	
13		4448 583 00	*Plate, Name (Shoe Tension)	1		WK004001-	
14		4448 562 00	*Plate, Name (Transport Fix)	1		WK004001-	
15		4449 003 00	*Plate, Name (Spare Port Change)	1		WK004001-	
16	×	D405 097 00	*Plate, Name (New Machine)	1		WK004001-	
17		D405 503 00	*Plate, Name (Caution)	1		WK004001-	
18		D405 504 00	*Plate, Name (Caution)	1		WK004001-	
19		D405 505 00	*Plate, Name (Caution)	2		WK004001-	
20		D405 507 00	*Plate, Name (Safy Swing)	1		WK004001-	
21		D405 511 00	*Plate, Name (Caution)	2		WK004001-	
22		D405 559 00	*Plate, Name (Caution)	1		WK004001-	
23		4448 584 00	*Plate, Name (Safety Works)	1		WK004001-	
24		D407 891 00	*Plate, Name (Engine Daily Check)	1		WK004001-	
25		D407 300 00	*Plate, Name (Lub. Chart)	1		WK004001-	
26		D406 364 00	*Plate, Name (Noise 98)	1		WK004001-	
27		D406 783 00	*Plate, Name (Environment)	1		WK004001-	
28		D407 913 00	*Plate, Name (IHI)	1		WK004001-	
29		D406 178 00	*Plate, Name (Boom Lowering)	1		WK004001-	
30		D405 818 00	*Plate, Name (Lifting Procedures)	1		WK004001-	
31		4448 597 00	*Plate, Name (Door Release)	1		WK004001-	
32		4448 420 00	*Plate, Name (IHI)	1		WK004001-	
33		D405 510 00	*Plate, Name (Caution)	2		WK004001-	
34		D407 903 00	*Plate, Name (Model)	2		WK004001-	
35		D406 630 00	*Plate, Name (Blade, Pedal)	1		WK004001-	
36		D406 622 00	*Plate, Name (Control A)	1		WK004001-	
36-1		D406 623 00	*Plate, Name (Control B)	1		WK004001-	
36-2		D406 624 00	*Plate, Name (Control C)	1		WK004001-	

KEY No.	SU P.	PART No.	DESCRIPTION	Q'TY	CHAN	SERIAL No.	REMARKS
36-3		D406 625 00	*Plate, Name (Control D)	1		WK004001-	
37		D406 628 00	*Plate, Name (Control A-D)	1		WK004001-	
38		D406 918 00	*Plate, Name (Reflector)	2		WK004001-	

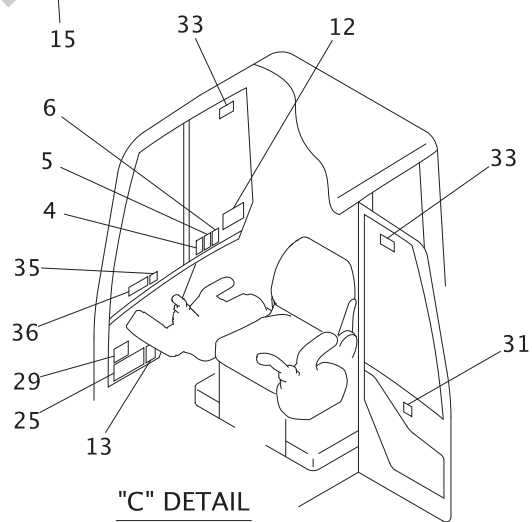
Silverhorn.CO.UK

[Memo]

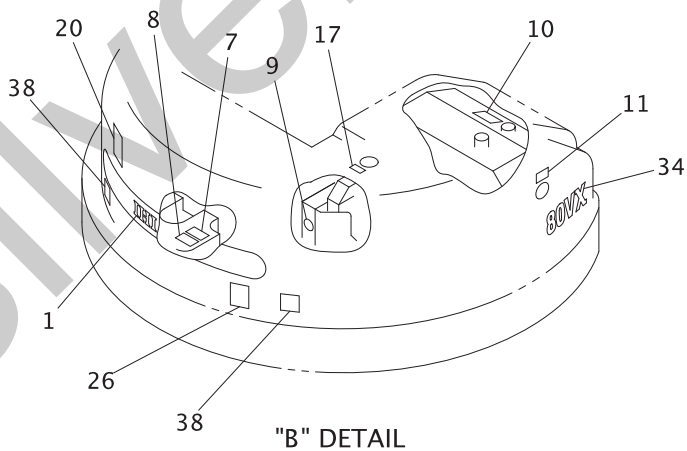
Silverhorn.CO.UK



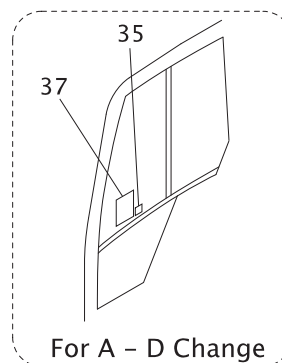
"A" DETAIL



"C" DETAIL



"B" DETAIL



For A - D Change

80VX-0808AG-1-0

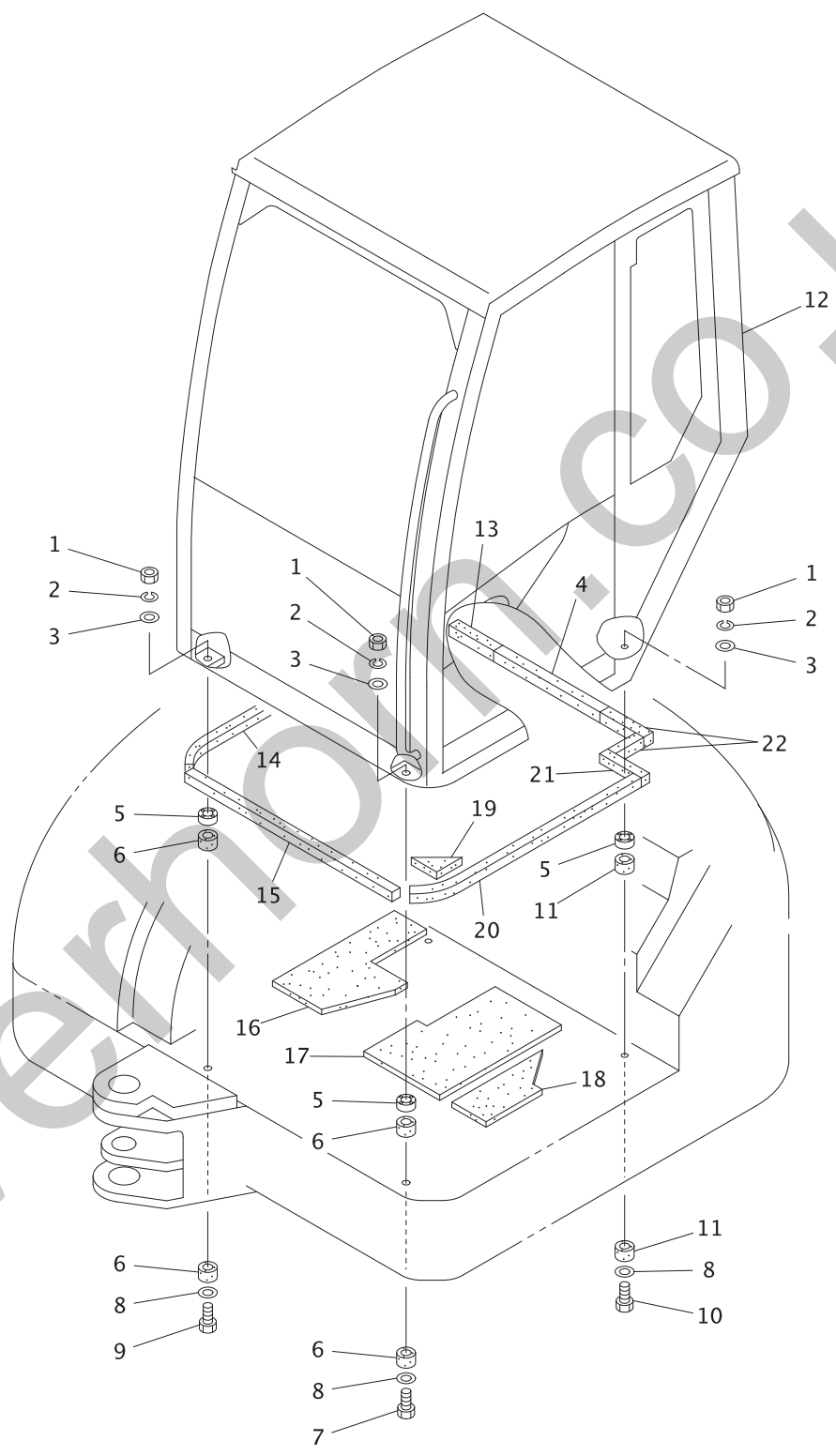
KEY No.	SU P.	PART No.	DESCRIPTION	Q'TY	CHAN	SERIAL No.	REMARKS
0	×	F377 753 00	Plate Ass'y, Name	1		WK004001-	
0-1	×	F377 666 00	Plate Ass'y, Name	1		WK004001-	
0-2	×	F771 405 00	Plate Ass'y, Name	1		WK004001-	
1		D405 465 00	*Plate, Name (IHI)	1		WK004001-	
2		D406 613 00	*Plate, Name (IHI)	2		WK004001-	
3	×	D405 091 00	*Plate, Name (Serial No.)	1		WK004001-	
3-1		0497 035 00	*Screw, Drive	4		WK004001-	d=3
4		D405 506 00	*Plate, Name (Caution)	1		WK004001-	
5		D405 508 00	*Plate, Name (Caution)	1		WK004001-	
6		D405 359 00	*Plate, Name (Caution)	1		WK004001-	
7		D405 675 00	*Plate, Name (Caution)	1		WK004001-	
8		D405 674 00	*Plate, Name (Caution)	1		WK004001-	
9		D406 012 00	*Plate, Name (Anti-Freezing Solution)	1		WK004001-	
10		D406 000 00	*Plate, Name (Oil)	1		WK004001-	
11		D406 014 00	*Plate, Name (Oil Check)	1		WK004001-	
12		D406 002 00	*Plate, Name (Caution)	1		WK004001-	
13		D406 015 00	*Plate, Name (Shoe Tension)	1		WK004001-	
14		D406 007 00	*Plate, Name (Transport Fix)	1		WK004001-	
15		D406 720 00	*Plate, Name (Spare Port Change)	1		WK004001-	
16	×	D405 097 00	*Plate, Name (New Machine)	1		WK004001-	
17		D405 503 00	*Plate, Name (Caution)	1		WK004001-	
18		D405 504 00	*Plate, Name (Caution)	1		WK004001-	
19		D405 505 00	*Plate, Name (Caution)	2		WK004001-	
20		D405 507 00	*Plate, Name (Safy Swing)	1		WK004001-	
21		D405 511 00	*Plate, Name (Caution)	2		WK004001-	
22		D406 005 00	*Plate, Name (Caution)	1		WK004001-	
23		D407 016 00	*Plate, Name (Safety Works)	1		WK004001-	
24		D407 908 00	*Plate, Name (Engine Daily Check)	1		WK004001-	
25		D407 306 00	*Plate, Name (Lub. Chart)	1		WK004001-	
26		D406 364 00	*Plate, Name (Noise 98)	1		WK004001-	
27		D406 783 00	*Plate, Name (Environment)	1		WK004001-	
28		D407 913 00	*Plate, Name (IHI)	1		WK004001-	
29		D406 718 00	*Plate, Name (Boom Lowering)	1		WK004001-	
30		D406 719 00	*Plate, Name (Lifting Procedures)	1		WK004001-	
31		D406 721 00	*Plate, Name (Door Release)	1		WK004001-	
32		4448 420 00	*Plate, Name (IHI)	1		WK004001-	
33		D405 510 00	*Plate, Name (Caution)	2		WK004001-	
34		D407 903 00	*Plate, Name (Model)	2		WK004001-	
35		D406 630 00	*Plate, Name (Blade, Pedal)	1		WK004001-	
36		D406 622 00	*Plate, Name (Control A)	1		WK004001-	
36-1		D406 623 00	*Plate, Name (Control B)	1		WK004001-	
36-2		D406 624 00	*Plate, Name (Control C)	1		WK004001-	

KEY No.	SU P.	PART No.	DESCRIPTION	Q'TY	CHAN	SERIAL No.	REMARKS
36-3		D406 625 00	*Plate, Name (Control D)	1		WK004001-	
37		D406 628 00	*Plate, Name (Control A-D)	1		WK004001-	
38		D406 918 00	*Plate, Name (Reflector)	2		WK004001-	

Silverhorn.CO.UK

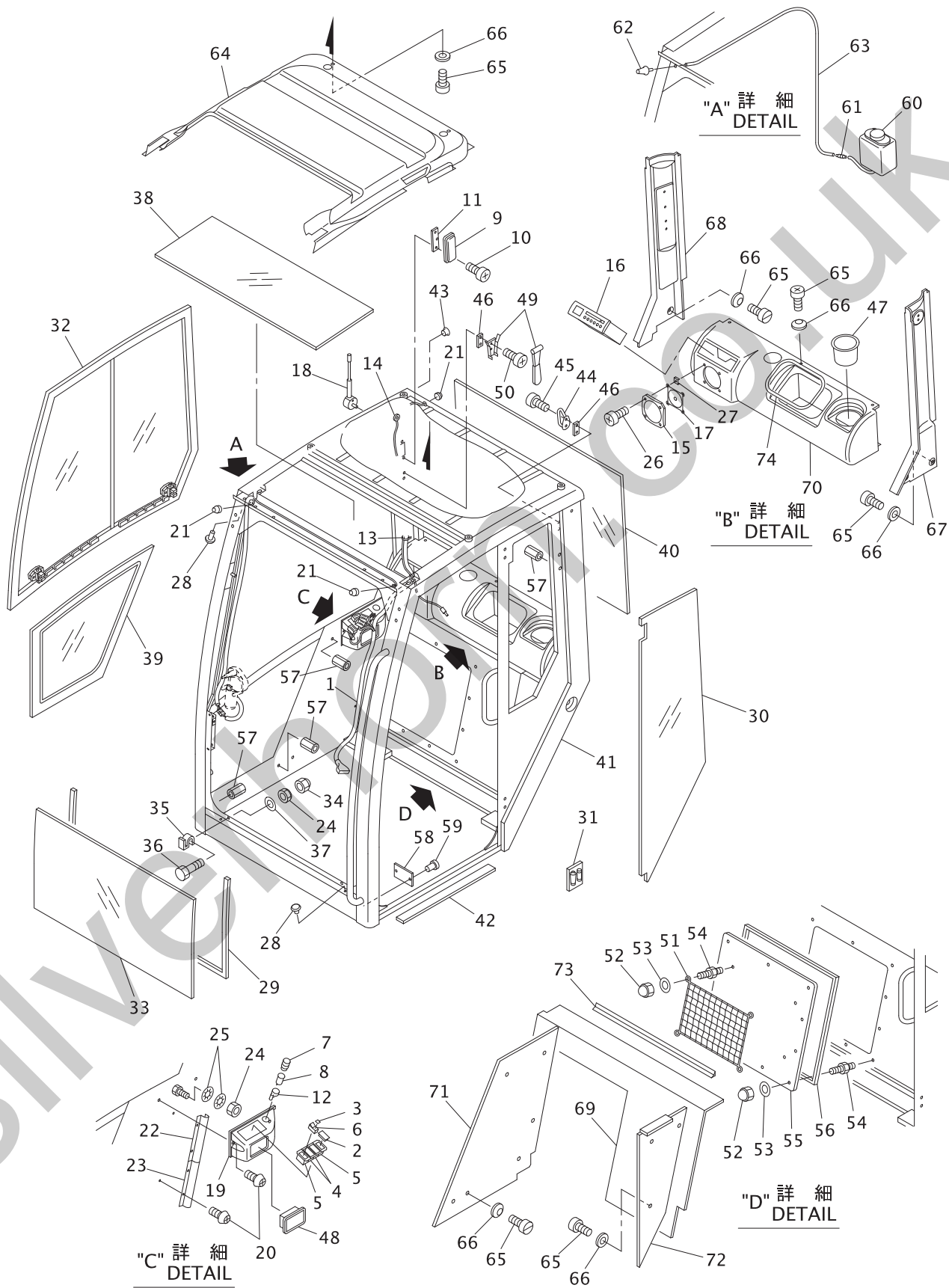
[Memo]

Silverhorn.CO.UK



80VX-080900-1-0

KEY No.	SU P.	PART No.	DESCRIPTION	Q'TY	CHAN	SERIAL No.	REMARKS
0	×	F354 154 00	Room Ass'y, Operator	1		WK002001-	
1		0580 160 00	*Nut, Hex.	4		WK002001-	M16
2		0590 160 00	*Washer, Lock	4		WK002001-	M16
3		0593 160 00	*Washer, Flat	4		WK002001-	M16
4		4550 873 00	*Seal, Sponge	M		WK002001-	L=600
5		4005 146 00	*Nut, Supecial	4		WK002001-	
6		4580 590 00	*Pad, Rubber	4		WK002001-	
7		0551 161 00	*Bolt, Hex. (Full-Thread)	1		WK002001-	M16X100
8		4006 352 00	*Plate	4		WK002001-	
9		0551 161 30	*Bolt, Hex. (Full-Thread)	1		WK002001-	M16X130
10		0551 161 10	*Bolt, Hex. (Full-Thread)	2		WK002001-	M16X110
11		D580 118 00	*Pad, Rubber	4		WK002001-	
12	#	F354 074 00	*Cabin Ass'y	1		WK002001-	Sh. No. 8-10
12	#	F354 074 00	*Cabin Ass'y	1		WK002001-	Sh. No. 8-11
12-1	#	F353 793 00	*Cabin Ass'y (For Wide Door)	1		WK002001-	Sh. No. 8-10
12-1	#	F353 793 00	*Cabin Ass'y (For Wide Door)	1		WK002001-	Sh. No. 8-11
13		4550 593 15	*Seal, Sponge	1		WK002001-	L=200
14		4550 593 18	*Seal, Sponge	1		WK002001-	L=910
15		4550 593 17	*Seal, Sponge	1		WK002001-	L=875
16		D467 424 00	*Panel, Sponge	1		WK002001-	
17		D467 423 00	*Panel, Sponge	1		WK002001-	
18		D467 546 00	*Panel, Sponge	1		WK002001-	
19		D443 146 00	*Plate, Rubber	1		WK002001-	
20		4550 593 16	*Seal, Sponge	1		WK002001-	L=780
21		4550 593 13	*Seal, Sponge	1		WK002001-	L=60
22		4550 593 14	*Seal, Sponge	2		WK002001-	L=130



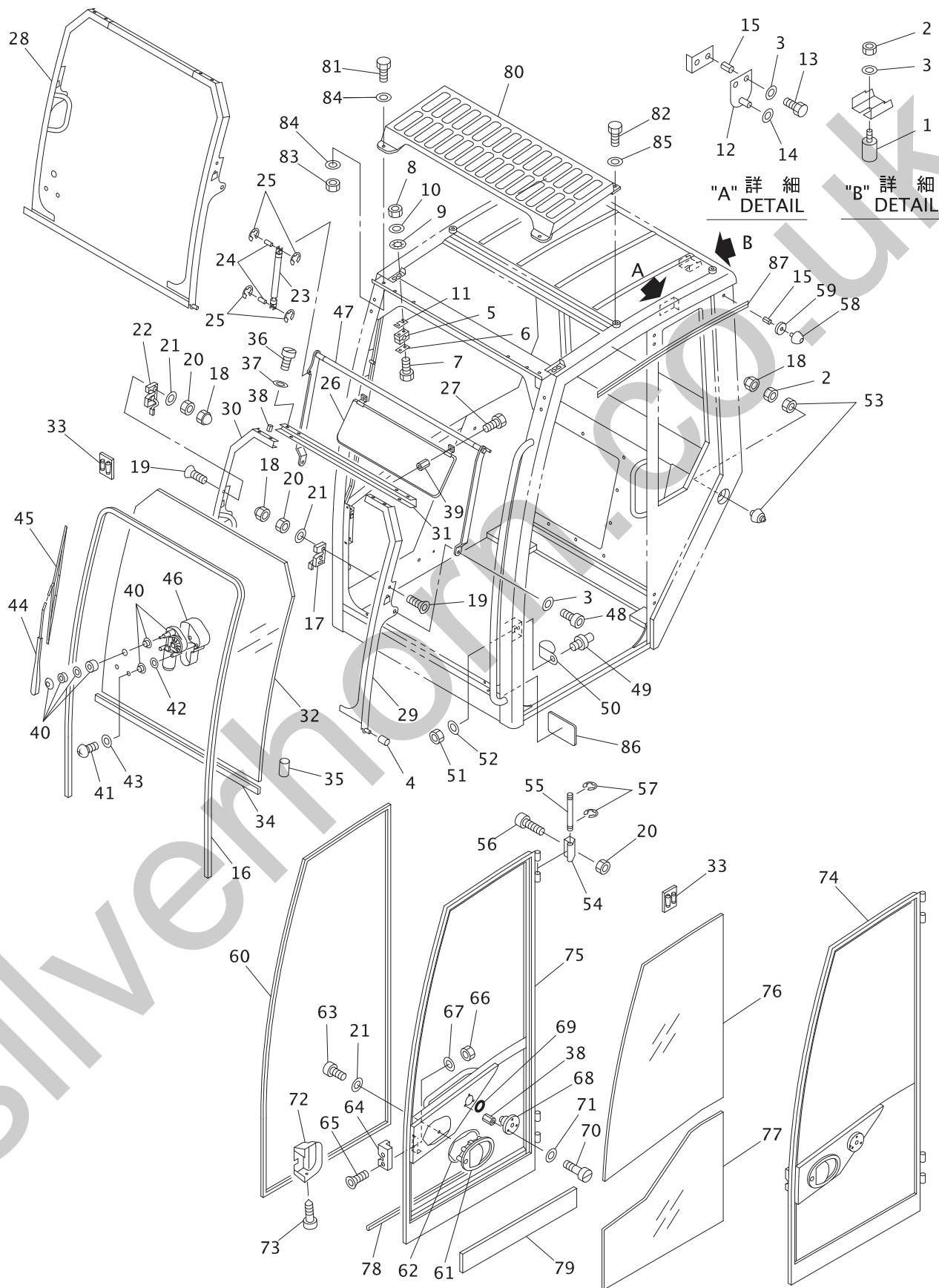
80VX-081000-1-0

KEY No.	SU P.	PART No.	DESCRIPTION	Q'TY	CHAN	SERIAL No.	REMARKS
0		F354 074 00	Cabin Ass'y	1		WK002001-	
0-1		F353 793 00	Cabin Ass'y (For Wide Door)	1		WK002001-	
1		4012000349	*Harness	1		WK002001-	
2		4012000255	*Cap	3		WK002001-	
3		4012000254	*Glass, Wiper Switch Cover	1		WK002001-	
4		4012000252	*Frame, Central Switch	2		WK002001-	
5		4012000251	*Frame, Side Switch	2		WK002001-	
6		4012000250	*Switch, Wiper	1		WK002001-	
7		4012000249	*Plug, Ligter	1		WK002001-	
8		4012000248	*Intake, Ligter	1		WK002001-	
9		4012000002	*Lamp, Roof	1		WK002001-	
10		4012000214	*Bolt	2		WK002001-	4.2X16
11		4012000152	*Locking, Roof Lamp	1		WK002001-	
12		4012000246	*Nut, Lighter Lock	1		WK002001-	
13		4015000149	*Clamp	4		WK002001-	4X180
14		4012000316	*Cable, Antenna	1		WK002001-	L=2300
15		4012000313	*Louver, Car Speaker	1		WK002001-	
16		1284179	*Audio, Car	1		WK002001-	For Export
16-1		4012000274	*Cover, Audio	1		WK002001-	
17		1284177	*Speaker	1		WK002001-	
17-1		4012000326	*Cover, Dust	1		WK002001-	
18		4012000451	*Antenna	1		WK002001-	
19		4012000402	*Switch, Carrier	1		WK002001-	
20		4012000401	*Bolt	4		WK002001-	4.8X16
21		4012000367	*Plug, Rubber	3		WK002001-	
22		4012000572	*Gutter	1		WK002001-	
22-1		4012000400	*Gutter (For Wide Door)	1		WK002001-	
23		4012000573	*Gutter	1		WK002001-	
24		4012000303	*Nut	3		WK002001-	M6
25		4012000185	*Washer Toothed	2		WK002001-	M6
26		4012000212	*Bolt	4		WK002001-	4.2X22
27		4012000277	*Clips	4		WK002001-	
28		4012000184	*Pad, Rubber	4		WK002001-	
29		4012000379	*Strip, Weather	M		WK002001-	L=1660
30		4012000563	*Side Glass (L.H.) (Standard Door)	1		WK002001-	
30-1		4012000562	*Side Glass (L.H.) (Wide Door)	1		WK002001-	
31		4012000100	*Adhesive (For Glass)	1		WK002001-	
32		4012000381	*Window Ass'y, Side	1		WK002001-	
33		4012000378	*Glass (Lower Front)	1		WK002001-	
34		4012000240	*Nut, Cap	2		WK002001-	M6
35		4015000108	*Clip, Glass Clamping	2		WK002001-	
36		4012000192	*Bolt	2		WK002001-	M6X16
37		4012000219	*Washer Flat	2		WK002001-	M6
38		4012000407	*Glass, Roof	1		WK002001-	

KEY No.	SU P.	PART No.	DESCRIPTION	Q'TY	CHAN	SERIAL No.	REMARKS
39		4012000365	*Glass (Lower Side)	1		WK002001-	
40		4012000564	*Glass (Rear)	1		WK002001-	
41	×	4012000566	*Frame, Cabin (Std. Door)	1		WK002001-	
41-1	×	4012000565	*Frame, Cabin (Wide Door)	1		WK002001-	
42		4015000141	*Sheet, Non Slip	1		WK002001-	
43		4012000329	*Cap	9		WK002001-	
44		4012000239	*Hook	1		WK002001-	
45		4012000214	*Bolt	2		WK002001-	4.2X16
46		4012000532	*Bracket	2		WK002001-	
47		4012000300	*Bracket, Bottle	1		WK002001-	
48		4012000238	*Ashtray	1		WK002001-	
49		3232492	*Hammer, Emergency	1		WK002001-	
50		4012000291	*Bolt	2		WK002001-	3.5X16
51		4012000399	*Net Documents	1		WK002001-	
52		4012000397	*Nut	15		WK002001-	M6
53		4012000279	*Washer, Frat	15		WK002001-	M6
54		4012000403	*Bolt	15		WK002001-	M6X15
55		4012000461	*Plate, Cover	1		WK002001-	
56		4012000463	*Seal	1		WK002001-	L=1880
57		4012000370	*Nut	5		WK002001-	M8
58		2020407002	*Nameplate, Tops	1		WK002001-	
59		4012000533	*Rivet	2		WK002001-	3.8X16
60		4012000256	*Tank, With Pump	1		WK002001-	
61		4012000216	*Valve, Connection	1		WK002001-	
62		4012000245	*Atomizer	1		WK002001-	
63		4012000534	*Pipe	1		WK002001-	L=2500
64		4012000536	*Ceiling Panel	1		WK002001-	
64-1		4012000535	*Ceiling Panel (Wide Door)	1		WK002001-	
65		4012000401	*Bolt	19		WK002001-	4.8X16
66		4012000210	*Washer, Nylon	19		WK002001-	M6
67		4012000537	*Panel, Cover (L.H.)	1		WK002001-	
68		4012000538	*Panel, Cover (R.H.)	1		WK002001-	
69		4012000571	*Panel, Rear Cover	1		WK002001-	
70		4012000540	*Cover, Rear	1		WK002001-	
71		4012000568	*Panel, Side Cover (R.H.)	1		WK002001-	
72		4012000543	*Panel, Side Cover (L.H.)(Std.Door)	1		WK002001-	
72-1		4012000542	*Panel, Side Cover (L.H.)(Wide Door)	1		WK002001-	
73		4012000321	*Seal	1		WK002001-	L=460
74		4012000318	*Strip, Weather	1		WK002001-	L=700

[Memo]

Silverhorn.CO.UK



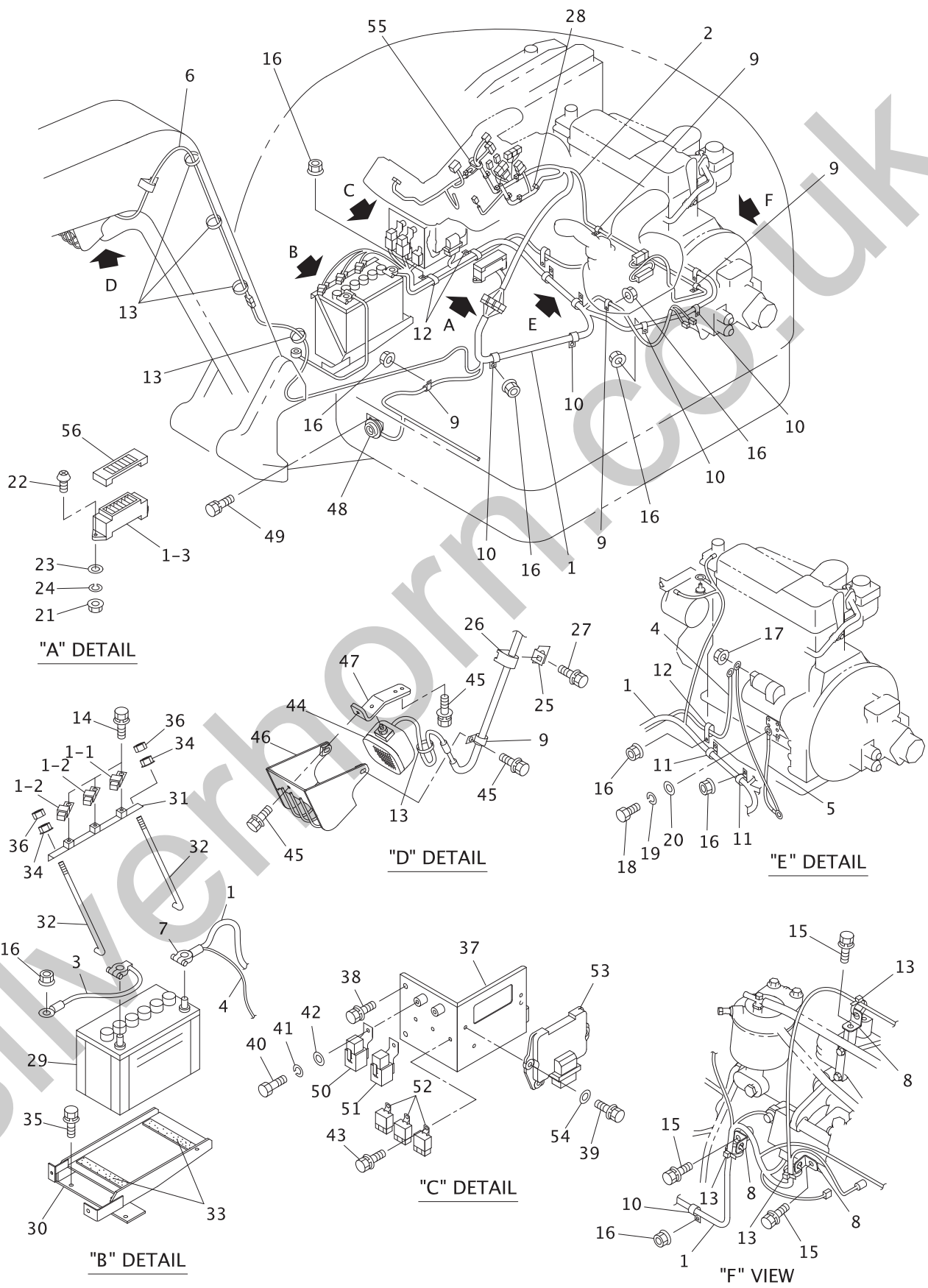
80VX-081100-1-0

KEY No.	SU P.	PART No.	DESCRIPTION	Q'TY	CHAN	SERIAL No.	REMARKS
0		F354 074 00	Cabin Ass'y	1		WK002001-	
0-1		F353 793 00	Cabin Ass'y (For Wide Door)	1		WK002001-	
1		4012000544	*Rubber, Cushion	2		WK002001-	
2		4012000460	*Nut	2		WK002001-	M8
3		4012000188	*Washer, Flat	8		WK002001-	M8
4		4015000111	*Bushing	2		WK002001-	
5		4015000113	*Collar	2		WK002001-	
6		4015000115	*Plate, Collar	2		WK002001-	
7		4015000118	*Bolt	4		WK002001-	M6X50
8		4012000222	*Nut	4		WK002001-	M6
9		4015000121	*Washer, Toothed	4		WK002001-	M6
10		4012000217	*Washer, Flat	4		WK002001-	M8
11		4012000545	*Spacer	4		WK002001-	
12		4012000546	*Bracket	2		WK002001-	
13		4012000192	*Bolt	4		WK002001-	M8X20
14		4012000547	*Washer, Nylon	2		WK002001-	M8
15		4012000370	*Nut	5		WK002001-	M8
16		4015000117	*Strip, Sealing	1		WK002001-	L=3600
17		4012000548	*Look, Front Door (L.H.)	1		WK002001-	
18		4012000206	*Nut, Cap	5		WK002001-	M8
19		4015000128	*Bolt, Treatment	4		WK002001-	M8X35
20		4015000091	*Nut	8		WK002001-	M8
21		4012000189	*Washer, Flat	6		WK002001-	M8
22		4012000549	*Lock, Front Door (R.H.)	1		WK002001-	
23		4012000550	*Stay, Dumper	1		WK002001-	
24		4012000551	*Pin	2		WK002001-	
25		4012000552	*Ring, Elasti	4		WK002001-	d=5
26		4012000284	*Sunvisor	1		WK002001-	
27		4012000228	*Bolt	2		WK002001-	M5X16
28		4012000484	*Frame	1		WK002001-	
29		4012000477	*Guard (L.H.)	1		WK002001-	
30		4012000478	*Guard (R.H.)	1		WK002001-	
31		4012000479	*Guard (Upper)	1		WK002001-	
32		4012000553	*Glass, Front	1		WK002001-	
33		4015000100	*Adhesive	1		WK002001-	
34		4012000362	*Seal	1		WK002001-	
35		4015000131	*Silicone	1		WK002001-	
36		4012000266	*Bolt	6		WK002001-	M6X16
37		4012000219	*Washer, Flat	6		WK002001-	M6
38		4012000356	*Nut	9		WK002001-	M6
39		4015000129	*Nut	2		WK002001-	M5
40		4012000344	*Motor, Wiper	1		WK002001-	
41		4012000351	*Bolt	2		WK002001-	M6X25
42		4012000279	*Washer, Flat	2		WK002001-	M6
43		4012000210	*Washer, Nylon	2		WK002001-	M6

KEY No.	SU P.	PART No.	DESCRIPTION	Q'TY	CHAN	SERIAL No.	REMARKS
44		4012000283	*Arm, Wiper	1		WK002001-	
45		4012000268	*Blade, Wiper	1		WK002001-	
46		4012000352	*Cover, Motor	1		WK002001-	
47		4012000554	*Stay, Guard	1		WK002001-	
48		4012000483	*Bolt	1		WK002001-	M8X16
49		4012000258	*Stopper	1		WK002001-	
50		4012000247	*Protector	1		WK002001-	
51		4012000260	*Nut	1		WK002001-	
52		4012000109	*Washer, Flat	1		WK002001-	M12
53		4012000374	*Stopper, Door	1		WK002001-	
54		4015000087	*Hinge	2		WK002001-	
55		4015000088	*Pin, Hinge	2		WK002001-	
56		4012000555	*Bolt	4		WK002001-	M8X25
57		4015000092	*Ring, Elastic	4		WK002001-	d=10
58		4012000459	*Cushion, Rubber	1		WK002001-	
59		4012000458	*Washer	1		WK002001-	M8
60		4012000512	*Strip, Sealing (Standard Door)	1		WK002001-	
60-1		4012000491	*Strip, Sealing (Wide Door)	1		WK002001-	L=4000
61		4012000389	*Handle, Door	1		WK002001-	L=3900
62		4012000390	*Strip, Sealing	1		WK002001-	
63		4012000391	*Bolt	4		WK002001-	M6X16
64		3242469	*Lock, Door	1		WK002001-	
65		4012000393	*Bolt	2		WK002001-	M8X40
66		4012000278	*Nut	2		WK002001-	M8
67		4012000269	*Washer, Toothed	2		WK002001-	M8
68		4012000386	*Stop, Door	1		WK002001-	
69		4012000385	*Cushion, Rubber	1		WK002001-	
70		4015000098	*Bolt	3		WK002001-	M6X35
71		4012000387	*Washer, Flat	3		WK002001-	M8
72		4012000394	*Cover, Lock	1		WK002001-	
73		4012000214	*Bolt	1		WK002001-	4.2X16
74		4012000419	*Door Ass'y (Standard Door)	1		WK002001-	
74-1		4012000417	*Door Ass'y (Wide Door)	1		WK002001-	
75		4012000392	*Frame, Door (Standard Door)	1		WK002001-	
75-1		4012000382	*Frame, Door (Wide Door)	1		WK002001-	
76		4012000413	*Glass, Upper (Standard Door)	1		WK002001-	
76-1		4012000383	*Glass, Upper (Wide Door)	1		WK002001-	
77		4012000414	*Glass, Lower (Standard Door)	1		WK002001-	
77-1		4012000384	*Glass, Lower (Wide Door)	1		WK002001-	
78		4012000529	*Strip, Sealing (Standard Door)	M		WK002001-	L=700
78-1		4012000498	*Strip, Sealing (Wide Door)	M		WK002001-	L=600
79		4012000469	*Decalcomania (Standard Door)	1		WK002001-	
79-1		4012000468	*Decalcomania (Wide Door)	1		WK002001-	
80		4012000557	*Protector	1		WK002001-	Option
81		4012000558	*Bolt	2		WK002001-	M10X20

KEY No.	SU P.	PART No.	DESCRIPTION	Q'TY	CHAN .	SERIAL No.	REMARKS
82		4012000559	*Bolt	2		WK002001-	M12X20
83		4012000560	*Nut	2		WK002001-	M10
84		4012000561	*Washer, Flat	4		WK002001-	M10
85		4015000109	*Washer, Flat	2		WK002001-	M12
86		2020407003	*Plate, Caution	1		WK002001-	
87		2030010001	*Seal	1		WK002001-	L=820

Silverhorn.CO.UK



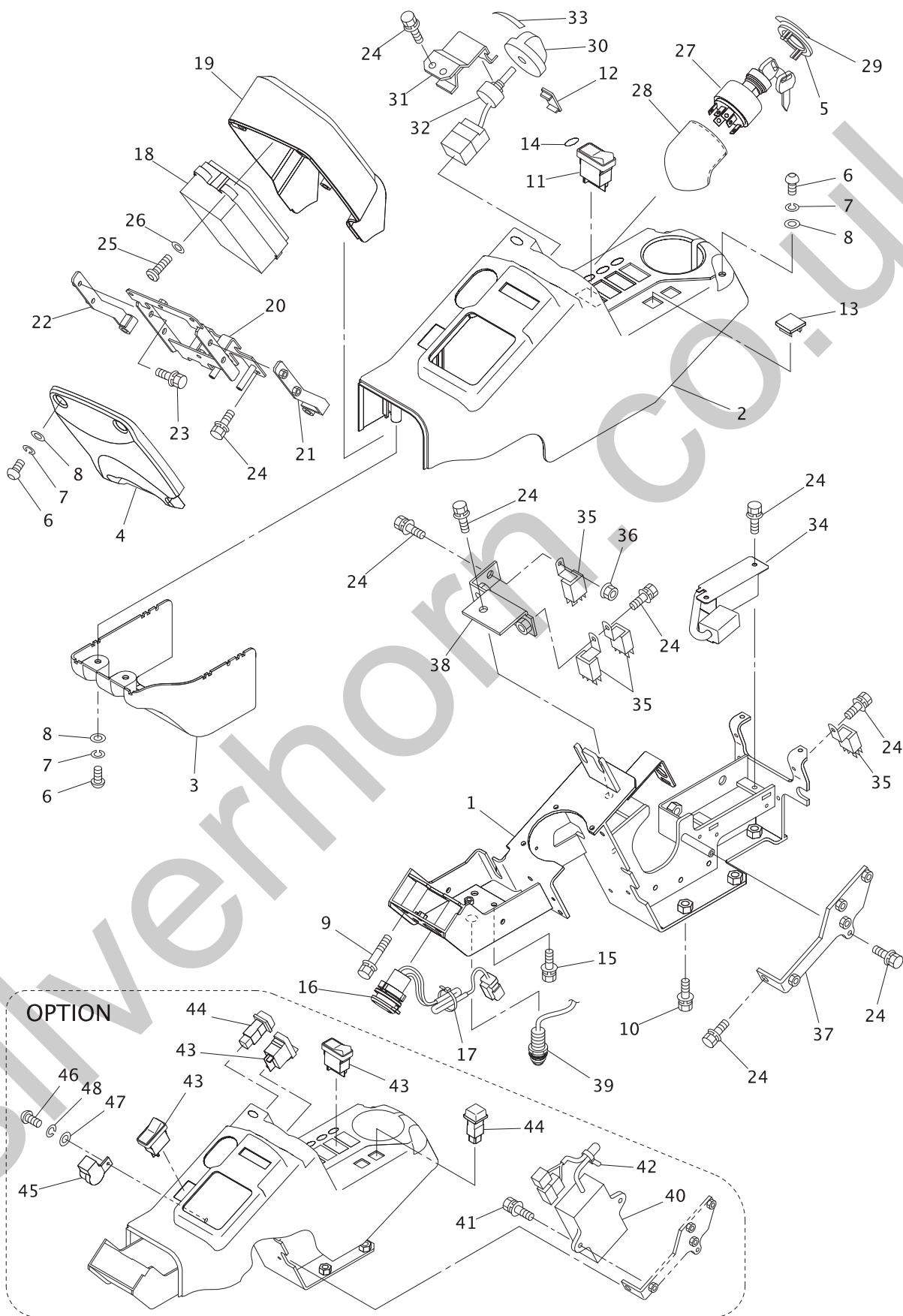
80VX-0901A0-1-0

KEY No.	SU P.	PART No.	DESCRIPTION	Q'TY	CHAN	SERIAL No.	REMARKS
0	×	F366 728 00	Electrical System	1		WK004001-	
0-1	×	F354 835 00	Accessories Ass'y	1		WK004001-	
0-2	×	F366 539 00	Battery Ass'y	1		WK004001-	
1	△	0879 552 73	*Harness, Main	1		WK004001-	
1-1		0830 291 02	**Link, Fusible	1		WK004001-	45A
1-2		0830 291 01	**Link, Fusible	2		WK004001-	65A
1-3		0858 140 01	**Box, Fuse	1		WK004001-	
1-4		0830 107 08	**Fuse	3		WK004001-	20A
1-5		0830 107 06	**Fuse	9		WK004001-	10A
1-6		0830 107 12	**Fuse	1		WK004001-	5A
1-7		0830 107 11	**Fuse	1		WK004001-	2A
2	△	0879 552 76	*Harness	1		WK004001-	
3		D591 718 04	*Cable, Battery	1		WK004001-	L=500
4		D591 866 03	*Cable, Battery	1		WK004001-	L=1750
5		D591 717 01	*Band, Earth	1		WK004001-	
6	△	D591 252 00	*Harness	1		WK004001-	L=1750
7		0852 119 22	*Terminal	1		WK004001-	
8		D417 325 00	*Bracket	3		WK004001-	
9		4080 000 02	*Clamp, Hose	5		WK004001-	d =9
10		4080 000 05	*Clamp, Hose	5		WK004001-	d =22
11		4080 000 06	*Clamp, Hose	2		WK004001-	d =27
12		4080 000 26	*Clamp, Hose	3		WK004001-	d =27
13		0820 067 03	*Band, Cable	AR		WK004001-	
14		0518 100 20	*Bolt, Treatment (W/L.W, F.W)	3		WK004001-	M10X20 P=1.25
15		0517 080 16	*Bolt, Treatment (W/L.W, F.W)	3		WK004001-	M8X16
16		0524 100 00	*Nut, Hex.(W/F.W)	14		WK004001-	M10 P=1.25
17		0521 080 00	*Nut, Hex.(W/F.W)	1		WK004001-	M8
18		0550 100 20	*Bolt, Hex.	1		WK004001-	M10X20
19		0590 100 00	*Washer, Lock	1		WK004001-	M10
20		0593 100 00	*Washer, Flat	1		WK004001-	M10
21		0521 060 00	*Nut, Hex.(W/F.W)	2		WK004001-	M6
22		4004 364 02	*Bolt, Button Head	2		WK004001-	M6X25
23		0594 060 00	*Washer, Flat	2		WK004001-	M6
24		0596 060 00	*Washer, Lock	2		WK004001-	M6
25		D417 041 00	*Bracket	1		WK004001-	
26		0690 082 01	*Clamp	1		WK004001-	
27		0518 120 20	*Bolt, Treatment (W/L.W, F.W)	1		WK004001-	M12X20 P=1.25
28		0690 082 08	*Clamp, Hose	3		WK004001-	
29		0851 000 01	*Battery	1		WK004001-	
29-1		0851 000 02	*Battery (For Chill Ground)	1		WK004001-	Option
30		D417 319 00	*Bracket	1		WK004001-	
31		D417 320 00	*Bracket	1		WK004001-	
32		4004 022 15	*Bolt, Hook	2		WK004001-	M6X285

KEY No.	SU P.	PART No.	DESCRIPTION	Q'TY	CHAN	SERIAL No.	REMARKS
33		4409 502 00	*Plate, Rubber	2		WK004001-	
34		0521 060 00	*Nut, Hex.(W/F.W)	2		WK004001-	M6
35		0518 100 25	*Bolt, Treatment (W/L.W, F.W)	2		WK004001-	M10X25 P=1.25
36		0544 060 00	*Nut, Hex.	2		WK004001-	M6
37		D417 391 00	*Bracket	1		WK004001-	
38		0518 100 20	*Bolt, Treatment (W/L.W, F.W)	5		WK004001-	M10X20 P=1.25
39		0519 080 25	*Bolt, Treatment (W/L.W)	3		WK004001-	M8X25
40		0550 080 25	*Bolt, Hex.	2		WK004001-	M8X25
41		0590 080 00	*Washer, Lock	2		WK004001-	M8
42		0593 080 00	*Washer, Flat	2		WK004001-	M8
43		0517 060 16	*Bolt, Treatment (W/L.W, F.W)	3		WK004001-	M6X16
44		0854 534 UA	*Light Ass'y	1		WK004001-	
44-1		0854 529 05	**Bulb	1		WK004001-	
44-2		0854 529 01	**Lens	1		WK004001-	
44-3		0552 080 20	**Bolt, Hex.	1		WK004001-	
44-4		0521 080 00	**Nut, Hex.(W/F.W)	1		WK004001-	
45		0518 100 25	*Bolt, Treatment (W/L.W, F.W)	5		WK004001-	M10X25 P=1.25
46		D457 821 00	*Cover	1		WK004001-	
47		D415 910 00	*Bracket	1		WK004001-	
48		0861 001 02	*Horn	1		WK004001-	
49		0519 080 20	*Bolt, Treatment (W/L.W)	1		WK004001-	M8X20
50		Y129927-77900	*Relay , Air Heater	1		WK004001-	YANMAR
51		Y129927-77920	*Relay, Starter	1		WK004001-	YANMAR
52		Y198461-52950	*Relay	3		WK004001-	YANMAR
53		Y129939-75040	*ECU	1		WK004001-	YANMAR
54		Y129927-77690	*Washer, Flat	3		WK004001-	YANMAR
55		4080 118 00	*Clamp	1		WK004001-	
56		D407 883 00	*Plate, Name	1		WK004001-	

[Memo]

Silverhorn.CO.UK



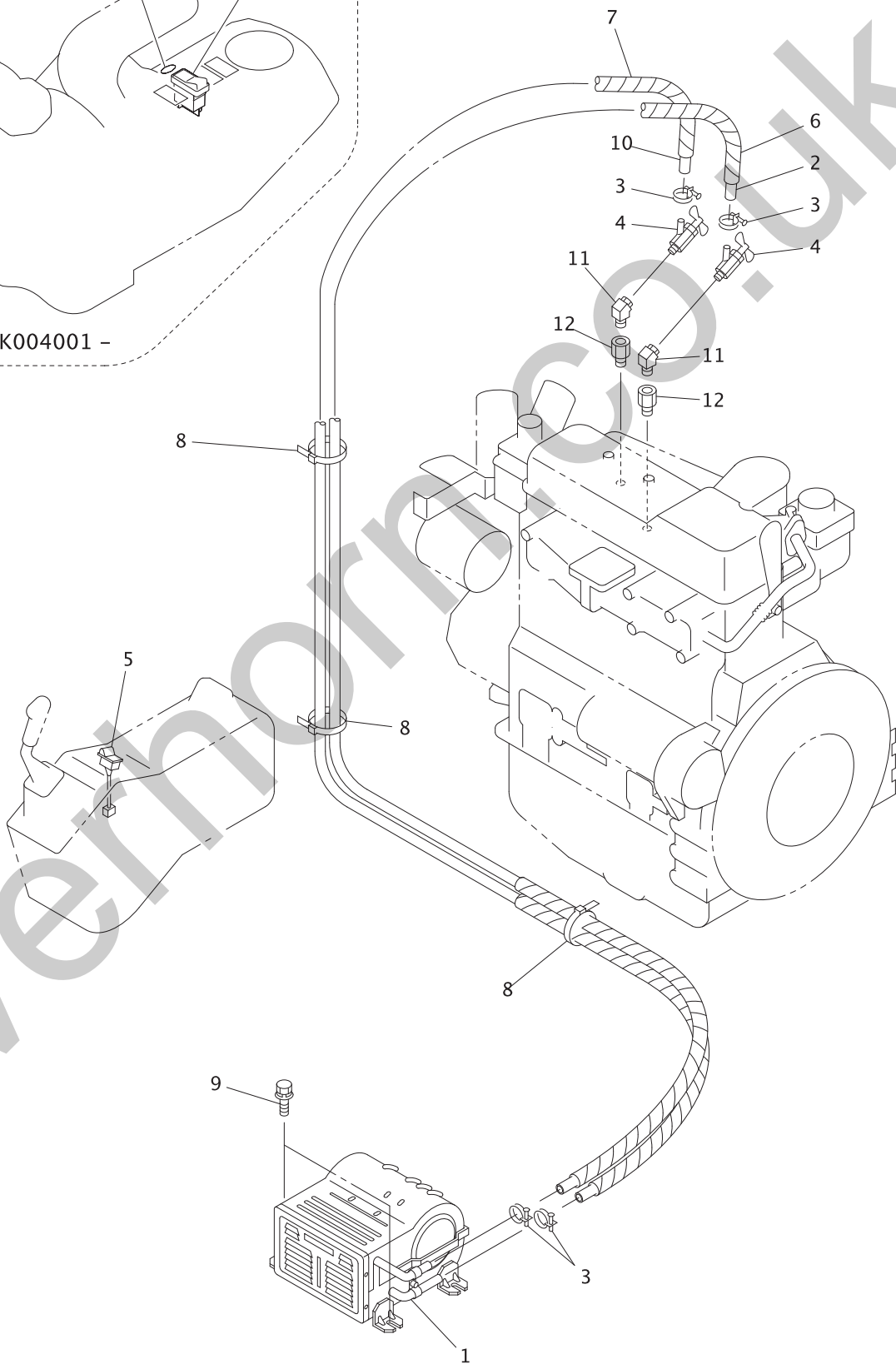
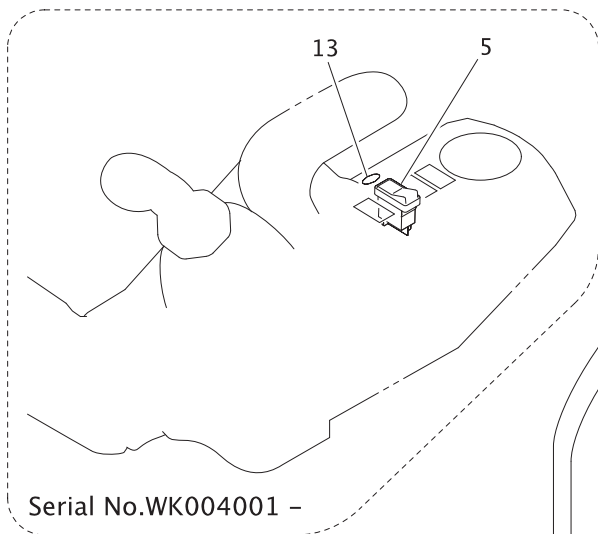
80VX-0902A0-1-0

KEY No.	SU P.	PART No.	DESCRIPTION	Q'TY	CHAN	SERIAL No.	REMARKS
0	×	F361 554 00	Panel Ass'y, Instrument	1		WK004001-	
1		D418 314 00	*Bracket	1		WK004001-	
2		D465 313 00	*Panel	1		WK004001-	
3		D465 314 00	*Panel	1		WK004001-	
4		D465 316 00	*Panel	1		WK004001-	
5		D465 317 00	*Cover	1		WK004001-	
6		4004 280 01	*Bolt, Button Head	8		WK004001-	M6X16
7		0590 060 00	*Washer, Lock	8		WK004001-	M6
8		0593 060 00	*Washer, Flat	8		WK004001-	M6
9		0517 080 40	*Bolt, Treatment (W/L.W, F.W)	2		WK004001-	M8X40
10		0518 100 25	*Bolt, Treatment (W/L.W, F.W)	4		WK004001-	M10X25 P=1.25
11		0858 314 33	*Switch Ass'y	1		WK004001-	
12		D528 005 00	*Cap	1		WK004001-	
13		D528 006 00	*Cap	1		WK004001-	
14		D407 819 00	*Plate, Name (Light)	1		WK004001-	
15		0517 060 16	*Bolt, Treatment (W/L.W, F.W)	2		WK004001-	M6X16
16		0830 406 02	*Socket	1		WK004001-	
17		0820 067 05	*Band, Cable	1		WK004001-	
18		0881 507 UA	*Monitor, OK	1		WK004001-	
19		D465 315 00	*Panel	1		WK004001-	
20		D418 322 00	*Bracket	1		WK004001-	
21		D418 323 00	*Bracket (L.H.)	1		WK004001-	
22		D418 324 00	*Bracket(R.H.)	1		WK004001-	
23		0517 080 20	*Bolt, Treatment (W/L.W, F.W)	4		WK004001-	M8X20
24		0517 060 12	*Bolt, Treatment (W/L.W, F.W)	11		WK004001-	M6X12
25		0454 400 20	*Screw, Tapping	4		WK004001-	M4X20
26		0593 040 00	*Washer, Flat	4		WK004001-	M4
27		0858 306 03	*Switch Ass'y, Starter	1		WK004001-	
27-1		0858 306 04	*Switch Ass'y, Starter	1		WK004001-	Option
28		4457 535 00	*Cover	1		WK004001-	
29		D407 824 00	*Plate, Name	1		WK004001-	
30		0690 211 05	*Throttle, Dial	1		WK004001-	
31		D418 304 00	*Bracket	1		WK004001-	
32		0858 614 05	*Meter, Potention	1		WK004001-	
33		D407 829 00	*Plate, Name (Throttle)	1		WK004001-	
34		0820 207 02	*Relay	1		WK004001-	
35		0820 215 07	*Relay	4		WK004001-	
36		0521 060 00	*Nut, Hex.(W/F.W)	1		WK004001-	M6
37		D418 312 00	*Bracket	1		WK004001-	
38		D418 313 00	*Bracket	1		WK004001-	
39		Y124732 - 77800	*Lamp, Pilot	1		WK004001-	YANMAR
40		0893 504 UA	*Controller Ass'y	1		WK004001-	
41		0517 060 20	*Bolt, Treatment (W/L.W, F.W)	2		WK004001-	M6X20

KEY No.	SU P.	PART No.	DESCRIPTION	Q'TY	CHAN	SERIAL No.	REMARKS
42		0820 067 03	*Band, Cable	1		WK004001-	
43		0858 314 33	*Switch Ass'y	AR		WK004001-	
43-1		D528 005 00	*Cap	AR		WK002001-	
44		0858 314 35	*Switch Ass'y	AR		WK004001-	
44-1		D528 006 00	*Cap	AR		WK002001-	
45		0857 011 57	*Buzzer	1		WK004001-	
46		0565 040 12	*Screw, Pan Head	1		WK004001-	M4X12
47		0593 040 00	*Washer, Flat	1		WK004001-	M4
48		0590 040 00	*Washer, Lock	1		WK004001-	M4

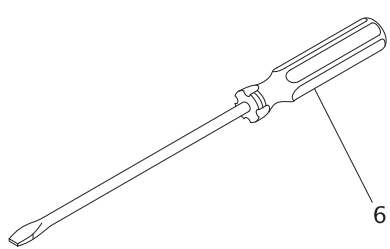
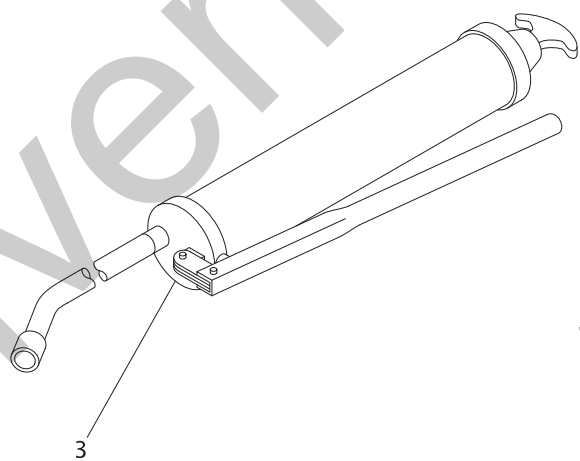
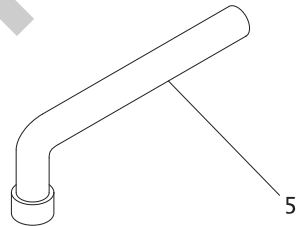
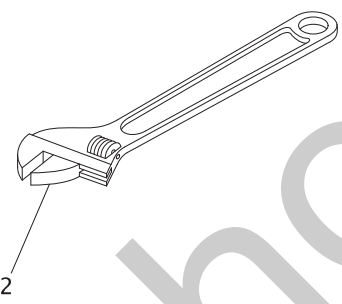
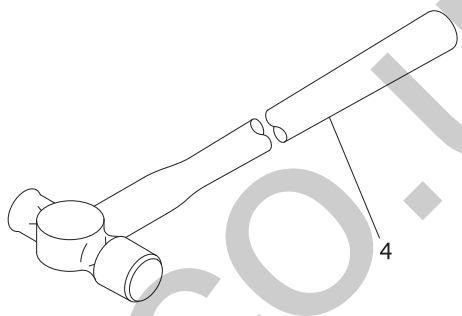
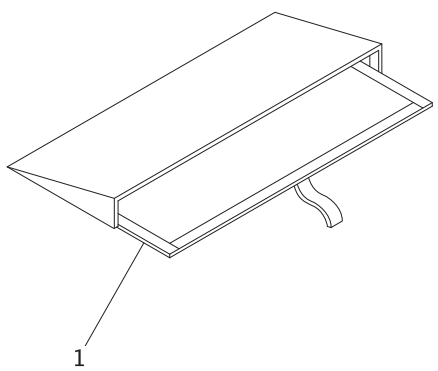
[Memo]

Silverhorn.CO.UK



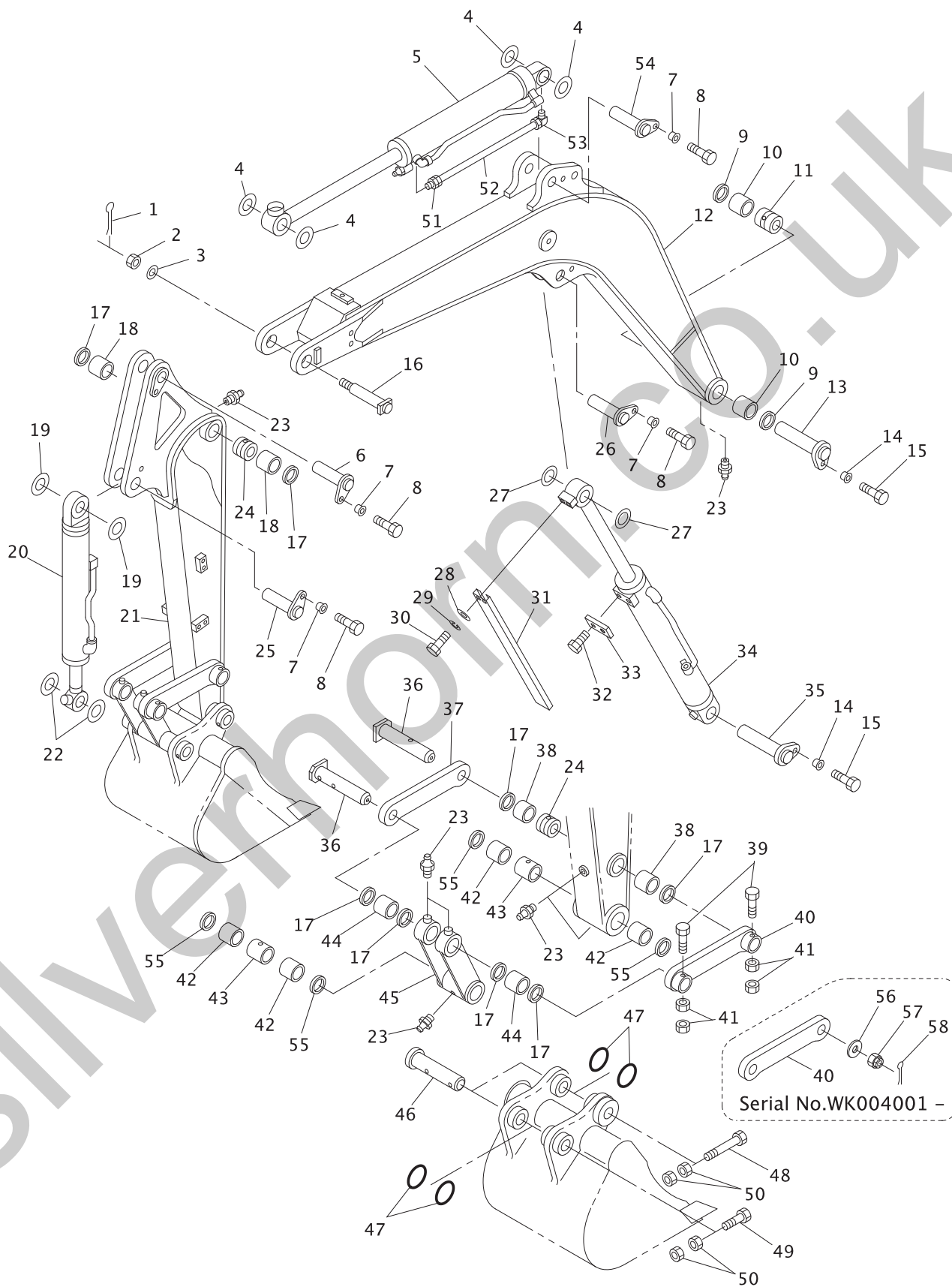
80VX-090300-1-0

KEY No.	SU P.	PART No.	DESCRIPTION	Q'TY	CHAN	SERIAL No.	REMARKS
0	×	F354 548 00	Heater Ass'y, Car	1		WK002001- WK004000	
0	×	F354 916 00	Heater Ass'y, Car	1		WK004001-	
1		0857 056 03	*Heater, Car	1		WK002001-	
2		4070 102 23	*Hose, Water	M		WK002001-	L=2100
3		0690 074 20	*Clamp, Hose	4		WK002001-	
4		0729 910 35	*Valve	2		WK002001-	
5		0858 120 11	*Switch, Heater	1		WK002001-	
5		0858 314 34	*Switch, Heater	1		WK002001-	
6		0820 803 06	*Tube, Corrugate	M		WK002001-	L=2000
7		0820 803 06	*Tube, Corrugate	M		WK002001-	L=2250
8		0820 067 05	*Band, Cable	4		WK002001-	
9		0517 080 20	*Bolt, Treatment (W/L.W, F.W)	4		WK002001-	M8X20
10		4070 102 35	*Hose, Water	1		WK002001-	L=2350
11		0710 124 07	*Elbow, 45	2		WK002001-	
12		0710 503 03	*Socket	2		WK002001-	
13		D407 820 00	*Plate, Name	1		WK004001-	



08-80V0-100100-1-0

KEY No.	SU P.	PART No.	DESCRIPTION	Q'TY	CHAN	SERIAL No.	REMARKS
0	×	5388 510 00	Tools Set	1		WK002001-	
1		4450 505 00	*Case, Tools	1		WK002001-	
2	△	0931 109 25	*Wrench, Adjustable	1		WK002001-	250mm
3		0931 370 11	*Gun, Grease	1		WK002001-	
3-1		0931 370 10	*Gun, Grease	1		WK002001-	For Export
3-2	☆	0931 371 01	**Hose, Grease	1		WK002001-	48190-20540
4	△	0931 331 10	*Hammer	1		WK002001-	
5	△	0931 070 24	*Wrench, L	1		WK002001-	24mm
6	△	0931 301 04	*Driver (-)	1		WK002001-	100mm



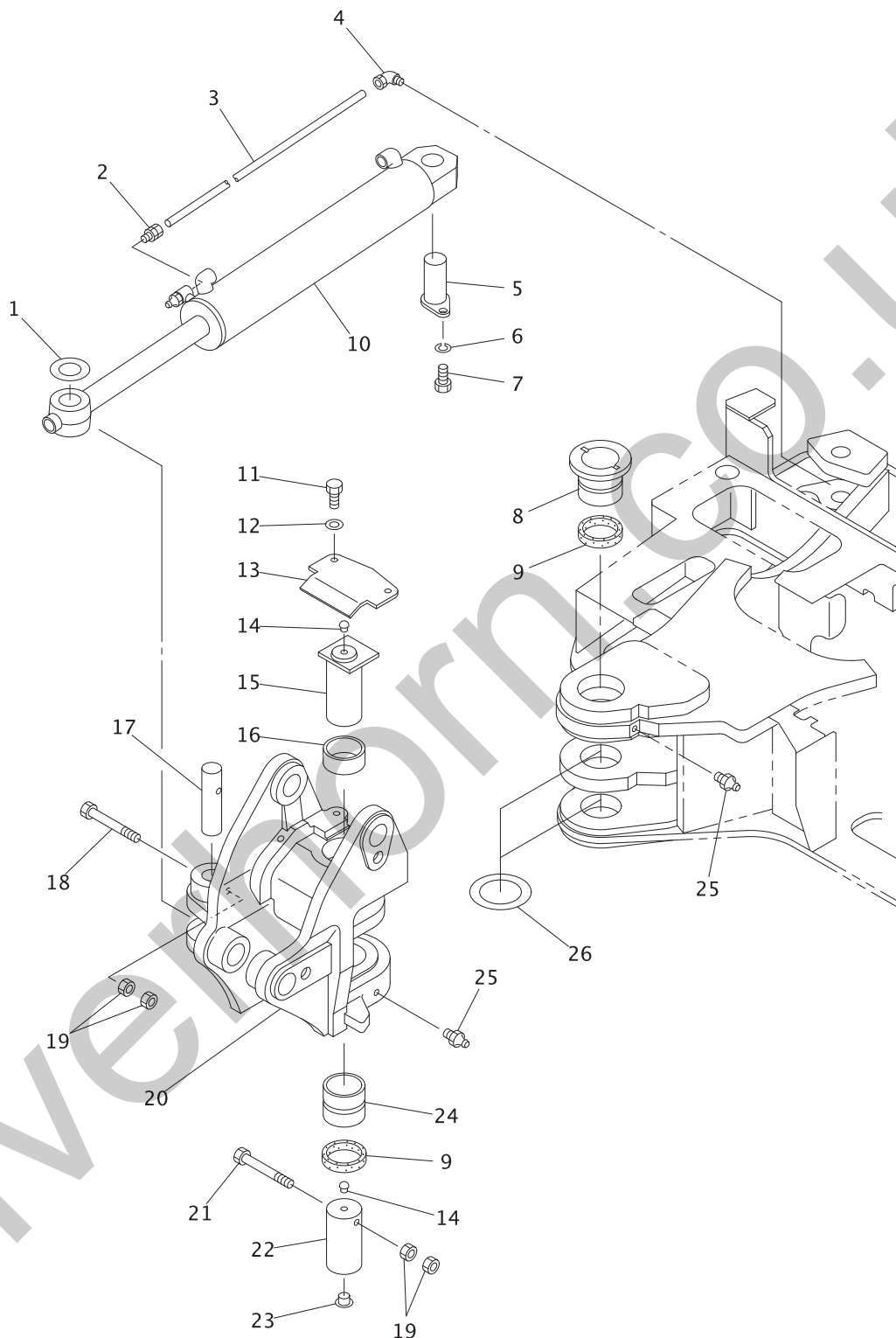
80VX-110100-1-1

KEY No.	SU P.	PART No.	DESCRIPTION	Q'TY	CHAN	SERIAL No.	REMARKS
0	×	F388 239 00	Attachment Ass'y, Hoe	1		WK002001- WK004000	
0	×	F388 337 00	Attachment Ass'y, Hoe	1		WK004001-	
1		0599 060 70	*Pin, Cotter	1		WK002001-	d=6X70
2		0587 360 00	*Nut, Castle	1		WK002001-	M36
3		4006 178 00	*Washer, Flat	1		WK002001-	
4		4006 540 86	*Shim	AR		WK002001-	d=60, t=1.0
4-1		4006 540 87	*Shim	AR		WK002001-	d=60, t=2.0
5	#	0782 317 UA	*Cylinder Ass'y, Arm	1		WK002001-	Sh. No. 5-9
6		D017 023 00	*Pin	1		WK002001-	
7		D047 003 00	*Bushing	4		WK002001-	
8		0558 160 30	*Bolt, Treatment	4		WK002001-	M16X30 P=1.5
9		0765 033 36	*Seal, Dust	2		WK002001-	
10		D047 037 01	*Bushing	2		WK002001-	
11		D040 066 00	*Spacer	1		WK002001-	
12		D210 058 00	*Boom	1		WK002001- WK004000	
12		D210 122 00	*Boom	1		WK004001-	
13		D017 072 00	*Pin	1		WK002001-	
14		D047 004 00	*Bushing	2		WK002001-	
15		0555 160 45	*Bolt, Treatment	2		WK002001-	M16X45
16		D013 079 00	*Pin, Head	1		WK002001-	
17		0765 033 22	*Seal, Dust	8		WK002001-	
18		D047 038 01	*Bushing	2		WK002001-	
19		4006 540 71	*Shim	AR		WK002001-	d=55, t=1.0
19-1		4006 540 72	*Shim	AR		WK002001-	d=55, t=2.0
20	#	0782 316 UA	*Cylinder Ass'y, Bucket	1		WK002001-	Sh. No. 5-10
21		D215 078 00	*Arm Ass'y	1		WK002001- WK002202	
21		D215 160 00	*Arm Ass'y	1	○	WK002203-	
21-1		D215 079 00	*Arm Ass'y, Long	1		WK002001-* **	
21-1		D215 182 00	*Arm Ass'y, Long	1	○	* * *-	
22		4006 052 01	*Shim	AR		WK002001-	d=55, t=0.8
22-1		4006 052 02	*Shim	AR		WK002001-	d=55, t=1.6
23		0728 111 15	*Nipple, Grease	8		WK002001-	PT1/8
24		4040 469 17	*Spacer	2		WK002001-	
25		D017 037 00	*Pin	1		WK002001-	
26		D017 074 00	*Pin	1		WK002001-	
27		4006 540 91	*Shim	AR		WK002001-	d=70, t=1.0
27-1		4006 540 92	*Shim	AR		WK002001-	d=70, t=2.0
28		0593 100 00	*Washer, Flat	2		WK002001-	M10
29		0590 100 00	*Washer, Lock	2		WK002001-	M10
30		0550 100 20	*Bolt, Hex.	2		WK002001-	M10X20
31		4458 968 00	*Cover	1		WK002001-	
32		0513 100 16	*Bolt, Treatment	2		WK002001-	M10X16
33		4261 391 00	*Stay	1		WK002001-	

KEY No.	SU P.	PART No.	DESCRIPTION	Q'TY	CHAN	SERIAL No.	REMARKS
34	#	0782 313 UA	*Cylinder Ass'y, Boom	1		WK002001-	Sh. No. 5-8
34-1	#	0782 417 UA	*Cylinder Ass'y, Boom (For Ital Cab)	1		WK002001-	Sh. No. 5-8
35		D017 073 00	*Pin	1		WK002001-	
36		D013 043 00	*Pin, Head	2		WK002001- WK004000	
36		D013 343 00	*Pin, Head	2	×	WK004001-	
37		D490 101 00	*Link, Arm	1		WK002001- WK004000	
37		D490 284 00	*Link, Arm	1	×	WK004001-	
38		D047 039 01	*Link, Arm	2		WK002001-	
39		0558 161 20	*Bolt, Treatment	2		WK002001- WK004000	M16X120 P=1.5
40		D490 102 00	*Link, Arm	1		WK002001- WK004000	
40		D490 101 00	*Link, Arm	1	×	WK004001-	
41		0584 160 00	*Nut, Treatment	4		WK002001- WK004000	M16 P=1.5
42		D047 026 03	*Bushing	4		WK002001-	
43		D040 198 00	*Spacer	2		WK002001-	L=70
44		4043 105 05	*Bushing	2		WK002001-	
45		D490 057 00	*Link, Bucket	1		WK002001-	
46		4013 693 00	*Pin, Head	2		WK002001-	
47		4511 501 01	*Ring, O	4		WK002001-	
48		0514 121 30	*Bolt, Treatment	1		WK002001-	M12X130 P=1.25
49		0514 121 00	*Bolt, Treatment	1		WK002001-	M12X100 P=1.25
50		0535 120 00	*Nut, Treatment	4		WK002001-	M12 P=1.25
51		0710 106 27	*Connector	1		WK002001-	
51-1		0713 100 02	**Sleeve	1		WK002001-	
52		0779 000 88	*Tube, Synflex	M		WK002001-	L=1090
53		0710 107 27	*Elbow	1		WK002001-	
53-1		0713 100 02	**Sleeve	1		WK002001-	
54		D017 108 00	*Pin	1		WK002001-	
55		0765 033 28	*Seal, Dust	4		WK002001-	
56		4006 178 00	*Washer, Flat	2		WK004001-	
57		0587 360 00	*Nut, Castle	2		WK004001-	M36
58		0599 060 70	*Pin, Cotter	2		WK004001-	d=6X70

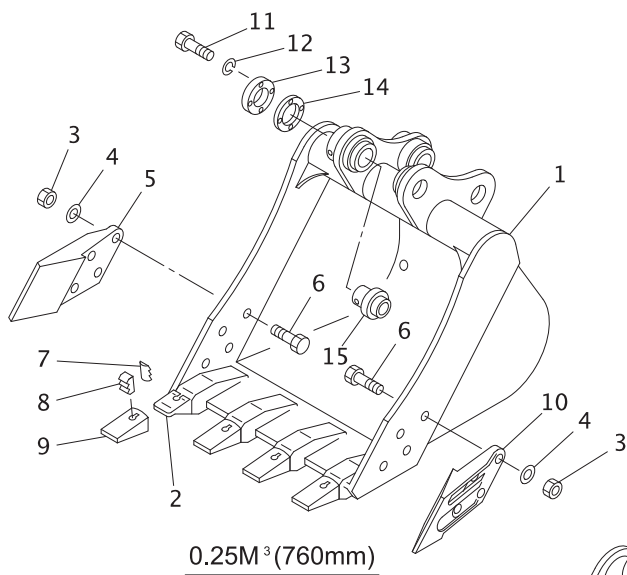
[Memo]

Silverhorn.CO.UK

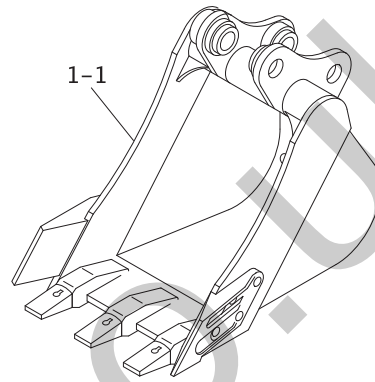


08-80V0-110200-1-0

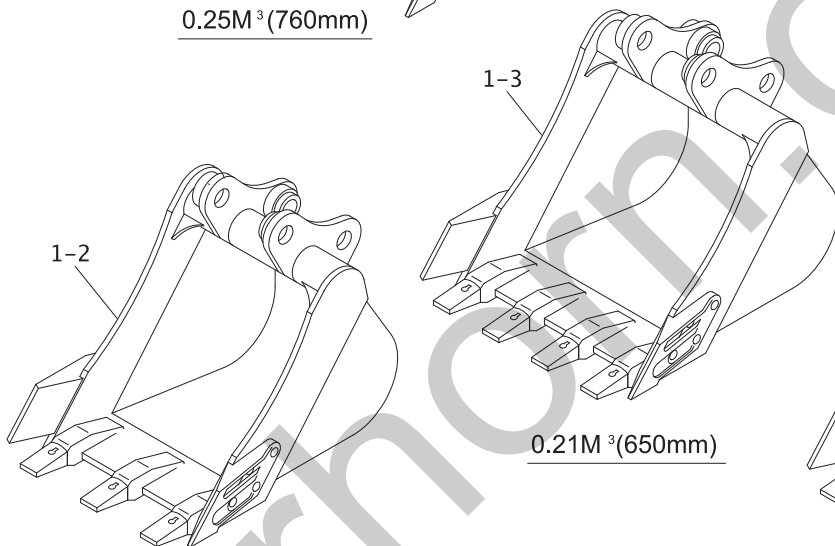
KEY No.	SU P.	PART No.	DESCRIPTION	Q'TY	CHAN	SERIAL No.	REMARKS
0	×	F388 066 00	Swing Ass'y, Boom	1		WK002001-	
1		4006 540 81	*Shim	AR		WK002001-	d=60, t=1.0
1-1		4006 540 82	*Shim	AR		WK002001-	d=60, t=2.0
1-2		4006 540 83	*Shim	AR		WK002001-	d=60, t=3.0
2		0710 106 27	*Connector	1		WK002001-	
2-1		0713 100 02	**Sleeve	1		WK002001-	
3		0779 000 88	*Tube, Synflex	M		WK002001-	L=1020
4		0710 107 27	*Elbow	1		WK002001-	
4-1		0713 100 02	**Sleeve	1		WK002001-	
5		D017 070 00	*Pin, Wing	1		WK002001-	
6		0590 160 00	*Washer, Lock	1		WK002001-	M16
7		D004 014 01	*Bolt, Special	1		WK002001-	M16X30
8		D043 028 00	*Bushing	1		WK002001-	
9		0765 033 35	*Seal, Dust	2		WK002001-	
10	#	0782 312 UA	*Cylinder Ass'y, Boom Swing	1		WK002001-	Sh. No. 5-11
11		0555 160 30	*Bolt, Treatment	2		WK002001-	M16X30
12		0595 160 00	*Washer, Treatment	2		WK002001-	M16
13		D455 607 00	*Cover	1		WK002001-	
14		0690 201 08	*Plug, Hole	2		WK002001-	
15		D017 077 00	*Pin, Wing	1		WK002001-	
16		D043 030 00	*Bushing	1		WK002001-	
17		D011 062 00	*Pin	1		WK002001-	
18		0558 121 25	*Bolt, Treatment	1		WK002001-	M12X125 P=1.25
19		0535 120 00	*Nut, Treatment	4		WK002001-	M12 P=1.25
20		D414 097 00	*Bracket	1		WK002001-	
21		0558 122 30	*Bolt, Treatment	1		WK002001-	M12X230 P=1.25
22		D011 063 00	*Pin	1		WK002001-	
23		0690 201 11	*Plug, Hole	1		WK002001-	
24		D043 029 00	*Bushing	1		WK002001-	
25		0728 111 15	*Nipple, Grease	2		WK002001-	PT1/8
26		4006 240 01	*Shim	AR		WK002001-	d=112, t=1.6
26-1		4006 240 03	*Shim	AR		WK002001-	d=112, t=3.2
26-2		4006 240 04	*Shim	AR		WK002001-	d=112, t=2.3
26-3		4006 240 05	*Shim	AR		WK002001-	d=112, t=1.2
26-4		4006 240 06	*Shim	AR		WK002001-	d=112, t=2.0
26-5		4006 240 07	*Shim	AR		WK002001-	d=112, t=0.8



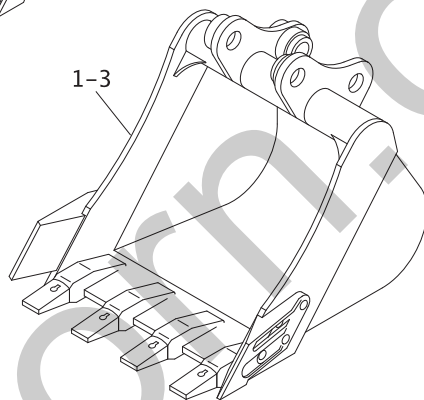
0.25M³(760mm)



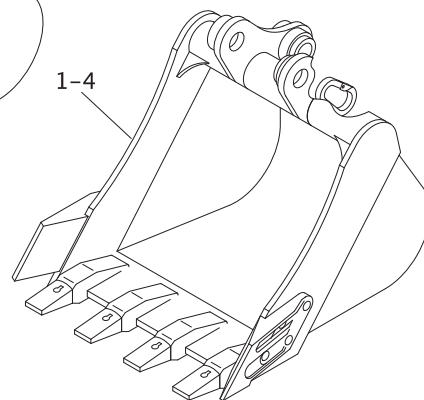
0.11M³(450mm)



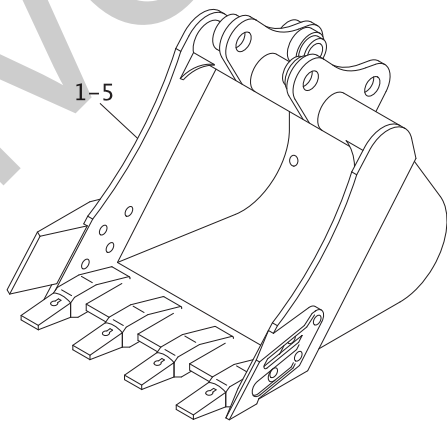
0.16M³(550mm)



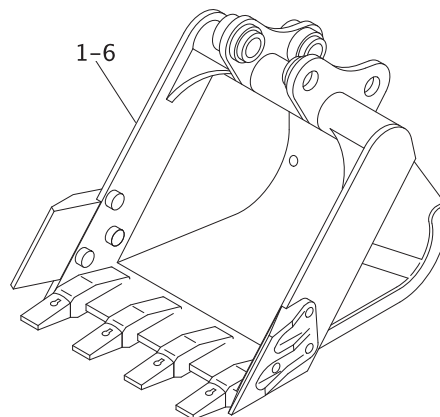
0.21M³(650mm)



0.25M³(760mm)



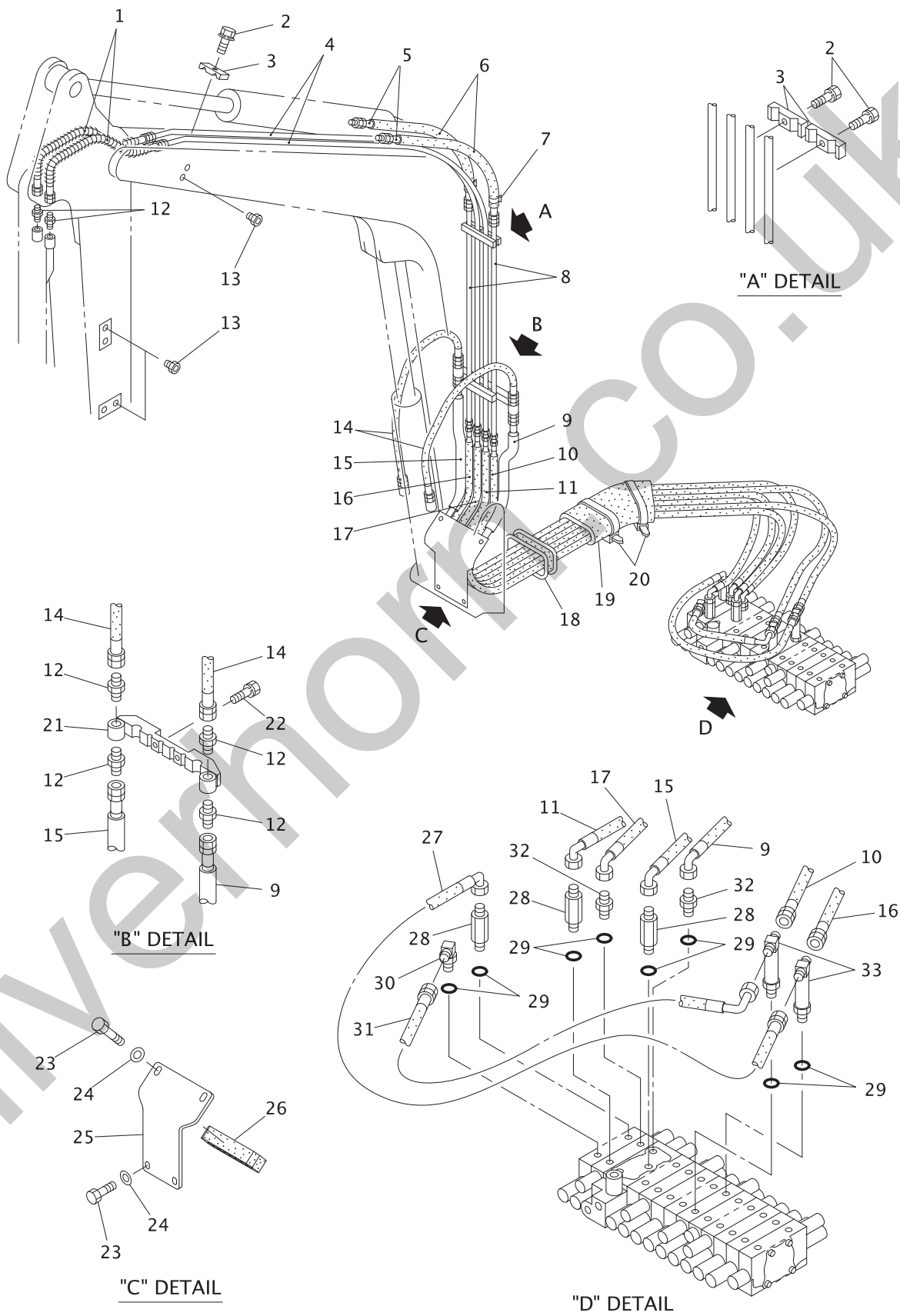
0.28M³(760mm)



0.25M³(760mm)

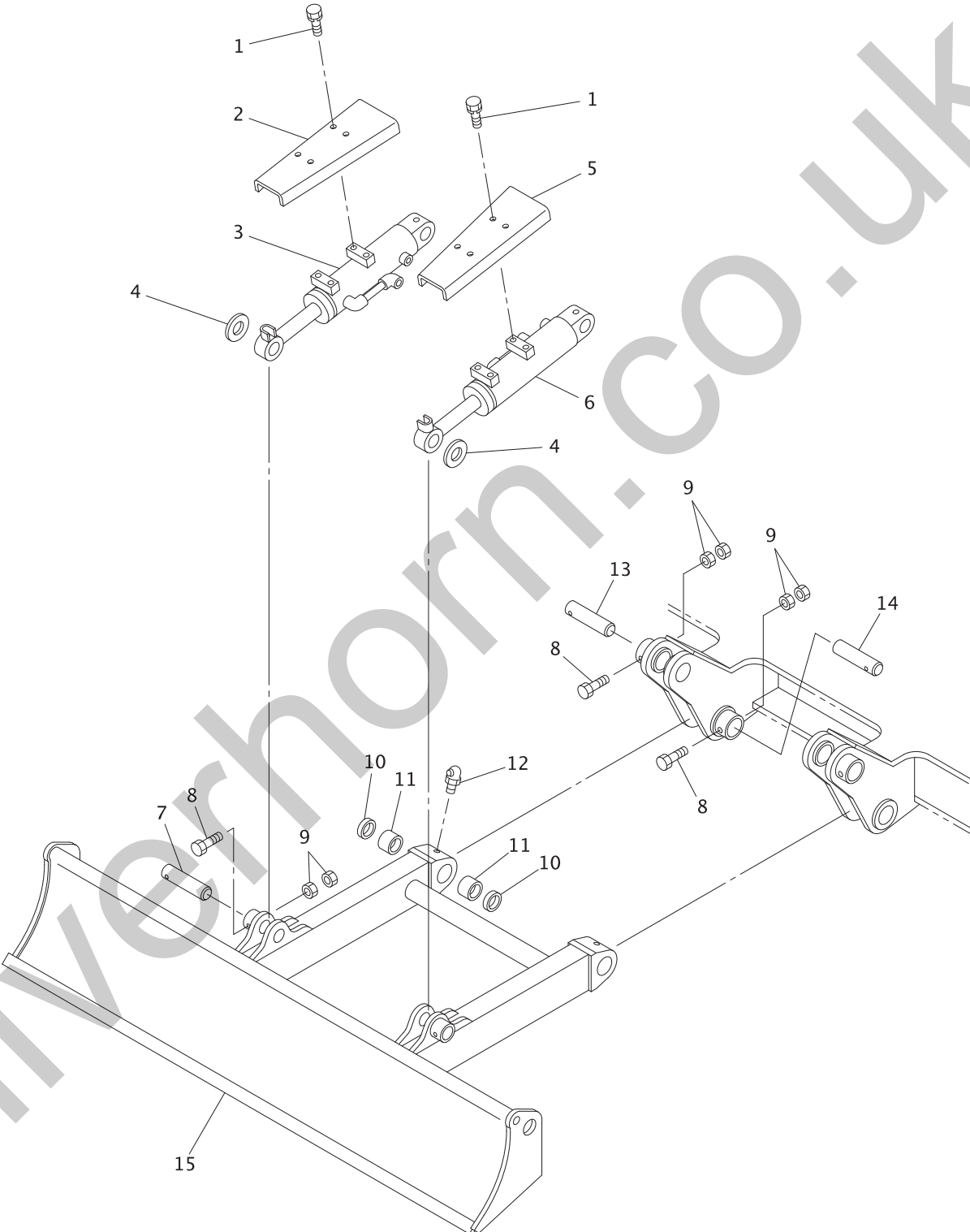
08-80V0-110300-1-0

KEY No.	SU P.	PART No.	DESCRIPTION	Q'TY	CHAN	SERIAL No.	REMARKS
0		F388 155 01	Bucket Ass'y, Hoe (0.25m3)	1		WK002001-	Std.
0-1		F388 129 02	Bucket Ass'y, Hoe (0.11m3)	1		WK002001-	
0-2		F388 219 01	Bucket Ass'y, Hoe (0.16m3)	1		WK002001-	
0-3		F388 129 04	Bucket Ass'y, Hoe (0.21m3)	1		WK002001-	
0-4		F388 156 01	Bucket Ass'y, Hoe (W/Hook, 0.25m3)	1		WK002001-	W/Hook
0-5		F388 129 01	Bucket Ass'y, Hoe (0.28m3)	1		WK002001-	
0-6		F388 164 01	Bucket Ass'y, Hoe (Reinforced, 0.25m3)	1		WK002001-	Reinforced
1	×	D270 081 00	*Bucket, Hoe (0.25m3, 760mm)	1		WK002001-	Std.
1-1	×	D270 057 00	*Bucket, Hoe (0.11m3, 450mm)	1		WK002001-	
1-2	×	D270 117 00	*Bucket, Hoe (0.16m3, 550mm)	1		WK002001-	
1-3	×	D270 055 00	*Bucket, Hoe (0.21m3, 650mm)	1		WK002001-	
1-4	×	D270 082 00	*Bucket, Hoe (W/Hook, 0.25m3, 760mm)	1		WK002001-	W/Hook
1-5	×	D270 048 00	*Bucket, Hoe (0.28m3, 760mm)	1		WK002001-	
1-6	×	D270 088 00	*Bucket, Hoe (Reinforced, 0.25m3, 760mm)	1		WK002001-	Reinforced
2		0650 207 01	**Adapter, Tooth	AR		WK002001-	
3		0584 160 00	*Nut, Treatment	8		WK002001-	M16 P=1.5
4		0595 160 00	*Washer, Treatment	8		WK002001-	M16
5		4123 013 00	*Cutter, Side	1		WK002001-	
6		0558 160 50	*Bolt, Treatment	8		WK002001-	M16X50 P=1.5
7		0650 207 04	*Pin, Rubber	AR		WK002001-	25-30LK
8		0650 207 03	*Pin, Lock	AR		WK002001-	25-30PN
9		0650 207 02	*Tooth	AR		WK002001-	25S
10		4123 012 00	*Cutter, Side	1		WK002001-	
11		0513 100 30	*Bolt, Treatment	4		WK002001-	M10X30
12		0590 100 00	*Washer, Lock	4		WK002001-	M10
13		4435 637 00	*Flange	1		WK002001-	
14		4007 309 00	*Shim	AR		WK002001-	t=0.8
15		4131 254 00	*Boss	1		WK002001-***	
15		D131 066 00	*Boss	1	○	***-	



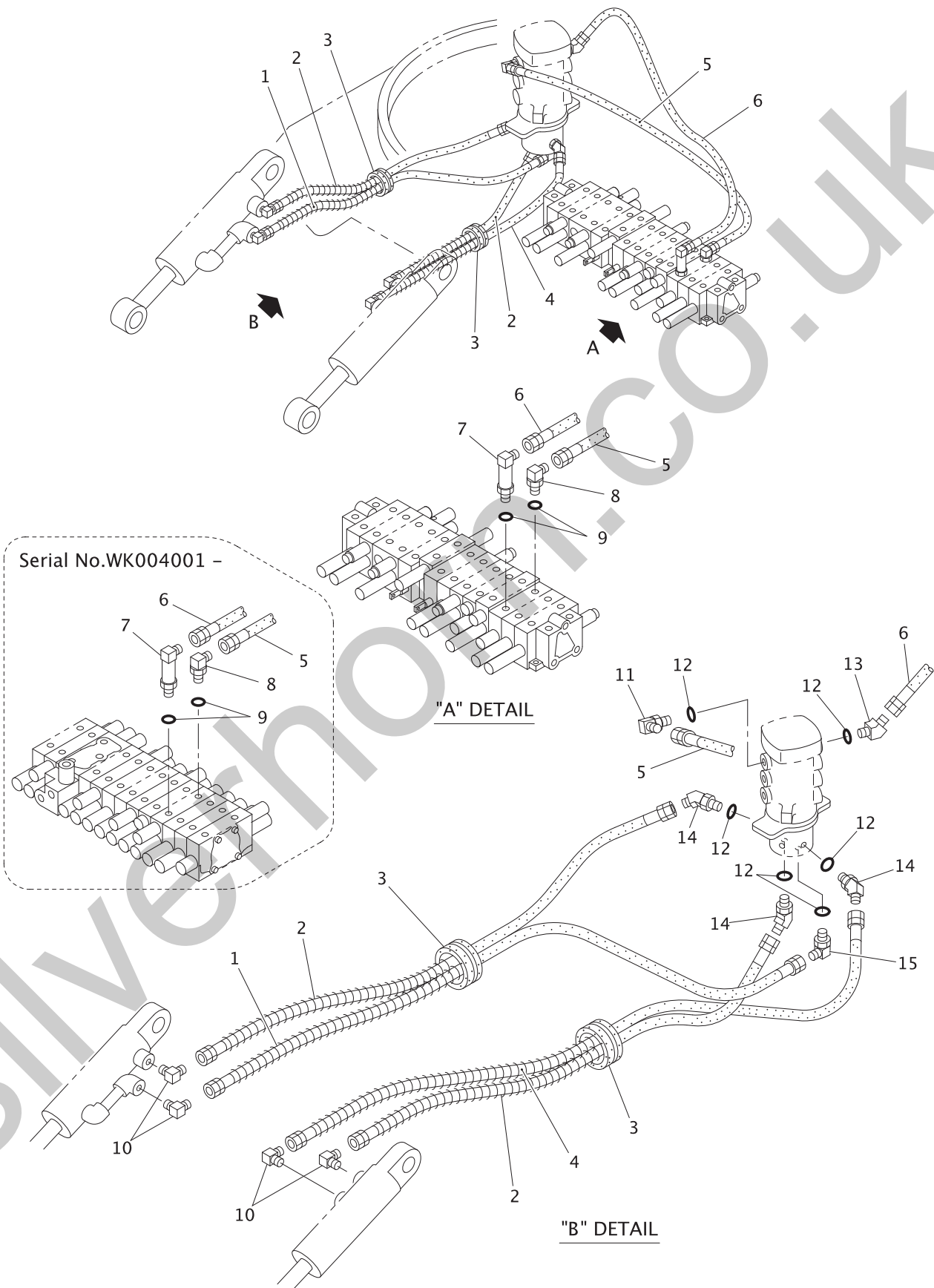
80VX-1104A0-1-0

KEY No.	SU P.	PART No.	DESCRIPTION	Q'TY	CHAN	SERIAL No.	REMARKS
0	×	F340 826 00	Piping Ass'y, Hoe Attachment	1		WK004001-	
0-1	×	F342 330 00	Piping Ass'y, Hoe Attachment	1		WK004001-	
1		4070 491 14	*Hose Ass'y	2		WK004001-	L=1190
1-1		4070 491 13	*Hose Ass'y (For Long Arm)	2		WK004001-	L=1500
2		0520 100 40	*Bolt, Treatment (W/L.W)	3		WK004001-	M10X40 P=1.25
3		D081 044 00	*Clamp, Tube	3		WK004001-	
4		D285 315 00	*Tube	2		WK004001-	
5		D070 107 04	*Hose Ass'y	2		WK004001-	L=700
6		4070 854 02	*Cover, Hose	2		WK004001-	L=600
7		0820 067 05	*Band, Cable	2		WK004001-	
8		D285 471 00	*Tube	2		WK004001-	
9		D070 106 03	*Hose Ass'y	1		WK004001-	L=2700
9-1	☆	4405 318 02	*Plate, Name (BB)	2		WK004001-	4405 318 00
10		D070 111 05	*Hose Ass'y	1		WK004001-	L=2800
10-1	☆	4405 320 01	*Plate, Name (AA)	2		WK004001-	4405 320 00
11		D070 106 01	*Hose Ass'y	1		WK004001-	L=2600
11-1	☆	4405 319 01	*Plate, Name (CA)	2		WK004001-	4405 319 00
12		0712 310 32	*Adapter	6		WK004001-	
13		0910 911 00	*Plug	12		WK004001-	
14		D070 108 01	*Hose Ass'y	2		WK004001-	L=1030
15		D070 106 03	*Hose Ass'y	1		WK004001-	L=2700
15-1	☆	4405 318 01	*Plate, Name (BA)	2		WK004001-	4405 318 00
16		D070 111 06	*Hose Ass'y	1		WK004001-	L=2850
16-1	☆	4405 320 02	*Plate, Name (AB)	2		WK004001-	4405 320 00
17		D070 106 06	*Hose Ass'y	1		WK004001-	L=2500
17-1	☆	4405 319 02	*Plate, Name (CB)	2		WK004001-	4405 319 00
18		4580 734 00	*Pad	1		WK004001-	
19		4070 350 01	*Cover, Hose	1		WK004001-	L=280
20		0820 067 10	*Band, Cable	2		WK004001-	
21		D081 045 00	*Clamp, Tube	1		WK004001-	
22		0520 100 50	*Bolt, Treatment (W/L.W)	2		WK004001-	M10X50 P=1.25
23		0513 100 20	*Bolt, Treatment	4		WK004001-	M10X20
24		0595 100 00	*Washer, Treatment	4		WK004001-	M10
25		D455 642 00	*Cover	1		WK004001-	
26		D580 043 00	*Pad	1		WK004001-	
27		4070 496 29	*Hose Ass'y	1		WK004001-	L=630
28		4072 971 00	*Connector	3		WK004001-	
29		0760 710 19	*Ring, O	8		WK004001-	P18-90B
30		0710 113 44	*Elbow	1		WK004001-	
31		4070 496 30	*Hose Ass'y	1		WK004001-	L=400
32		0713 700 04	*Adapter	1		WK004001-	
33		D060 217 00	*Connector	2		WK004001-	



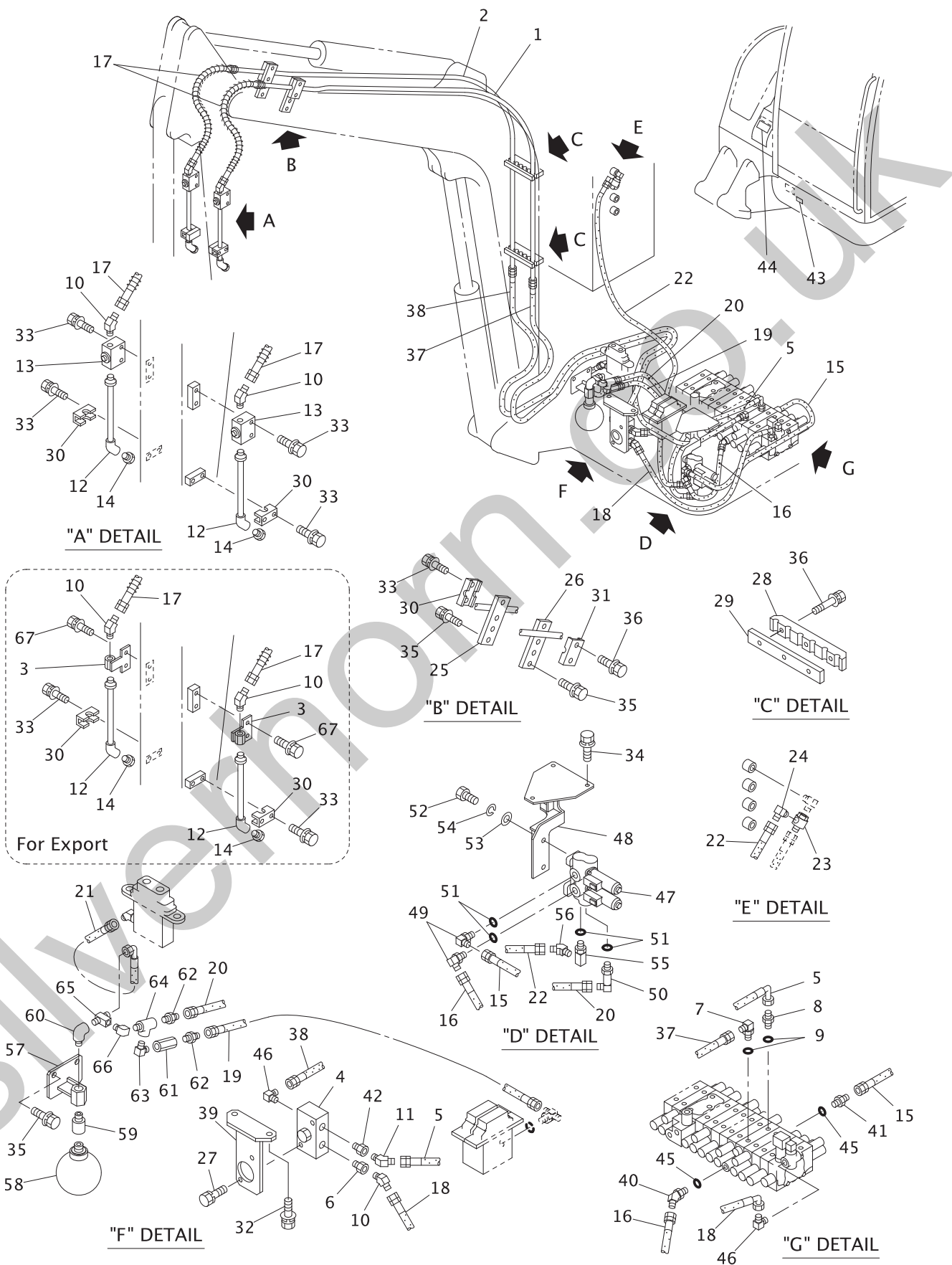
08-80V0-120100-1-0

KEY No.	SU P.	PART No.	DESCRIPTION	Q'TY	CHAN	SERIAL No.	REMARKS
0	×	F300 483 00	Blade Attachment Ass'y	1		WK002001- WK004000	
0	×	F300 904 00	Blade Attachment Ass'y	1		WK004001-	
1		0518 100 20	*Bolt, Treatment (W/L.W, F.W)	8		WK002001-	M10X20 P=1.25
2		D455 698 00	*Cover (R.H.)	1		WK002001-	
3	#	0782 315 UA	*Cylinder Ass'y, Blade (R.H.)	1		WK002001-	Sh. No. 5-12
4		4006 067 12	*Shim	AR		WK002001-	t=0.8
4-1		4006 067 13	*Shim	AR		WK002001-	t=1.6
4-2		4006 067 14	*Shim	AR		WK002001-	t=3.2
5		D455 697 00	*Cover (L.H.)	1		WK002001-	
6	#	0782 314 UA	*Cylinder Ass'y, Blade (L.H.)	1		WK002001-	Sh. No. 5-12
7		4011 165 05	*Pin	2		WK002001-	
8		0514 121 00	*Bolt, Treatment	6		WK002001-	M12X100 P=1.25
9		0535 120 00	*Nut, Treatment	12		WK002001-	M12 P=1.25
10		0765 033 28	*Seal, Dust	4		WK002001-	
11		4043 228 01	*Bushing	4		WK002001-	
12		0728 111 65	*Nipple, Grease	2		WK002001-	PT1/8X90
13		4011 252 07	*Pin	2		WK002001-	
14		4011 165 09	*Pin	2		WK002001-	
15		D257 044 00	*Blade	1		WK002001- WK004000	
15		D257 104 00	*Blade	1	○	WK004001-	



80VX-120200-1-1

KEY No.	SU P.	PART No.	DESCRIPTION	Q'TY	CHAN	SERIAL No.	REMARKS
0	×	F340 498 00	Piping Ass'y, Blade	1		WK002001-	
0-1	×	F341 885 00	Piping Ass'y, Blade	1		WK002001- WK004000	
0-1	×	F342 330 00	Piping Ass'y, Blade	1		WK004001-	
1		4070 115 01	*Hose Ass'y	1		WK002001-	L=1000
2		4070 115 15	*Hose Ass'y	2		WK002001-	L=950
3		4580 514 00	*Pad	2		WK002001-	
4		4070 115 04	*Hose Ass'y	1		WK002001-	L=1020
5		4070 476 07	*Hose Ass'y	1		WK002001-	L=1050
6		4070 476 08	*Hose Ass'y	1		WK002001-	L=950
7		4072 769 00	*Elbow	1		WK002001-	
8		0710 113 44	*Elbow	1		WK002001-	
9		0760 710 19	*Ring, 0	2		WK002001-	P18-90B
10		0712 310 51	*Elbow	4		WK002001-	
11		0710 113 34	*Elbow	1		WK002001-	
12		0760 710 16	*Ring, 0	6		WK002001-	P14-90B
13		0710 114 34	*Elbow, 45 Reducer	1		WK002001-	PF3/8X1/2
14		0710 114 33	*Elbow, 45	3		WK002001-	
15		0710 122 02	*Elbow	1		WK002001-	



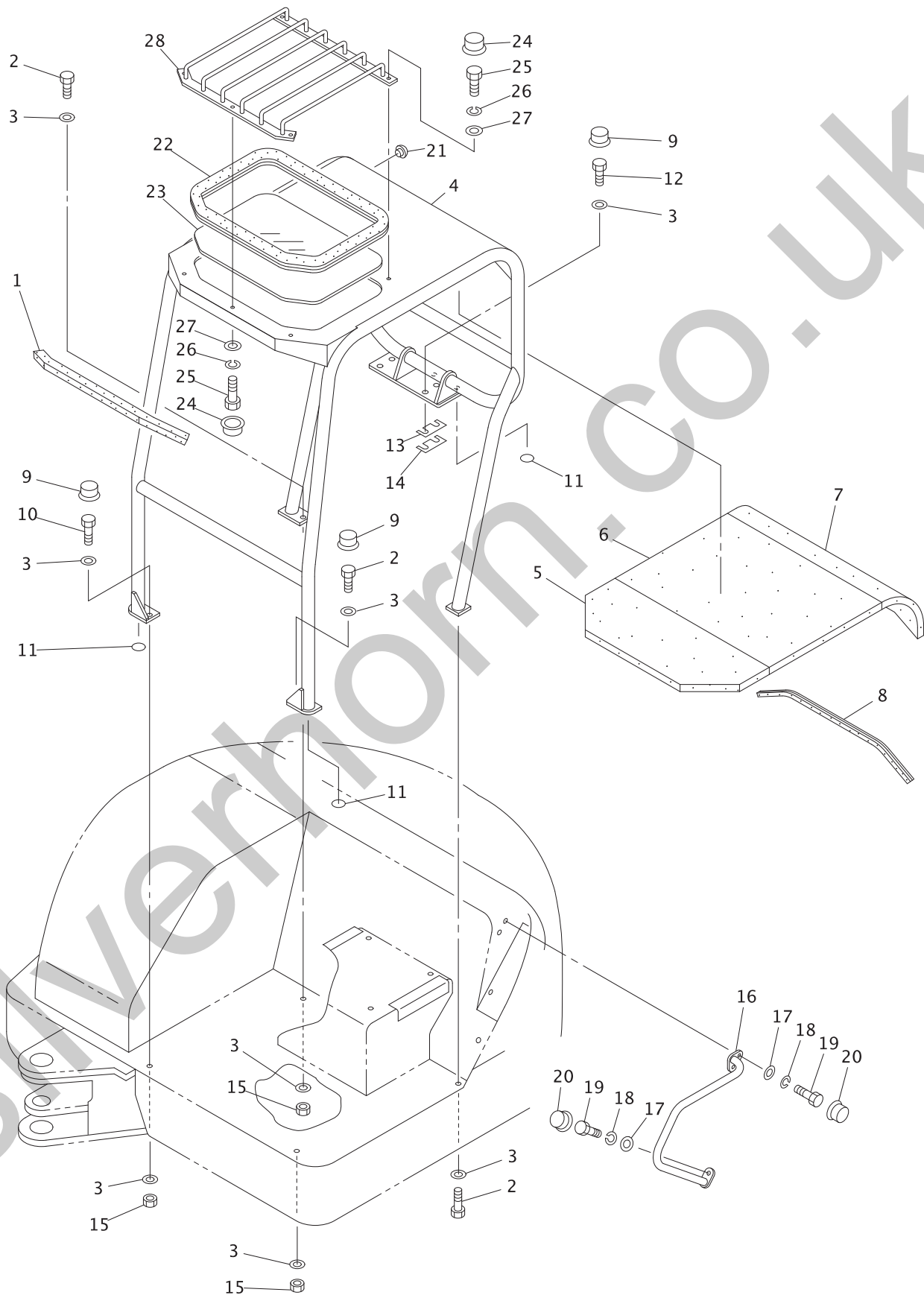
80VX-1501A0-1-0

KEY No.	SU P.	PART No.	DESCRIPTION	Q'TY	CHAN	SERIAL No.	REMARKS
0		F342 338 02	Piping Ass'y, Spare Port	1		WK004001-	
0-1		F342 338 03	Piping Ass'y, Spare Port	1		WK004001-	For Export
1		D285 499 00	*Tube	1		WK004001-	
2		D285 323 00	*Tube	1		WK004001-	
3		D060 130 00	*Connector	2		WK004001-	
4	#	0754 803 UA	*Manifold	1		WK004001-	Sh. No. 5-14
5		4070 496 21	*Hose Ass'y	1		WK004001-	L=450
6		0710 503 06	*Socket	1		WK004001-	
7		0710 113 44	*Elbow	1		WK004001-	
8		0713 700 04	*Adapter	1		WK004001-	
9		0760 710 19	*Ring, O	2		WK004001-	P18-90B
10		0712 310 43	*Elbow, 45	3		WK004001-	
11		0712 310 42	*Elbow, 45	1		WK004001-	
12		4293 091 00	*Tube	2		WK004001-	
13		0754 805 UA	*Cock	2		WK004001-	
14		4077 064 00	*Plug	2		WK004001-	
15		4070 548 12	*Hose Ass'y	1		WK004001-	L=1000
15-1	☆	D407 125 02	*Plate, Name (Y2)	2		WK004001-	D407 125 00
16		4070 548 36	*Hose Ass'y	1		WK004001-	L=550
16-1	☆	D407 125 01	*Plate, Name (Y1)	2		WK004001-	D407 125 00
17		4070 183 05	*Hose Ass'y	2		WK004001-	L=1140
18		D070 110 12	*Hose Ass'y	1		WK004001-	L=700
19		4070 548 57	*Hose Ass'y	1		WK004001-	L=450
20		4070 548 18	*Hose Ass'y	1		WK004001-	L=1050
21		4070 551 21	*Hose Ass'y	1		WK004001-	L=500
22		4070 548 65	*Hose Ass'y	1		WK004001-	L=1950
23		4072 930 01	*Adapter	1		WK004001-	
24		0712 310 50	*Elbow	1		WK004001-	
25		D082 019 00	*Seat, Clamp	1		WK004001-	
26		D082 020 00	*Seat, Clamp	1		WK004001-	
27		0519 080 20	*Bolt, Treatment (W/L.W)	2		WK004001-	M8X20
28		D081 046 00	*Seat, Clamp	2		WK004001-	
29		D082 018 00	*Seat, Clamp	2		WK004001-	
30		4081 410 00	*Clamp, Tube	3		WK004001-	
31		D081 023 00	*Clamp, Tube	1		WK004001-	
32		0518 100 20	*Bolt, Treatment (W/L.W, F.W)	2		WK004001-	M10X20 P=1.25
33		0518 100 60	*Bolt, Treatment (W/L.W, F.W)	10		WK004001-	M10X60 P=1.25
34		0518 100 25	*Bolt, Treatment (W/L.W, F.W)	3		WK004001-	M10X25 P=1.25
35		0518 100 30	*Bolt, Treatment (W/L.W, F.W)	6		WK004001-	M10X30 P=1.25
36		0518 100 50	*Bolt, Treatment (W/L.W, F.W)	8		WK004001-	M10X50 P=1.25
37		D070 111 02	*Hose Ass'y	1		WK004001-	L=3450

KEY No.	SU P.	PART No.	DESCRIPTION	Q'TY	CHAN	SERIAL No.	REMARKS
38		D070 112 02	*Hose Ass'y	1		WK004001-	L=2900
39		D414 163 00	*Bracket	1		WK004001-	
40		0710 121 00	*Elbow, 45	1		WK004001-	
41		0713 700 70	*Adapter	1		WK004001-	
42		0710 503 04	*Socket	1		WK004001-	
43		4447 874 00	*Plate, Name (Spare Port Change)	1		WK004001-	
44		4447 653 00	*Plate, Name (Caution)	1		WK004001-	
45		0760 710 12	*Ring, 0	2		WK004001-	P11-90B
46		0712 310 53	*Elbow	2		WK004001-	
47		0785 169 UA	*Valve, Solenoid	1		WK004001-	
48		D418 352 00	*Bracket	1		WK004001-	
49		0710 122 00	*Elbow	2		WK004001-	
50		D060 028 00	*Elbow	1		WK004001-	
51		0760 710 12	*Ring, 0	4		WK004001-	P11-90B
52		0550 080 16	*Bolt, Hex.	2		WK004001-	M8X16 P=1.25
53		0593 080 00	*Washer, Flat	2		WK004001-	M8
54		0590 080 00	*Washer, Lock	2		WK004001-	M8
55		0719 804 UA	*Elbow	1		WK004001-	
56		0712 310 40	*Elbow, 45	1		WK004001-	
57		D416 878 00	*Bracket	1		WK004001-	
58		0756 215 UA	*Accumulator Ass'y	1		WK004001-	
59		0713 705 04	*Adapter	1		WK004001-	
60		0710 120 04	*Elbow, Reducer	1		WK004001-	PT3/8XPT1/4
61		0753 016 UA	*Valve Ass'y, Check	1		WK004001-	
62		0712 310 30	*Adapter	2		WK004001-	
63		0710 118 02	*Elbow	1		WK004001-	
64		0710 708 02	*Tee	1		WK004001-	
65		4060 032 02	*Tee	1		WK004001-	
66		0710 102 02	*Elbow	1		WK004001-	
67		0518 100 20	*Bolt, Treatment (W/L.W, F.W)	4		WK004001-	M10X20 P=1.25

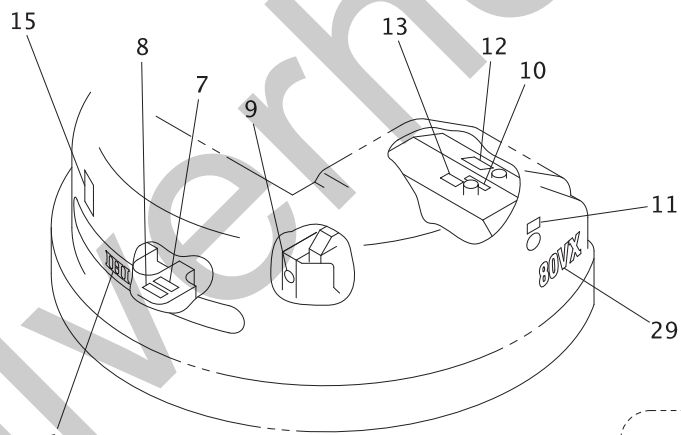
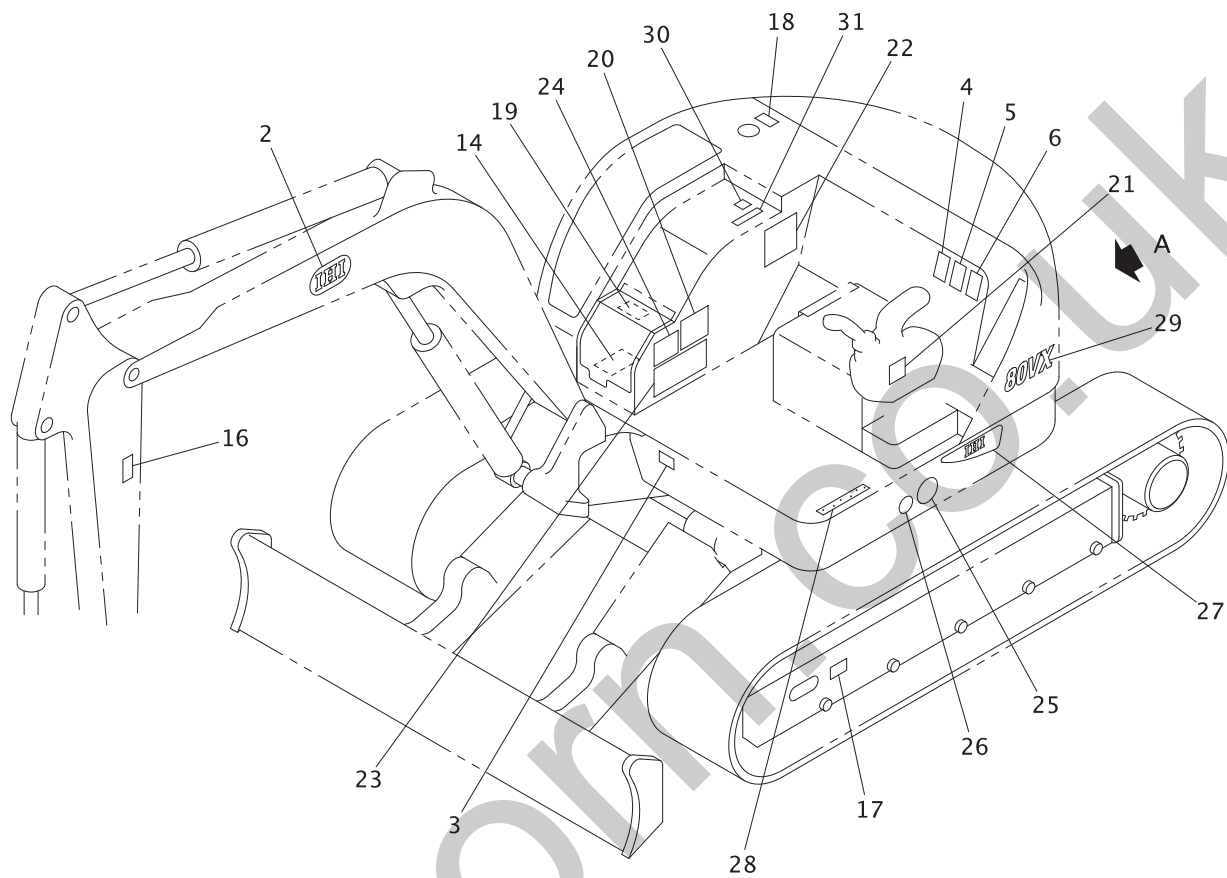
[Memo]

Silverhorn.CO.UK

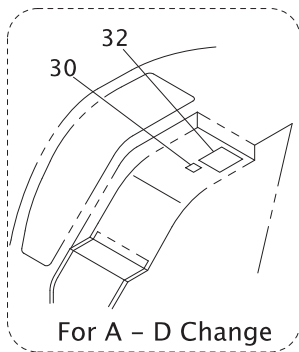


08-80V0-150200-1-0

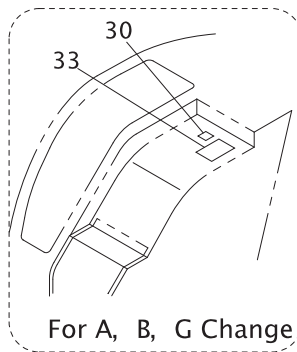
KEY No.	SU P.	PART No.	DESCRIPTION	Q'TY	CHAN	SERIAL No.	REMARKS
0	×	F353 566 00	Canopy Ass'y	1		WK002001-	
1		4550 519 00	*Seal, Trim	M		WK002001-	L=970
2		0555 160 50	*Bolt, Treatment	3		WK002001-	M16X50
3		0595 160 00	*Washer, Treatment	11		WK002001-	M16
4		D206 293 00	*Frame	1		WK002001-	
5		D467 583 00	*Panel, Sponge	1		WK002001-	
6		D467 692 00	*Panel, Sponge	1		WK002001-	
7		D467 265 00	*Panel, Sponge	1		WK002001-	
8		4550 519 00	*Seal, Trim	M		WK002001-	L=800
9		0690 202 97	*Cap	6		WK002001-	
10		0555 160 75	*Bolt, Treatment	1		WK002001-	M16X75
11		D405 272 00	*Seal	13		WK002001-	
12		0555 160 40	*Bolt, Treatment	4		WK002001-	M16X40
13		D400 345 00	*Shim	AR		WK002001-	t=1.6
14		D400 346 00	*Shim	AR		WK002001-	t=2.3
15		0585 160 00	*Nut, Treatment	3		WK002001-	M16
16		D470 210 00	*Guard	1		WK002001-	
17		0593 100 00	*Washer, Flat	3		WK002001-	M10
18		0590 100 00	*Washer, Lock	3		WK002001-	M10
19		0558 100 25	*Bolt, Treatment	3		WK002001-	M10X25 P=1.25
20		0690 202 59	*Cap	3		WK002001-	
21		0690 201 08	*Plug, Hole	2		WK002001-	
22		4550 005 00	*Seal	M		WK002001-	L=1800
23		D091 034 00	*Plate, Acryl	1		WK002001-	
24		0690 202 59	*Cap	6		WK002001-	
25		0550 100 20	*Bolt, Hex.	6		WK002001-	M10X20
26		0590 100 00	*Washer, Lock	6		WK002001-	M10
27		0593 100 00	*Washer, Flat	6		WK002001-	M10
28		D470 227 00	*Guard	1		WK002001-	



"A" DETAIL



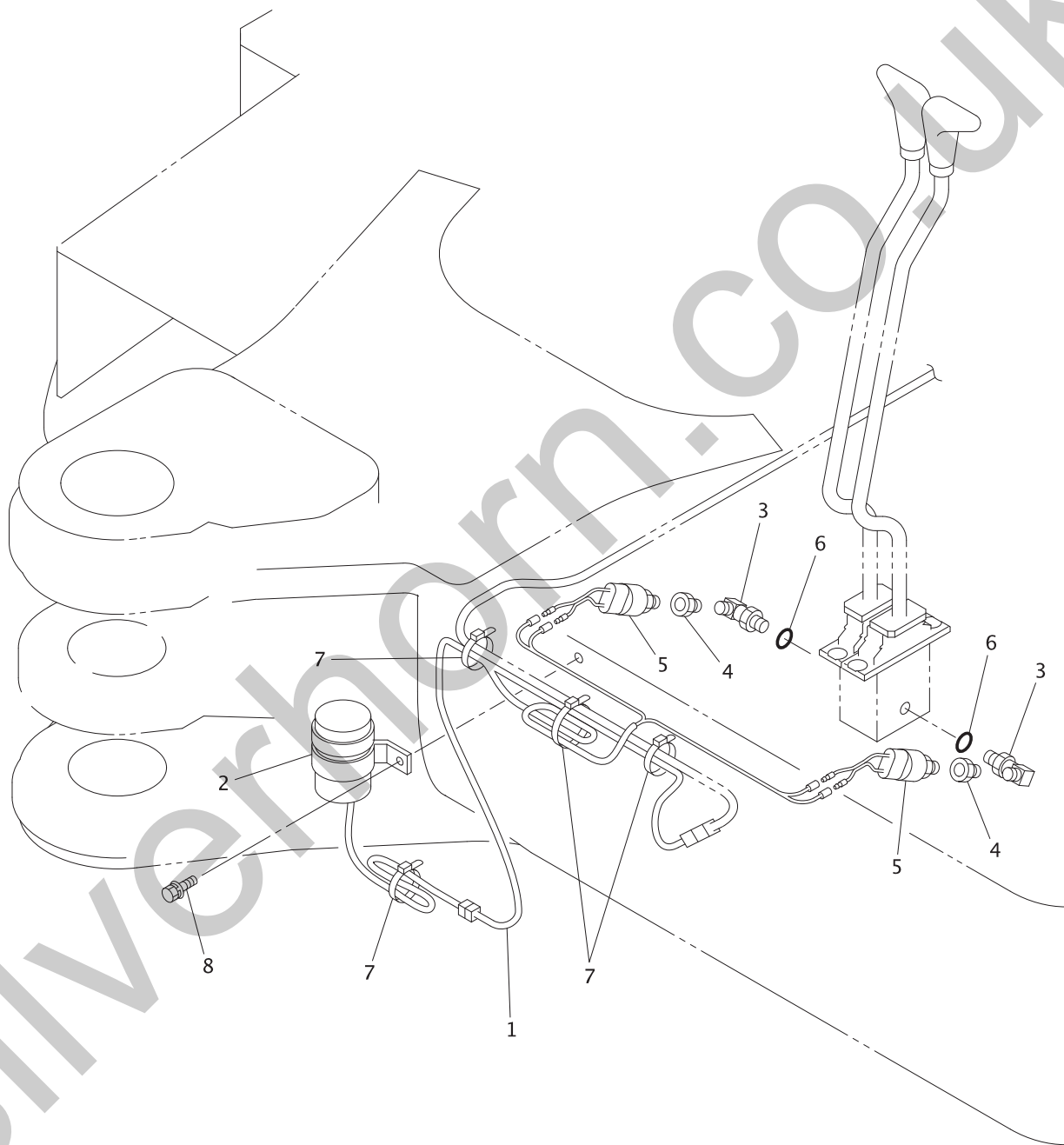
For A - D Change



For A, B, G Change

80VX-1503A0-1-0

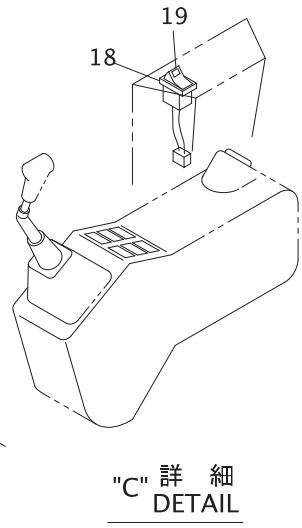
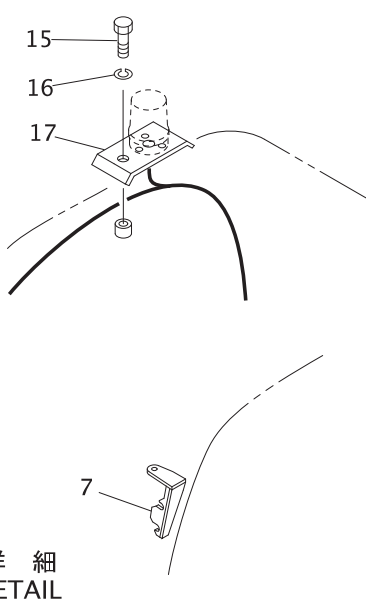
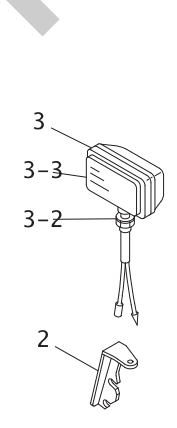
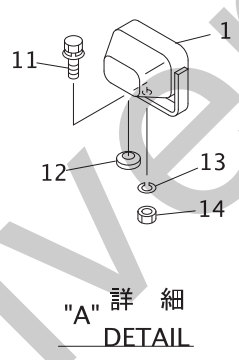
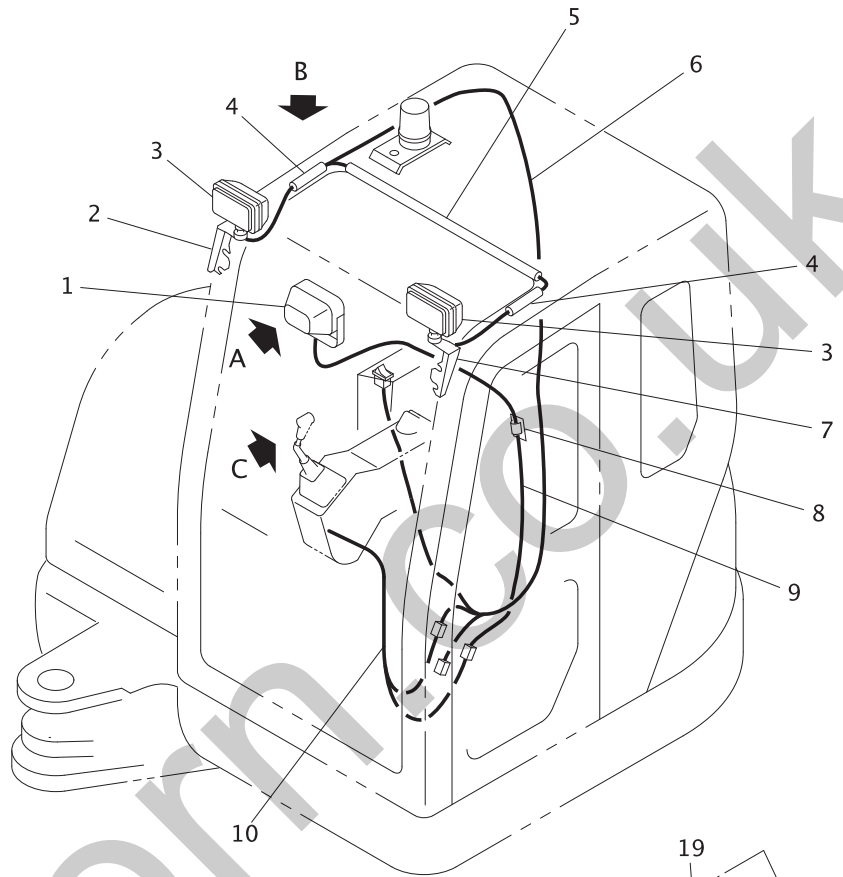
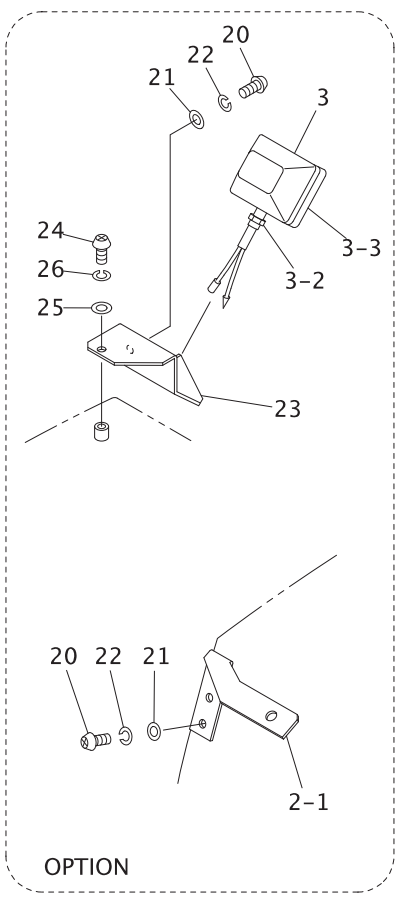
KEY No.	SU P.	PART No.	DESCRIPTION	Q'TY	CHAN	SERIAL No.	REMARKS
0	×	F377 676 00	Plate Ass'y, Name	1		WK004001-	
0-1	×	F377 666 00	Plate Ass'y, Name	1		WK004001-	
0-2	×	F376 464 00	Plate Ass'y, Name	1		WK004001-	
1		D405 465 00	*Plate, Name (IHI)	1		WK004001-	
2		D406 613 00	*Plate, Name (IHI)	2		WK004001-	
3	×	D405 094 00	*Plate, Name (Serial No.)	1		WK004001-	
3-1		0497 035 00	*Screw, Drive	4		WK004001-	d=3
4		D405 449 00	*Plate, Name (Caution)	1		WK004001-	
5		D405 451 00	*Plate, Name (Caution)	1		WK004001-	
6		D405 332 00	*Plate, Name (Caution)	1		WK004001-	
7		D405 664 00	*Plate, Name (Caution)	1		WK004001-	
8		D405 659 00	*Plate, Name (Caution)	1		WK004001-	
9		4407 035 00	*Plate, Name (Anti-Freezing Solution)	1		WK004001-	
10		4447 479 00	*Plate, Name (Oil)	1		WK004001-	
11		4447 650 00	*Plate, Name (Oil Check)	1		WK004001-	
12		4449 252 00	*Plate, Name (Oil)	1		WK004001-	
13		4449 253 00	*Plate, Name (Tank Decompression)	1		WK004001-	
14		D405 373 00	*Plate, Name (Caution)	1		WK004001-	
15		D405 450 00	*Plate, Name (Safty Swing)	1		WK004001-	
16		D405 454 00	*Plate, Name (Caution)	2		WK004001-	
17		D405 455 00	*Plate, Name (Caution)	2		WK004001-	
18		D405 462 00	*Plate, Name (Caution)	1		WK004001-	
19		D405 463 00	*Plate, Name (Caution)	1		WK004001-	
20		D406 597 00	*Plate, Name (Safety Works)	1		WK004001-	
21		D407 881 00	*Plate, Name (Lever Lock)	1		WK004001-	
22		D407 877 00	*Plate, Name (Engine Daily Check)	1		WK004001-	
23		D407 293 00	*Plate, Name (Lub. Chart)	1		WK004001-	
24		D407 329 00	*Plate, Name (Specification)	1		WK004001-	
25		D405 378 00	*Plate, Name (Low Noise)	1		WK004001-	
26		D406 631 00	*Plate, Name (Environment)	1		WK004001-	
27		D406 956 00	*Plate, Name (IHI)	1		WK004001-	
28		4407 669 08	*Plate, Nonslip	1		WK004001-	
29		D407 903 00	*Plate, Name (Model)	2		WK004001-	
30		D406 630 00	*Plate, Name (Blade, Pedal)	1		WK004001-	
31		D406 622 00	*Plate, Name (Control A)	1		WK004001-	
31-1		D406 623 00	*Plate, Name (Control B)	1		WK004001-	
31-2		D406 624 00	*Plate, Name (Control C)	1		WK004001-	
31-3		D406 625 00	*Plate, Name (Control D)	1		WK004001-	
31-4		D406 627 00	*Plate, Name (Control G)	1		WK004001-	
32		D406 628 00	*Plate, Name (Control A-D)	1		WK004001-	
33		D406 629 00	*Plate, Name (Control A, B, G)	1		WK004001-	



80VX-1505A0-1-0

KEY No.	SU P.	PART No.	DESCRIPTION	Q'TY	CHAN	SERIAL No.	REMARKS
0	×	F366 710 00	Alarm Device, Traction	1		WK004001-	
1		D592 044 00	Harness	1		WK004001-	
2		0857 011 48	Horn, Back	1		WK004001-	
3		0719 804 UA	Elbow	2		WK004001-	
4		0710 400 24	Bush, Reducer	2		WK004001-	R1/4XRc1/8
5		0858 180 10	Switch	2		WK004001-	
6		0760 710 12	Ring, O	2		WK004001-	P11-90B
7		0820 067 05	Band, Cable	4		WK004001-	
8		0517 080 25	Bolt, Treatment (W/L.W, F.W)	1		WK004001-	M8X25

Silverhorn.CO.UK



08-80V0-150600-1-0

KEY No.	SU P.	PART No.	DESCRIPTION	Q'TY	CHAN	SERIAL No.	REMARKS
0	×	F385 067 00	Light Ass'y	1		WK002001-	
0-1	×	F385 171 00	Light Ass'y	1		WK002001-	For Ital Cab
1		0854 010 21	*Light	1		WK002001-	
2		D415 422 00	*Bracket (R.H.)	1		WK002001-	
2-1		D416 713 00	*Bracket (R.H.)	1		WK002001-	For Ital Cab
3		0854 523 UA	*Light	AR		WK002001-	
3-1		0854 523 06	**Bulb	1		WK002001-	12V-35W
3-2		0854 523 08	**Nut, Hex.	1		WK002001-	M12 P=1.25
3-3		0854 523 01	**Lens	1		WK002001-	
4		4522 707 01	*Duct	2		WK002001-	
5		4522 707 02	*Duct	1		WK002001-	
6		0858 200 38	*Harness, Wire	1		WK002001-	
7		4424 538 00	*Bracket (L.H.)	1		WK002001-	
7-1		D416 170 00	*Bracket (L.H.)	1		WK002001-	For Ital Cab
8		0820 069 04	*Sticker	1		WK002001-	
9		0858 200 37	*Harness, Wire	1		WK002001-	
10		0879 550 53	*Harness, Wire	1		WK002001-	
11		0517 080 20	*Bolt, Treatment (W/L.W, F.W)	1		WK002001-	M8X20
12		0910 940 52	*Grommet	1		WK002001-	
13		0590 080 00	*Washer, Lock	1		WK002001-	M8
14		0544 080 00	*Nut, Hex.	1		WK002001-	M8
15		0513 120 20	*Bolt, Treatment	1		WK002001-	M12X20
16		0590 120 00	*Washer, Lock	1		WK002001-	M12
17		4418 316 00	*Bracket	1		WK002001-	
18		0858 120 08	*Switch	1		WK002001-	
18-1		0858 314 11	*Switch	AR		WK002001-	For Ital Cab
19		0858 314 12	*Plate, Name (Light)	1		WK002001-	For Ital Cab
19-1		0858 314 13	*Plate, Name (Rotary)	1		WK002001-	For Ital Cab
20		4004 281 02	*Bolt, Button Head	AR		WK002001-	M10X25
21		0593 100 00	*Washer, Flat	AR		WK002001-	M10
22		0590 100 00	*Washer, Lock	AR		WK002001-	M10
23		D416 368 00	*Bracket	1		WK002001-	
24		4004 322 01	*Bolt, Button Head	1		WK002001-	M12X20
25		0593 120 00	*Washer, Flat	1		WK002001-	M12
26		0590 120 00	*Washer, Lock	1		WK002001-	M12

ALPHABETICAL INDEX

Parts Name	P/N	Page *1	Item
Hub	*****	50	9
Hub, Coupling	*****	106	4
Lower Machine Ass'y	*****	2	0
Shaft Ass'y	*****	50	10
Wire	032210899	102	28
Bolt, Shoe	040820101	6	14
Screw, Tapping	045440020	172	25
Bolt, Treatment (W/Flange)	045714040	2	21
Bolt, Flange	047908016	98	29
Bolt, Treatment (W/Flange)	048010020	2	29
Bolt, Treatment (W/Flange)	048010020	116	40
Washer, Wave	049170008	112	78
Ring, Snap	049350025	60	61
Ring, Snap	049350030	106	5
Ring, Snap	049350035	46	14
Ring, Snap	049350080	60	37
Ring, Snap	049351016	92	22
Ring, Snap	049351025	46	75
Ring, Snap	049351025	80	6
Ring, Snap	049351030	14	5
Ring, Snap	049351030	46	85
Ring, Snap	049351030	78	11
Ring, Snap	049351035	46	80
Ring, Snap	049351035	60	36
Ring, Snap	049351045	42	32
Ring, Snap	049351072	50	7
Ring, E	049356007	92	20
Ring, Snap	049371055	68	16
Ring, Snap	049371060	72	6
Ring, Snap	049371062	68	6
Ring, Snap	049371072	66	8
Ring, Snap	049371076	70	9
Ring, Snap	049371082	64	8
Ring, Snap	049371082	66	10
Pin, Spring	049460408	60	9
Pin, Spring	049460608	60	19
Pin, Spring	049460612	78	12
Ring, Spring	049460620	46	81
Pin, Spring	049460625	74	2
Pin, Spring	049460625	76	2
Pin, Spring	049460810	106	2
Pin, Spring	049460820	106	8
Pin, Spring	049460840	92	34
Pin, Spring	049460916	46	8
Pin, Spring	049460920	46	91
Pin, Spring	049460926	96	15
Pin, Spring	049461024	74	4
Pin, Spring	049461024	76	4
Pin, Spring	049465175	10	1
Pin, Dowel	049480410	42	78
Pin, Dowel	049480814	60	34
Pin	049480815	46	33

*1 Note

ALPHABETICAL INDEX

Parts Name	P/N	Page *1	Item
Screw, Drive	049703500	128	3-1
Screw, Drive	049703500	130	3-2
Screw, Drive	049703500	134	2-1
Screw, Drive	049703500	138	3-1
Screw, Drive	049703500	142	3-1
Screw, Drive	049703500	146	3-1
Screw, Drive	049703500	150	3-1
Screw, Drive	049703500	154	3-1
Screw, Drive	049703500	200	3-1
Bolt, Treatment	051310016	180	32
Bolt, Treatment	051310020	64	26
Bolt, Treatment	051310020	66	36
Bolt, Treatment	051310020	68	26
Bolt, Treatment	051310020	70	29
Bolt, Treatment	051310020	112	49
Bolt, Treatment	051310020	188	23
Bolt, Treatment (W/L.W, F.W)	051310020	22	56
Bolt, Treatment	051310025	112	16
Bolt, Treatment	051310030	72	30
Bolt, Treatment	051310030	106	11
Bolt, Treatment	051310030	186	11
Bolt, Treatment	051312020	204	15
Bolt, Treatment	051410030	16	5
Bolt, Treatment (For Steel Shoe)	051412050	8	22-1
Bolt, Treatment (For Rubber Shoe)	051412060	8	22
Bolt, Treatment	051412100	180	49
Bolt, Treatment	051412100	190	8
Bolt, Treatment	051412130	180	48
Bolt, Treatment (W/L.W, F.W)	051706012	92	25
Bolt, Treatment (W/L.W, F.W)	051706012	172	24
Bolt, Treatment (W/L.W, F.W)	051706016	92	24
Bolt, Treatment (W/L.W, F.W)	051706016	112	10
Bolt, Treatment (W/L.W, F.W)	051706016	168	43
Bolt, Treatment (W/L.W, F.W)	051706016	172	15
Bolt, Treatment (W/L.W, F.W)	051706020	172	41
Bolt, Treatment (W/L.W, F.W)	051706025	30	5
Bolt, Treatment (W/L.W, F.W)	051706025	34	5
Bolt, Treatment (W/L.W, F.W)	051706025	38	5
Bolt, Treatment (W/L.W, F.W)	051706025	112	95

*1 Note

ALPHABETICAL INDEX

Parts Name	P/N	Page *1	Item
Bolt, Treatment (W/L.W, F.W)	051706030	112	2
Bolt, Treatment (W/L.W, F.W)	051706060	30	46
Bolt, Treatment (W/L.W, F.W)	051706060	34	52
Bolt, Treatment (W/L.W, F.W)	051706060	38	51
Bolt, Treatment (W/L.W, F.W)	051708012	2	4
Bolt, Treatment (W/L.W, F.W)	051708016	30	45
Bolt, Treatment (W/L.W, F.W)	051708016	34	51
Bolt, Treatment (W/L.W, F.W)	051708016	38	50
Bolt, Treatment (W/L.W, F.W)	051708016	96	14
Bolt, Treatment (W/L.W, F.W)	051708016	112	13
Bolt, Treatment (W/L.W, F.W)	051708016	168	15
Bolt, Treatment (W/L.W, F.W)	051708020	38	81
Bolt, Treatment (W/L.W, F.W)	051708020	90	14
Bolt, Treatment (W/L.W, F.W)	051708020	92	23
Bolt, Treatment (W/L.W, F.W)	051708020	96	5
Bolt, Treatment (W/L.W, F.W)	051708020	98	26
Bolt, Treatment (W/L.W, F.W)	051708020	102	18
Bolt, Treatment (W/L.W, F.W)	051708020	112	62
Bolt, Treatment (W/L.W, F.W)	051708020	116	1
Bolt, Treatment (W/L.W, F.W)	051708020	124	5
Bolt, Treatment (W/L.W, F.W)	051708020	172	23
Bolt, Treatment (W/L.W, F.W)	051708020	176	9
Bolt, Treatment (W/L.W, F.W)	051708020	204	11
Bolt, Treatment (W/L.W, F.W)	051708025	90	22
Bolt, Treatment (W/L.W, F.W)	051708025	112	99
Bolt, Treatment (W/L.W, F.W)	051708025	124	8
Bolt, Treatment (W/L.W, F.W)	051708025	202	8

*1 Note

ALPHABETICAL INDEX

Parts Name	P/N	Page *1	Item
F.W)			
Bolt, Treatment (W/L.W, F.W)	051708030	96	6
Bolt, Treatment (W/L.W, F.W)	051708030	102	20
Bolt, Treatment (W/L.W, F.W)	051708040	172	9
Bolt, Treatment (W/L.W, F.W)	051710020	112	66
Bolt, Treatment (W/L.W, F.W)	051710035	30	61
Bolt, Treatment (W/L.W, F.W)	051710035	34	67
Bolt, Treatment (W/L.W, F.W)	051710035	38	66
Bolt, Treatment (W/L.W, F.W)	051810020	2	29
Bolt, Treatment (W/L.W, F.W)	051810020	2	7
Bolt, Treatment (W/L.W, F.W)	051810020	96	27
Bolt, Treatment (W/L.W, F.W)	051810020	102	21
Bolt, Treatment (W/L.W, F.W)	051810020	112	29
Bolt, Treatment (W/L.W, F.W)	051810020	116	18
Bolt, Treatment (W/L.W, F.W)	051810020	168	14
Bolt, Treatment (W/L.W, F.W)	051810020	168	38
Bolt, Treatment (W/L.W, F.W)	051810020	190	1
Bolt, Treatment (W/L.W, F.W)	051810020	194	32
Bolt, Treatment (W/L.W, F.W)	051810020	194	67
Bolt, Treatment (W/L.W, F.W)	051810025	22	20
Bolt, Treatment (W/L.W, F.W)	051810025	90	13
Bolt, Treatment (W/L.W, F.W)	051810025	92	8
Bolt, Treatment (W/L.W, F.W)	051810025	98	49
Bolt, Treatment (W/L.W, F.W)	051810025	102	19
Bolt, Treatment (W/L.W, F.W)	051810025	112	30
Bolt, Treatment (W/L.W, F.W)	051810025	116	14
Bolt, Treatment (W/L.W, F.W)	051810025	168	35

*1 Note

ALPHABETICAL INDEX

Parts Name	P/N	Page *1	Item
Bolt, Treatment (W/L.W, F.W)	051810025	168	45
Bolt, Treatment (W/L.W, F.W)	051810025	172	10
Bolt, Treatment (W/L.W, F.W)	051810025	194	34
Bolt, Treatment (W/L.W, F.W)	051810030	112	67
Bolt, Treatment (W/L.W, F.W)	051810030	116	31
Bolt, Treatment (W/L.W, F.W)	051810030	194	35
Bolt, Treatment (W/L.W, F.W)	051810040	116	12
Bolt, Treatment (W/L.W, F.W)	051810050	194	36
Bolt, Treatment (W/L.W, F.W)	051810060	194	33
Bolt, Treatment (W/L.W, F.W)	051812020	168	27
Bolt, Treatment (W/L.W, F.W)	051812025	108	8
Bolt, Treatment (W/L.W)	051906012	112	23
Bolt, Treatment (W/L.W)	051908020	168	49
Bolt, Treatment (W/L.W)	051908020	194	27
Bolt, Treatment (W/L.W)	051908025	168	39
Bolt, Treatment (W/L.W)	051912025	30	47
Bolt, Treatment (W/L.W)	052010020	34	53
Bolt, Treatment (W/L.W)	052010030	112	64
Bolt, Treatment (W/L.W)	052010035	116	34
Bolt, Treatment (W/L.W)	052010040	90	12
Bolt, Treatment (W/L.W)	052010040	188	2
Bolt, Treatment (W/L.W)	052010050	188	22
Bolt, Treatment (W/L.W)	052012025	38	52
Bolt, Treatment (W/L.W)	052012025	58	10
Bolt, Treatment (W/L.W)	052012030	112	73
Nut, Hex. (W/F.W)	052106000	168	21
Nut, Hex. (W/F.W)	052106000	168	34
Nut, Hex. (W/F.W)	052106000	172	36
Nut, Hex. (W/F.W)	052108000	30	71
Nut, Hex. (W/F.W)	052108000	38	76
Nut, Hex. (W/F.W)	052108000	102	24
Nut, Hex. (W/F.W)	052108000	124	6
Nut, Hex. (W/F.W)	052108000	168	17
Nut, Hex. (W/F.W)	052108000	168	44-4
Nut, Hex. (W/F.W)	052108000	34	77
Nut, Hex. (W/F.W)	052108000	92	40
Nut, Hex. (W/F.W)	052410000	108	21
Nut, Hex. (W/F.W)	052410000	116	25
Nut, Hex. (W/F.W)	052410000	168	16
Nut, Treatment	053512000	180	50
Nut, Treatment	053512000	184	19
Nut, Treatment	053512000	190	9

*1 Note

ALPHABETICAL INDEX

Parts Name	P/N	Page *1	Item
Bolt, Hex.	054110020	116	27
Bolt, Treatment	054110020	112	81
Nut, Hex.	054406000	168	36
Nut, Hex.	054408000	204	14
Nut, Half	054812000	92	28
Nut, Half	054814000	92	33
Nut, Half	054910000	102	23
Nut, Half	054914000	90	10
Bolt, Hex.	055006025	108	25
Bolt, Hex.	055008016	194	52
Bolt, Hex.	055008020	112	33
Bolt, Hex.	055008020	116	7
Bolt, Hex.	055008025	168	40
Bolt, Hex.	055008070	108	22
Bolt, Hex.	055010020	108	18
Bolt, Hex.	055010020	168	18
Bolt, Hex.	055010020	180	30
Bolt, Hex.	055010020	198	25
Bolt, Hex.	055010030	98	56
Bolt, Hex. (Full-Thread)	055116100	158	7
Bolt, Hex. (Full-Thread)	055116110	158	10
Bolt, Hex. (Full-Thread)	055116130	158	9
Bolt, Hex.	055208020	168	44-3
Bolt, Treatment	055508020	42	25
Bolt Treatment	055510020	42	33
Bolt, Treatment	055510020	58	15
Bolt, Treatment	055510025	60	58
Bolt, Treatment	055512030	98	48
Bolt, Treatment	055512035	2	28
Bolt, Treatment	055516030	184	11
Bolt, Treatment	055516040	2	15
Bolt, Treatment	055516040	126	11
Bolt, Treatment	055516040	198	12
Bolt, Treatment	055516045	180	15
Bolt, Treatment	055516050	198	2
Bolt, Treatment	055516070	2	13
Bolt, Treatment	055516075	198	10
Bolt, Treatment	055520030	2	20
Bolt, Treatment	055520170	126	16
Bolt, Treatment	055524070	126	9
Bolt, Treatment	055524370	126	2
Bolt, Treatment	055524450	126	6
Bolt, Treatment	055810025	198	19
Bolt, Treatment	055812125	184	18
Bolt, Treatment	055812230	184	21
Bolt, Treatment	055816030	180	8
Bolt, Treatment	055816035	18	4
Bolt, Treatment	055816035	106	14
Bolt, Treatment	055816050	20	2
Bolt, Treatment	055816050	186	6
Bolt, Treatment	055816080	18	7
Bolt, Treatment	055816090	18	6

*1 Note

ALPHABETICAL INDEX

Parts Name	P/N	Page *1	Item
Bolt, Treatment	055816120	180	39
Screw, Set	056108016	64	16
Screw, Set	056108016	66	18
Screw, Set	056108016	68	17
Screw, Set	056108016	70	16
Screw, Set	056108016	72	16
Bolt, Socket Head	056204010	60	77
Bolt, Socket Head	056205014	78	3
Bolt, Socket Head	056206015	46	58
Bolt, Socket Head	056206018	53	22
Bolt, Socket Head	056206020	46	51
Bolt, Socket Head	056206050	53	58
Bolt, Socket Head	056206050	88	19
Bolt, Socket Head	056208016	74	8
Bolt, Socket Head	056208016	76	8
Bolt, Socket Head	056208016	82	10
Bolt, Socket Head	056208020	102	36
Bolt, Socket Head	056208022	60	64
Bolt, Socket Head	056208025	46	73
Bolt, Socket Head	056208025	50	5
Bolt, Socket Head	056208025	60	76
Bolt, Socket Head	056208025	74	5
Bolt, Socket Head	056208025	76	5
Bolt, Socket Head	056210030	60	40
Bolt, Socket Head	056210065	46	1
Bolt, Socket Head	056212030	22	34
Bolt, Socket Head	056212030	42	79
Bolt, Socket Head	056214040	60	71
Bolt, Socket Head	056214065	60	69
Bolt, Socket Head	056214075	60	73
Bolt, Socket Head	056214090	60	24
Bolt, Socket Head	056216050	106	3
Screw, Pan Head	056503010	30	94
Screw, Pan Head	056503010	38	92
Screw, Pan Head	056504008	96	7
Screw, Pan Head	056504012	172	46
Screw, Pan Head	056505008	112	6
Screw, Pan Head	056505010	108	9
Screw, Pan Head	056506025	92	5
Screw, Set	056704008	82	5
Screw, Set	056808012	42	31
Nut	058008000	53	61
Nut, Hex.	058008000	102	25
Nut, Hex.	058012000	22	35
Nut, Hex.	058016000	158	1
Nut, Hex.	058020000	8	11
Nut, Hex.	058020000	60	16
Nut, Treatment	058416000	180	41
Nut, Treatment	058416000	186	3
Nut, Treatment	058516000	198	15
Nut, Castle	058736000	180	57
Nut, Castle	058736000	180	2

*1 Note

ALPHABETICAL INDEX

Parts Name	P/N	Page *1	Item
Washer, Lock	059004000	172	48
Washer, Lock	059005000	78	2
Washer, Lock	059005000	108	10
Washer, Lock	059005000	112	7
Washer, Lock	059006000	92	29
Washer, Lock	059006000	172	7
Washer, Lock.	059006000	108	32
Washer, Flat	059008000	92	26
Washer, Lock	059008000	98	63
Washer, Lock	059008000	102	26
Washer, Lock	059008000	112	34
Washer, Lock	059008000	116	8
Washer, Lock	059008000	168	41
Washer, Lock	059008000	194	54
Washer, Lock	059008000	204	13
Washer, Lock.	059008000	108	24
Washer, Lock	059010000	22	58
Washer, Lock	059010000	58	14
Washer, Lock	059010000	60	57
Washer, Lock	059010000	72	29
Washer, Lock	059010000	98	57
Washer, Lock	059010000	108	20
Washer, Lock	059010000	112	17
Washer, Lock	059010000	116	28
Washer, Lock	059010000	168	19
Washer, Lock	059010000	180	29
Washer, Lock	059010000	186	12
Washer, Lock	059010000	198	18
Washer, Lock	059010000	198	26
Washer, Lock	059010000	204	22
Washer, Lock	059012000	22	36
Washer, Lock	059012000	204	16
Washer, Lock	059012000	204	26
Washer, Lock	059016000	2	23
Washer, Lock	059016000	158	2
Washer, Lock	059016000	184	6
Washer, Flat	059303000	30	95
Washer, Flat	059303000	38	93
Washer, Flat	059304000	172	47
Washer, Flat	059304000	172	26
Washer, Flat	059306000	92	46
Washer, Flat	059306000	108	31
Washer, Flat	059306000	112	97
Washer, Flat	059306000	172	8
Washer, Flat	059308000	98	50
Washer, Flat	059308000	102	37
Washer, Flat	059308000	108	23
Washer, Flat	059308000	112	4
Washer, Flat	059308000	116	9
Washer, Flat	059308000	168	42
Washer, Flat	059308000	194	53
Washer, Flat	059310000	22	57

*1 Note

ALPHABETICAL INDEX

Parts Name	P/N	Page *1	Item
Washer, Flat	059310000	64	27
Washer, Flat	059310000	66	37
Washer, Flat	059310000	68	27
Washer, Flat	059310000	70	30
Washer, Flat	059310000	98	51
Washer, Flat	059310000	108	19
Washer, Flat	059310000	112	18
Washer, Flat	059310000	116	13
Washer, Flat	059310000	116	29
Washer, Flat	059310000	168	20
Washer, Flat	059310000	180	28
Washer, Flat	059310000	198	17
Washer, Flat	059310000	198	27
Washer, Flat	059310000	204	21
Washer, Flat	059312000	22	37
Washer, Flat	059312000	204	25
Washer, Flat	059314000	60	23
Washer, Flat	059316000	158	3
Washer, Flat	059406000	92	6
Washer, Flat	059406000	168	23
Washer, Flat	059408000	92	38
Washer, Treatment	059510000	16	6
Washer, Treatment	059510000	98	52
Washer, Treatment	059510000	106	10
Washer, Treatment	059510000	188	24
Washer, Treatment	059512000	2	27
Washer, Treatment	059512000	8	23
Washer, Treatment	059512000	16	16
Washer, Treatment	059512000	98	53
Washer, Treatment	059514000	98	54
Washer, Treatment	059516000	2	16
Washer, Treatment	059516000	18	3
Washer, Treatment	059516000	20	3
Washer, Treatment	059516000	106	13
Washer, Treatment	059516000	126	12
Washer, Treatment	059516000	184	12
Washer, Treatment	059516000	186	4
Washer, Treatment	059516000	198	3
Washer, Treatment	059520000	2	19
Washer, Treatment	059520000	126	17
Washer, Treatment	059524000	126	3
Washer, Lock	059606000	92	7
Washer, Lock	059606000	168	24
Washer, Lock	059608000	92	39
Pin, Cotter	059901015	112	96
Pin, Cotter	059906070	180	58
Pin, Cotter	059906070	180	1
Bearing, Swing	0605421UA	18	5
Ball	060901010	46	61
Ball, Steel	060901610	88	3
Ball, Steel	060902410	42	26
Bushing	061811615	92	16

*1 Note

ALPHABETICAL INDEX

Parts Name	P/N	Page *1	Item
Bushing	061812020	92	15
Bushing	061814525	72	15
Bushing	061815030	68	15
Bushing	061816030	70	7
Bushing	061816530	66	7
Bushing	061817530	64	7
Bearing	063062060	14	4
Bearing, Ball	063062060	42	53
Bearing	063063020	46	9
Bearing	063063054	46	35
Bearing	063302110	46	101
Bearing	063302120	46	104
Adapter, Tooth	065020701	186	2
Tooth	065020702	186	9
Pin, Lock	065020703	186	8
Pin, Rubber	065020704	186	7
Coupling Ass'y	0651477UA	106	1
Roller	065191201	14	1
Shaft, Roller	065191202	14	2
Seal	065191203	14	3
Cover	065191206	14	6
Spacer	065191207	14	7
Plug	065191208	14	8
Roller Ass'y, Upper	0651912UA	2	14
Roller Ass'y, Upper	0651912UA	14	0
Stay, Dumper	0652253UA	92	18
Shoe, Rubber Crawler	0653920UA	2	1
Link, Track (R.H.)	065392401	4	11
Link, Track (R.H.)	065392401	6	10
Link, Track (L.H.)	065392402	4	10
Link, Track (L.H.)	065392402	6	11
Link, Master (R.H.)	065392403	4	4
Link, Master (R.H.)	065392403	6	4
Link, Master (L.H.)	065392404	4	1
Link, Master (L.H.)	065392404	6	1
Bushing, Track	065392405	4	3
Bushing, Track	065392405	6	3
Bushing, Master	065392407	4	7
Bushing, Master	065392407	6	7
Pin, Master	065392408	4	9
Pin, Master	065392408	6	9
Collar	065392409	6	6
Collar, Master	065392409	4	6
Pin, Lock	065392410	4	8
Pin, Lock	065392410	6	8
Seal	065392411	4	2
Seal	065392411	6	2
Nut, Shoe	065392412	4	12
Nut, Shoe	065392412	6	12
Plate, Shoe	065392413	4	13
Bolt, Shoe	065392414	4	14
Link Ass'y	065392499	4	0-1

*1 Note

ALPHABETICAL INDEX

Parts Name	P/N	Page *1	Item
Link Ass'y	065392499	6	0-1
Shoe Ass'y, Crawler	0653924UA	4	0
Shoe Ass'y, Crawler (Steel)	0653924UA	2	1-1
Plate, Shoe	0653933UA	6	13
Pin, Track	065394606	4	5
Pin, Track	065394606	6	5
Collar, Roller	065398403	12	3
Bushing	065398405	12	5
Pin	065398406	12	6
Roller	065399301	12	1
Shaft	065399302	12	2
Collar Roller	065399304	12	4
Roller Ass'y, Lower	0653993UA	2	22
Roller Ass'y, Lower	0653993UA	12	0
Seat, Operator	0655554UA	124	1
Seat, Operator	0655555UA	124	1-1
Adjuster, Slide	0655558UA	124	2
Seat, Operator (W/O Seat Belt)	0655562UA	124	1-2
Radiator	066820091	98	21
Radiator Ass'y	0668200UA	98	20
Cap	066821402	98	22
Cooler Ass'y, Oil	066852438	98	23
Nipple, Pipe	066852454	22	13
Joint, Pipe	066852455	22	12
Guard, Fan	066857013	98	28
Element (Inner)	067611091	102	33-3
Engine Ass'y	0676190UA	98	30
Engine Ass'y	0676230UA	98	30
Clamp, Hose	069007412	98	44
Clamp, Hose	069007414	98	45
Clamp, Hose	069007420	176	3
Clamp	069007448	98	36
Clamp, Hose	069007812	22	27
Clamp, Hose	069007812	102	14
Clamp, Hose	069007814	102	15
Clamp, Hose	069008162	108	17
Clamp	069008201	168	26
Band, Cable	069008208	92	30
Clamp, Hose	069008208	92	43
Clamp, Hose	069008208	168	28
Clamp	069008914	102	17
Cap	069020098	18	8
Plug, Hole	069020105	112	60
Plug, Hole	069020108	112	68-1
Plug, Hole	069020108	184	14
Plug, Hole	069020108	198	21
Plug	069020109	2	5
Plug, Hole	069020109	112	84
Plug, Hole	069020111	112	83
Plug, Hole	069020111	126	7
Plug, Hole	069020111	184	23

*1 Note

ALPHABETICAL INDEX

Parts Name	P/N	Page *1	Item
Plug, Hole	069020113	126	5
Magnet	069020178	30	93
Magnet	069020178	38	94
Stopper	069020250	92	27
Cap	069020256	112	32
Cap	069020256	116	6
Cap	069020259	112	80
Cap	069020259	116	26
Cap	069020259	198	20
Cap	069020259	198	24
Spring	069020261	112	8
Cap	069020297	126	10
Cap	069020297	198	9
Cap	069020301	126	15
Throttle, Dial	069021105	172	30
Lock Ass'y	069022026	112	59
Lock Ass'y	069022037	112	22
Cover, Lock	069022060	112	24
Lock Ass'y	069022074	112	37
Lock Ass'y	069022091	112	22
Lock Ass'y	069022092	112	59
Lock Ass'y	069022094	112	89
Lock Ass'y	069027052	112	88
Grip	069028372	90	6
Grip	069028381	96	3
Grip	069028382	92	41
Grip	069028385	92	31
Grip	069028385	92	41-1
Grip	069028386	92	1
Elbow, Reducer	071010095	28	20
Elbow, Reducer	071010096	28	21
Elbow	071010202	194	66
Connector	071010627	180	51
Connector	071010627	184	2
Elbow	071010727	180	53
Elbow	071010727	184	4
Elbow	071011322	28	19
Elbow, Reducer	071011332	30	58
Elbow, Reducer	071011332	34	64
Elbow, Reducer	071011332	38	63
Elbow	071011334	192	11
Elbow	071011344	26	10
Elbow	071011344	188	30
Elbow	071011344	192	8
Elbow	071011344	194	7
Elbow, 45	071011433	192	14
Elbow, 45 Reducer	071011434	192	13
Elbow, 45	071011444	26	9
Elbow, 45 Reducer	071011446	16	2
Elbow, Reducer	071011710	28	23
Elbow	071011802	30	85
Elbow	071011802	34	84

*1 Note

ALPHABETICAL INDEX

Parts Name	P/N	Page *1	Item
Elbow	071011802	38	85
Elbow	071011802	194	63
Elbow	071011808	22	52
Elbow, Reducer	071012004	194	60
Elbow, 45	071012100	28	13
Elbow, 45	071012100	30	78
Elbow, 45	071012100	34	48
Elbow, 45	071012100	38	47
Elbow, 45	071012100	90	20
Elbow, 45	071012100	96	10
Elbow, 45	071012100	194	40
Elbow	071012200	28	28
Elbow	071012200	30	83
Elbow	071012200	30	9
Elbow	071012200	34	82
Elbow	071012200	34	47
Elbow	071012200	34	9
Elbow	071012200	38	83
Elbow	071012200	38	9
Elbow	071012200	194	49
Elbow	071012202	22	43
Elbow	071012202	192	15
Elbow, 45	071012407	176	11
Plug	071020010	66	29
Plug	071020010	68	28
Plug	071020010	70	38
Plug, Socket Head	071020010	50	12
Plug, Socket Head	071020014	50	11
Plug	071020101	10	7
Plug	071020101	12	9
Plug	071020104	80	7
Plug	071020706	22	46
Plug	071021204	53	79
Plug	071021204	90	27
Elbow	071031050	96	25
Bush, Reducer	071040024	202	4
Socket	071050303	176	12
Socket	071050304	194	42
Socket	071050306	194	6
Nipple	071060004	16	21
Nipple	071060102	16	11
Tee	071070102	16	12
Tee	071070102	22	45
Tee	071070102	30	54
Tee	071070102	30	17
Tee	071070102	34	60
Tee	071070102	34	17
Tee	071070102	38	59
Tee	071070102	38	17
Tee	071070103	16	23
Tee	071070802	194	64
Tee	071070803	22	5

*1 Note

ALPHABETICAL INDEX

Parts Name	P/N	Page *1	Item
Tee	071070902	30	11
Tee	071070902	34	11
Tee	071070902	38	11
Tee	071071304	90	26
Tee	071071304	96	30
Tee	071071309	30	3
Tee	071071309	34	3
Tee	071071309	38	3
Cross	071080102	30	86
Cross	071080102	34	85
Cross	071080102	38	86
Cross	071080105	22	50
Adapter	071140303	16	20
Adapter	071231015	22	9
Adapter	071231015	98	24
Adapter	071231030	22	49
Adapter	071231030	30	15
Adapter	071231030	34	15
Adapter	071231030	38	15
Adapter	071231030	194	62
Adapter	071231031	16	22
Adapter	071231031	22	6
Adapter	071231031	28	1
Adapter	071231032	28	22
Adapter	071231032	188	12
Adapter	071231033	22	51
Elbow, 45	071231040	16	8
Elbow, 45	071231040	30	81
Elbow, 45	071231040	30	56
Elbow, 45	071231040	34	62
Elbow, 45	071231040	38	61
Elbow, 45	071231040	194	56
Elbow, 45	071231041	16	24
Elbow, 45	071231042	194	11
Elbow, 45	071231043	22	40
Elbow, 45	071231043	28	25
Elbow, 45	071231043	194	10
Elbow	071231045	22	8
Elbow	071231050	22	4
Elbow	071231050	28	29
Elbow	071231050	30	87
Elbow	071231050	30	57
Elbow	071231050	30	16
Elbow	071231050	34	16
Elbow	071231050	38	62
Elbow	071231050	38	87
Elbow	071231050	38	16
Elbow	071231050	90	23
Elbow	071231050	194	24
Elbow	071231051	192	10
Elbow	071231053	28	27
Elbow	071231053	194	46

*1 Note

ALPHABETICAL INDEX

Parts Name	P/N	Page *1	Item
Elbow	071231055	22	11
Elbow	071231055	98	25
Adapter, Reducer	071231137	28	14
Elbow, Reducer	071231151	30	88
Elbow, Reducer	071231151	34	87
Elbow, Reducer	071231151	38	88
Elbow, Reducer	071231250	34	63
Elbow, Reducer	071231250	96	26
Elbow, Long	071231803	90	30
Elbow	071231813	22	55
Elbow, Reducer	071232015	22	44
Elbow, Reducer	071232016	22	29
Elbow	071232501	30	60
Elbow	071232501	34	66
Elbow	071232501	38	65
Adapter	071232601	38	46
Sleeve	071310002	180	51-1
Sleeve	071310002	180	53-1
Sleeve	071310002	184	4-1
Sleeve	071310002	184	2-1
Joint, Pipe	071330031	22	24
Spacer	071344006	50	8
Cover	071344009	50	6
Joint Ass'y, Rotary	0713440UA	16	4
Joint Ass'y, Rotary	0713440UA	50	0
Adapter	071370002	30	14
Adapter	071370002	34	14
Adapter	071370002	38	14
Adapter	071370002	90	29
Adapter	071370002	96	17
Adapter	071370003	16	26
Adapter	071370003	22	42
Adapter	071370004	26	8
Adapter	071370004	188	32
Adapter	071370004	194	8
Adapter	071370070	16	25
Adapter	071370070	30	2
Adapter	071370070	34	45
Adapter	071370070	34	2
Adapter	071370070	38	2
Adapter	071370070	90	19
Adapter	071370070	96	24
Adapter	071370070	194	41
Connector, Reducer	071370093	30	89
Connector, Reducer	071370093	34	74
Connector, Reducer	071370093	38	89
Adapter	071370095	16	14
Adapter	071370402	30	79
Adapter	071370402	34	49
Adapter	071370504	194	59
Elbow	0719804UA	30	84
Elbow	0719804UA	34	83

*1 Note

ALPHABETICAL INDEX

Parts Name	P/N	Page *1	Item
Elbow	0719804UA	38	84
Elbow	0719804UA	194	55
Elbow	0719804UA	202	3
Elbow	0719805UA	16	10
Elbow, Long	0719805UA	30	10
Elbow, Long	0719805UA	34	10
Elbow, Long	0719805UA	38	10
Valve, Stop	072410708	108	6
Nipple, Grease	072811115	18	9
Nipple, Grease	072811115	64	31
Nipple, Grease	072811115	64	3
Nipple, Grease	072811115	68	3
Nipple, Grease	072811115	68	32
Nipple, Grease	072811115	70	3
Nipple, Grease	072811115	70	34
Nipple, Grease	072811115	72	26
Nipple, Grease	072811115	72	3
Nipple, Grease	072811115	180	23
Nipple, Grease	072811115	184	25
Nipple, Grease	072811165	66	35
Nipple, Grease	072811165	66	3
Nipple, Grease	072811165	190	12
Strainer	072991017	108	3
Valve	072991035	176	4
Cap	072991044	108	2
Case, Seal	075002303	60	38
Bearing	075002304	60	4
Seal, Oil	075002305	60	2
Cover	075002306	60	63
Piece, Distance	075002307	60	65
Bearing	075002308	60	52
Plate, Control	075002313	60	35
Bearing	075002314	60	33
Packing	075002315	60	32
Orifice	075002316	60	83
Seat, Spring	075002317	60	5
Cover	075002319	60	15
Screw, Adjust	075002320	60	17
Spring	075002321	60	8
Spring	075002322	60	6
Shim	075002323	60	12
Shim	075002324	60	12-1
Shim	075002325	60	12-2
Orifice	075002328	60	47
Spring, Conical	075002329	60	44
Spring	075002330	60	43
Breather, Air	075005003	60	54
Filter	075005015	60	60
Valve Ass'y	075005094	60	75
Plug	075008323	46	68
Plug	075008357	46	69
Plug	075019815	88	16

*1 Note

ALPHABETICAL INDEX

Parts Name	P/N	Page *1	Item
Seal, Shaft	075029323	60	21
Plug	075029524	86	3
Pin	075084411	46	79
Needle	075084418	46	77
Pin	075084426	46	98
Ring, O	075103927	60	26
Pin, Dowel	075103935	60	22
Element, Filter	075104603	60	81
Ball, Steel	075194806	88	14
Bushing	075231602	68	2
Valve Ass'y, Check	0753016UA	194	61
Valve, Check	0753047UA	22	14
Ring, O	075310109	53	42
Valve, Check	0753265UA	8	5
Plug	075356938	42	64
Plug	075357119	60	67
Plug	075357131	60	68
Retainer, Spring	075360760	42	68
Valve, Check	075362048	46	46
Guide, Spring	075362049	46	43
Spring	075362052	46	45
Ring	075362055	46	42
Spring	075363653	46	41
Spring	075365755	46	5
Valve, Check	075370163	46	6
Plug	075370166	46	3
Plug	075374056	46	39
Washer	075377709	42	42
Ring, Snap	075377714	42	52
Ring	075377739	42	30
Collar, Thrust	075378509	46	95
Plug	075378802	42	66
Plug	075378802	42	24
Plug	075378912	42	76
Spring	075390411	53	33
Plug	075412413	74	14
Plug	075412413	76	14
Plug	075430910	84	2
Tee	075461503	30	18-1
Tee	075461503	34	18-1
Tee	075461503	38	18-1
Valve Ass'y, Shuttle	0754615UA	30	18
Valve Ass'y, Shuttle	0754615UA	34	18
Valve Ass'y, Shuttle	0754615UA	38	18
Kit, Seal	075480191	80	0-1
Manifold	0754803UA	194	4
Manifold Ass'y	0754803UA	80	0
Cock	0754805UA	194	13
Seal, Dust	075581219	50	4
Plug	075584509	50	14
Seal, Oil	075584905	50	2
Kit, Seal	075584991	50	0-1

*1 Note

ALPHABETICAL INDEX

Parts Name	P/N	Page *1	Item
Shim	075606511	82	17-1
Spool	075606512	82	19
Holder, Spring	075606513	82	14
Body	075609401	78	8
Rotor	075609402	78	5
Lever	075609403	78	4
Bolt, Wing	075609404	78	1
Ring, 0	075609405	78	10
Ring, 0	075609406	78	9
Ring, 0	075609407	78	7
Ring, 0	075609408	78	6
Valve Ass'y, Multiple	0756094UA	38	19
Valve Ass'y, Selector	0756094UA	78	0
Accumulator Ass'y	0756215UA	194	58
Joint	075630307	56	10
Cover	075632603	82	12
Pusher	075632604	82	7
Shim	075632606	82	17
Cam	075632607	82	9
Pin	075632608	82	6
Spring	075632609	82	18
Boot	075632610	82	4
Shim	075632611	82	11
Shim	075632612	82	11-1
Spring	075632613	82	15
Washer, Flat	075632619	82	16
Washer, Flat	075632620	82	3
Pin, Spring	075632622	82	1
Ball, Steel	075632623	82	2
Ring, 0	075632625	82	13
Seat, Spring	075633905	53	15
Ring, 0	075633908	53	18
Poppet	075633920	53	32
Spring	075633925	53	54
Plug Ass'y	075633980	53	37
Plug Ass'y	075633981	53	66
Plug	075635703	88	15
Seal	075661113	56	12
Plug Ass'y	075672026	60	70
Plug Ass'y	075672033	60	74
Plug	075673509	56	2
Washer	075673515	56	7
Rod, Push	075674411	56	11
Ring, 0	075678010	60	51
Roller, Needle	075678115	76	15
Plug	075679145	60	45
Seal, Oil	075686309	74	10
Seal, Oil	075686309	76	10
Plug	075692550	84	7
Plug	075693914	86	1
Plate, Friction	075750415	42	47
Plate	075750416	42	48

*1 Note

ALPHABETICAL INDEX

Parts Name	P/N	Page *1	Item
Retainer	075756013	46	15
Filter	075761820	46	36
Gear	075762205	46	99
Gear	075762206	46	88
Gear	075762208	46	83
Pin	075762210	46	90
Ring	075762212	46	105
Collar	075762213	46	100
Washer, Thrust	075762215	46	86
Shaft	075762218	46	34
Needle	075762220	46	87
Piston	075762221	46	21
Shoe	075762222	46	22
Holder, Shoe	075762223	46	20
Holder, Barel	075762224	46	19
Pin	075762226	46	18
Spring	075762227	46	16
Valve Ass'y, By-pass	075764192	46	38
Shaft, Pinion	075767402	46	106
Pin	075767410	46	31
Body	075767423	46	50
Spool	075767424	46	47
Choke	075767425	46	49
Pin, Dowel	075767509	42	57
Pin, Dowel	075767509	42	27
Pivot	075767514	42	56
Body	075774501	46	103
Carrier	075774502	46	92
Washer, Thrust	075774503	46	89
Washer, Thrust	075774504	46	76
Ring	075774505	46	96
Casing	075774506	46	37
Barel, Cylinder	075774507	46	17
Piston	075774509	46	25
Spring	075774510	46	10
Spacer	075774513	46	30
Valve Ass'y, Timer	075774593	46	59
Carrier Ass'y	075774595	46	84
Plate, Disk	075779602	46	29
Plate, Steel	075779603	46	28
Strainer, Suction	0759106UA	58	11
Cartridge Ass'y	075911603	58	5-1
Filter, Return	0759116UA	58	5
Ring, O (017-70B)	076021017	60	80
Ring, O (151-70B)	076021151	60	3
Ring, O (259-70B)	076021259	42	29
Ring, O(266-70B)	076021266	46	93
Ring, O	076031014	86	6
Ring, O	076031020	88	8
Ring, O	076031025	88	9
Ring, O	076031211	58	6
Ring, O	076031232	22	33

*1 Note

ALPHABETICAL INDEX

Parts Name	P/N	Page *1	Item
Ring, 0	076031910	53	71
Ring, 0	076031910	53	74
Ring, 0	076031910	53	76
Ring, 0	076031910	53	78
Ring, 0	076031910	53	63
Ring, 0	076031910	53	65
Ring, 0(P8-70B)	076061008	82	8
Ring, 0 (P9-70B)	076061009	53	46
Ring, 0(P10-70B)	076061010	46	44
Ring, 0 (P10A-70B)	076061011	53	72
Ring, 0 (P10A-70B)	076061011	53	44
Ring, 0 (P12.5-70B)	076061015	53	56
Ring, 0	076061018	60	79
Ring, 0	076061040	58	4
Ring, 0 (P44-70B)	076061045	60	14
Ring, 0	076061560	14	9
Ring, 0 (G70-70B)	076061570	53	23
Ring, 0 (G75-70B)	076061575	60	62
Ring, 0 (G105-70B)	076061605	60	29
Ring, 0 (G230-70B)	076061730	42	22
Ring, 0	076071005	60	27
Ring, 0	076071007	42	28
Ring, 0	076071007	46	65
Ring, 0	076071007	53	52
Ring, 0	076071008	53	35-1
Ring, 0	076071008	88	10
Ring, 0	076071009	46	48
Ring, 0	076071011	42	60
Ring, 0	076071012	16	9
Ring, 0	076071012	22	54
Ring, 0	076071012	28	12
Ring, 0	076071012	30	4
Ring, 0	076071012	30	18-2
Ring, 0	076071012	34	18-2
Ring, 0	076071012	34	4
Ring, 0	076071012	38	4
Ring, 0	076071012	38	18-2
Ring, 0	076071012	46	63
Ring, 0	076071012	46	4
Ring, 0	076071012	53	80
Ring, 0	076071012	84	1
Ring, 0	076071012	88	18
Ring, 0	076071012	90	21
Ring, 0	076071012	96	9
Ring, 0	076071012	194	45
Ring, 0	076071012	194	51
Ring, 0	076071012	202	6
Ring, 0	076071016	16	19
Ring, 0	076071016	22	41
Ring, 0	076071016	30	62
Ring, 0	076071016	34	68
Ring, 0	076071016	38	67

*1 Note

ALPHABETICAL INDEX

Parts Name	P/N	Page *1	Item
Ring, 0	076071016	42	77
Ring, 0	076071016	42	23
Ring, 0	076071016	46	56
Ring, 0	076071016	50	13
Ring, 0	076071016	53	30-1
Ring, 0	076071016	60	79
Ring, 0	076071016	84	6
Ring, 0	076071016	86	2
Ring, 0	076071016	192	12
Ring, 0	076071018	60	42
Ring, 0	076071019	16	3
Ring, 0	076071019	22	38
Ring, 0	076071019	26	7
Ring, 0	076071019	28	17
Ring, 0	076071019	42	73
Ring, 0	076071019	46	40
Ring, 0	076071019	46	53
Ring, 0	076071019	53	67
Ring, 0	076071019	53	69
Ring, 0	076071019	188	29
Ring, 0	076071019	192	9
Ring, 0	076071019	194	9
Ring, 0	076071020	42	62
Ring, 0	076071020	56	3
Ring, 0	076071020	60	41
Ring, 0	076071022	46	57
Ring, 0	076071022	74	11
Ring, 0	076071022	76	11
Ring, 0	076071023	106	7
Ring, 0	076071024	22	48
Ring, 0	076071024	28	24
Ring, 0	076071025	80	3
Ring, 0	076071028	42	72
Ring, 0	076071029	46	54
Ring, 0	076071030	60	46
Ring, 0	076071032	80	2
Ring, 0	076071045	58	4
Ring, 0	076071050	8	3
Ring, 0	076071080	50	3
Ring, 0	076071115	58	5-2
Ring, 0	076071130	58	12
Ring, 0	076071530	80	5
Ring, 0	076071535	12	8
Ring, 0	076071535	72	22
Ring, 0	076071540	68	24
Ring, 0	076071545	10	4
Ring, 0	076071545	70	24
Ring, 0	076071585	68	10
Ring, 0	076071585	72	10
Ring, 0	076071590	60	25
Ring, 0	076071590	68	8
Ring, 0	076071590	72	8

*1 Note

ALPHABETICAL INDEX

Parts Name	P/N	Page *1	Item
Ring, O	076071600	50	1
Ring, O	076071600	66	14
Ring, O	076071605	66	12
Ring, O	076071605	70	13
Ring, O	076071610	70	11
Ring, O	076071615	46	26
Ring, O	076071620	64	13
Ring, O	076071625	46	24
Ring, O	076071625	64	11
Ring, O	076071635	46	11
Seal, Oil	076112221	46	102
Cap	076172120	106	6
Ring, Back-up	076212009	53	47
Ring, Back-up	076212011	42	61
Ring, Back-up	076212011	53	43
Ring, Back-up	076212015	53	57
Ring, Back-up	076212016	46	55
Ring, Back-up	076212025	80	4
Ring, Back-up	076212032	80	1
Ring, Back-up	076212050	8	2
Ring, Back-up	076212625	46	23
Ring, Back-up	076213615	46	27
Seal, Floating	076301460	12	7
Seal, Floating	076301467	10	3
Ring, U	076402365	66	15
Ring, U	076410906	64	14
Seal, Dust	076503322	180	17
Seal, Dust	076503328	180	55
Seal, Dust	076503328	190	10
Seal, Dust	076503335	184	9
Seal, Dust	076503336	180	9
Hose, Radiator	077555145	98	38
Hose, Radiator	077555152	98	39
Tube, Synflex	077900088	180	52
Tube, Synflex	077900088	184	3
Hose	077900297	98	41
Hose, Air Cleaner	077900462	102	12
Hose, Air Cleaner	077900463	102	11
Housing	078002101	60	53
Plug Ass'y	078002102	60	72
Shaft	078002103	60	1
Hanger	078002104	60	66
Cover	078002105	60	55
Sleeve	078002106	60	28
Cylinder	078002108	60	48
Piston	078002109	60	39
Pin, Dowel	078002110	60	49
Gear	078002111	60	11
Case	078002112	60	18
Plate	078002113	60	31
Bolt, Socket Head	078002114	60	56
Plate	078002115	60	10

*1 Note

ALPHABETICAL INDEX

Parts Name	P/N	Page *1	Item
Pump Ass'y, Gear	078002191	60	20
Key	078002202	60	59
Ring, O	078002207	60	30
Plug Ass'y	078002210	60	84
Valve Ass'y, Relief	078002292	60	50
Seat, Spring	078005501	60	13
Rotary Ass'y	078005591	60	7
Pump Ass'y, Oil	0780055UA	60	0
Pump Ass'y, Oil	0780055UA	106	12
Solenoid Ass'y	078007318	60	78
Solenoid Ass'y	078007319	60	82
Valve Ass'y	078007393	60	75
Carrier	078114001	46	82
Gear	078114002	46	78
Gear	078114003	46	94
Plate, Valve	078114004	46	13
Plate, Swash	078114005	46	32
Casing	078114006	46	7
Motor Ass'y	078114091	46	0-1
Gear Ass'y, Reduction	078114092	46	72
Pinion Ass'y	078114094	46	97
Carrier Ass'y	078114095	46	74
Body Ass'y	078114096	46	2
Barrel Ass'y	078114097	46	12
Plug	078114413	42	65
Plug	078114431	42	21
Body	078114601	46	64
Spring	078114603	46	67
Spring	078114604	46	70
Holder	078114605	46	71
Plug	078114606	46	66
Plug	078114607	46	62
Screw, Set	078114608	46	60
Spring	078114925	42	45
Valve	078114946	42	69
Spring	078114947	42	71
Motor Ass'y, Travel	0781149UA	2	17
Valve Ass'y, Relief	078116692	46	52
Motor Ass'y, Swing	0781166UA	20	1
Swing Motor Ass'y	0781166UA	46	0
Kit, Floating Seal	078130101	42	2
Spindle	078130103	42	4
Gear, Sun (2)	078130107	42	8
Gear, Planetary (2)	078130108	42	9
Collar, Thrust	078130109	42	10
Washer, Thrust (1)	078130110	42	11
Washer, Thrust (2)	078130111	42	12
Washer, Thrust (3)	078130112	42	13
Cover	078130113	42	14
Bearing, Ball	078130114	42	15
Nut, Ring	078130115	42	16
Bearing, Roller	078130116	42	17

*1 Note

ALPHABETICAL INDEX

Parts Name	P/N	Page *1	Item
Bearing, Roller	078130117	42	18
Ring	078130118	42	19
Ring	078130119	42	20
Kit, Piston	078130120	42	35
Piston, Ass'y	078130121	42	36
Shaft	078130122	42	37
Plate, Retainer	078130124	42	39
Bowl, Thrust	078130125	42	40
Plate, Timing	078130126	42	41
Washer	078130127	42	43
Piston	078130128	42	44
Spring	078130129	42	46
Seal, Oil	078130130	42	49
Ring, O	078130131	42	50
Ring, O	078130132	42	51
Bearing, Ball	078130133	42	54
Needle	078130134	42	55
Spring	078130135	42	58
Plug	078130136	42	67
Spring	078130137	42	70
Spool	078130138	42	74
Spring	078130139	42	75
Valve Ass'y, Relief	078130392	42	59
Flange Ass'y, Rear	078130395	42	63
Hub	078134501	42	3
Carrier	078134502	42	5
Gear, Sun (1)	078134503	42	6
Gear, Planetary (1)	078134504	42	7
Plate, Swash	078134505	42	38
Motor Ass'y, Hydraulic	078134591	42	34
Gear Ass'y, Reduction	078134592	42	1
Motor Ass'y, Travel	0781345UA	2	17
Motor Ass'y, Travel	0781345UA	42	0
Head, Cylinder	078231205	70	5
Bushing	078231206	70	7
Ring, U	078231207	70	14
Ring, Back-up	078231208	70	15
Ring, Wiper	078231209	70	10
Ring, Back-up	078231212	70	12
Washer	078231214	70	6
Bearing, Cushion	078231215	70	17
Piston	078231216	70	22
Ring Ass'y, Seal	078231217	70	20
Ring, Slide	078231218	70	21
Ring, Wiper	078231219	70	19
Ring, Back-up	078231221	70	23
Nut	078231222	70	25
Valve, Check	078231226	70	35
Pipe Ass'y	078231230	70	31
Pipe Ass'y	078231231	70	28
Tube Ass'y, Cylinder	078231291	70	32
Rod Ass'y, Piston	078231292	70	1

*1 Note

ALPHABETICAL INDEX

Parts Name	P/N	Page *1	Item
Kit, Seal	078231293	70	8
Piston Ass'y	078231294	70	18
Cylinder Ass'y, Boom Swing	0782312UA	70	0
Cylinder Ass'y, Boom Swing	0782312UA	184	10
Bushing	078231302	64	30
Bushing	078231302	64	2
Head, Cylinder	078231305	64	5
Bushing	078231306	64	7
Ring, Buffer	078231308	64	15
Ring, Wiper	078231310	64	10
Ring, Back-up	078231312	64	12
Washer	078231314	64	6
Bearing, Cushion	078231315	64	17
Piston	078231316	64	22
Ring Ass'y, Seal	078231317	64	21
Ring, Slide	078231318	64	20
Ring, Wiper	078231319	64	19
Ring, O	078231320	64	24
Ring, Back-up	078231321	64	23
Nut	078231322	64	25
Pipe Ass'y	078231324	64	32
Pipe Ass'y	078231325	64	28
Seal, Dust	078231328	64	4
Tube Ass'y, Cylinder	078231391	64	29
Rod Ass'y, Piston	078231392	64	1
Kit, Seal	078231393	64	9
Piston Ass'y	078231394	64	18
Cylinder Ass'y, Boom	0782313UA	64	0
Cylinder Ass'y, Boom	0782313UA	180	34
Bushing	078231406	72	15
Tube Ass'y, Cylinder (L.H.)	078231491	72	24-1
Cylinder Ass'y, Blade (L.H.)	0782314UA	72	0-1
Cylinder Ass'y, Blade (L.H.)	0782314UA	190	6
Bushing	078231502	72	25
Bushing	078231502	72	2
Head, Cylinder	078231505	72	13
Ring, U	078231507	72	12
Ring, Back-up	078231508	72	11
Ring, Wiper	078231509	72	7
Piston	078231515	72	20
Ring Ass'y, Seal	078231516	72	18
Ring, Slide	078231517	72	19
Ring, Back-up	078231519	72	21
Nut	078231520	72	23
Pipe Ass'y	078231522	72	27
Holder, Pipe	078231523	72	28
Ring, Wiper	078231526	72	4
Tube Ass'y, Cylinder (R.H.)	078231591	72	24
Rod Ass'y, Piston	078231592	72	1
Kit, Seal	078231593	72	5

*1 Note

ALPHABETICAL INDEX

Parts Name	P/N	Page *1	Item
Piston Ass'y	078231594	72	17
Cylinder Ass'y, Blade (R.H.)	0782315UA	72	0
Cylinder Ass'y, Blade (R.H.)	0782315UA	190	3
Bushing	078231602	68	2
Bushing	078231602	68	31
Head, Cylinder	078231605	68	13
Bushing	078231606	68	15
Ring, Buffer	078231608	68	12
Ring, U	078231609	68	11
Ring, Wiper	078231610	68	7
Ring, Back-up	078231613	68	9
Ring, Back-up	078231613	72	9
Washer	078231615	68	14
Washer	078231615	72	14
Piston	078231616	68	22
Ring Ass'y, Seal	078231617	68	21
Ring, Slide	078231618	68	20
Ring, Wiper	078231619	68	19
Ring, Back-up	078231621	68	23
Nut	078231622	68	25
Pipe Ass'y	078231624	68	29
Pipe Ass'y	078231625	68	33
Seal, Dust	078231629	68	4
Tube Ass'y, Cylinder	078231691	68	30
Rod Ass'y, Piston	078231692	68	1
Kit, Seal	078231693	68	5
Piston Ass'y	078231694	68	18
Cylinder Ass'y, Bucket	0782316UA	68	0
Cylinder Ass'y, Bucket	0782316UA	180	20
Bushing	078231702	66	34
Bushing	078231702	66	2
Bushing	078231702	70	2
Bushing	078231702	70	33
Head, Cylinder	078231705	66	5
Bushing	078231706	66	7
Ring, Buffer	078231708	66	16
Ring, Wiper	078231710	66	11
Ring, Back-up	078231713	66	13
Washer	078231715	66	6
Bearing, Cushion	078231716	66	17
Piston	078231717	66	23
Ring Ass'y, Seal	078231718	66	22
Ring, Slide	078231719	66	21
Ring, Wiper	078231720	66	20
Ring, O	078231721	66	25
Ring, Back-up	078231722	66	24
Nut	078231723	66	26
Bearing, Cushion	078231725	66	28
Seal, Cushion	078231725	70	27
Stopper	078231726	66	27

*1 Note

ALPHABETICAL INDEX

Parts Name	P/N	Page *1	Item
Stopper	078231726	70	26
Valve, Check	078231727	66	32
Spring	078231728	66	31
Spring	078231728	70	36
Support, Spring	078231729	66	30
Support, Spring	078231729	70	37
Pipe Ass'y	078231731	66	38
Seal, Dust	078231735	66	4
Seal, Dust	078231735	70	4
Tube Ass'y, Cylinder	078231791	66	33
Rod Ass'y, Piston	078231792	66	1
Kit, Seal	078231793	66	9
Piston Ass'y	078231794	66	19
Cylinder Ass'y, Arm	0782317UA	66	0
Cylinder Ass'y, Arm	0782317UA	180	5
Nut	078241722	64	25-1
Pipe Ass'y	078241725	64	28-1
Tube Ass'y, Cylinder	078241791	64	29-1
Cylinder Ass'y, Boom	0782417UA	64	0-1
Cylinder Ass'y, Boom (For Ital Cab)	0782417UA	180	34-1
Cover	078363704	74	7
Cover	078363704	76	7
Lever	078363705	74	3
Lever	078363705	76	3
Cover	078363706	74	6
Roller, Needle	078363716	74	15
Ring, O	078363719	74	12
Ring, O	078363719	76	12
Ring, O	078363720	74	13
Ring, O	078363720	76	13
Kit, Seal	078363791	74	9
Kit, Seal	078363791	76	9
Valve Ass'y, Multiple	0783637UA	30	76
Valve Ass'y, Multiple (A-D Change)	0783637UA	74	0
Cover	078364006	76	6
Bolt, Socket Head	078364009	74	1
Bolt, Socket Head	078364009	76	1
Valve Ass'y, Multiple (For A, B, G Change)	0783640UA	76	0
Valve Ass'y, Multiple (For A, B, G)	0783640UA	30	76-1
Plug Ass'y	078364683	53	30
Plug Ass'y	078364684	53	68
Valve Ass'y, Shut-off	078364685	53	70
Spring	078366403	84	8
Spool	078366405	84	5
Spring	078366406	84	3
Retainer	078366409	84	4
Plunger Ass'y	078366418	84	9
Valve Ass'y, Shock-less	0783664UA	30	53

*1 Note

ALPHABETICAL INDEX

Parts Name	P/N	Page *1	Item
Valve Ass'y, Shock-less	0783664UA	34	59
Valve Ass'y, Shock-less	0783664UA	38	58
Valve Ass'y, Shockless	0783664UA	84	0
Cap	078367702	53	14
Seat, Spring	078367703	53	16
Spring	078367704	53	17
Plug	078367705	53	28
Ring, O	078367706	53	21
Cap	078367707	53	24
Spring	078367708	53	25
Poppet	078367709	53	26
Spring	078367710	53	27
Cap	078367718	53	31
Poppet	078367721	53	53
Spacer	078367722	53	55
Poppet	078367723	53	51
Plug	078367724	53	38
Spool	078367726	53	40
Sleeve	078367727	53	45
Spring	078367728	53	41
Spring	078367729	53	50
Seat, Spring	078367730	53	49
Plug Ass'y	078367783	53	35
Seat, Spring	078370008	56	4
Spring (No.2, 4, Ports)	078370010	56	6
Plate	078370012	56	9
Body	078372401	82	20
Valve Ass'y, Pilot	0783724UA	82	0
Valve Ass'y, Pilot	0783724UA	96	1
Body	078374901	53	48
Piston	078374902	53	39
Plate	078375601	56	13
Nut, Adjusting	078377103	56	8
Boot	078377107	56	1
Spring	078382603	56	5
Rod, Tie	078384201	53	60
Plug	078384202	53	20
Valve Ass'y, Anti drift	078384683	53	36
Valve Ass'y, Anti Void	078384688	53	73
Plug	078392006	88	17
Rod, Push	078393601	88	11
Spring	078393602	88	22
Valve Ass'y, Pilot	0783936UA	88	0
Valve Ass'y, Pilot	0783936UA	90	15
Spring (No.1, 3, Ports)	078394101	56	14
Valve Ass'y, Remote Control	0783941UA	30	1
Valve Ass'y, Remote Control	0783941UA	34	1
Valve Ass'y, Remote Control	0783941UA	38	1
Valve Ass'y, Remote Control	0783941UA	56	0
Seat	078395101	88	1
Bushing	078395102	88	2
Cover	078395103	88	4

*1 Note

ALPHABETICAL INDEX

Parts Name	P/N	Page *1	Item
Plug	078395104	88	5
Cap, Grease	078395105	88	6
Packing	078395106	88	7
Shim	078395108	88	12
Seat, Spring	078395109	88	13
Seat, Spring	078395110	88	20
Washer	078395111	88	21
Spring	078395113	88	23
Spring	078395114	88	24
Shaft Cam	078395115	88	25
Bushing	078395116	88	26
Screw, Set	078395117	88	27
Boot	078395118	88	28
Cam Ass'y	078395191	88	29
Poppet	078397401	53	59
Spring	078397402	53	29
Cap	078397403	53	19
Cap	078397404	53	34
Valve Ass'y, Relief	078397483	53	62
Valve Ass'y, Relief	078397484	53	64
Valve Ass'y, Relief	078397485	53	75
Valve Ass'y, Relief	078397486	53	77
Block Ass'y	078397487	53	1
Block Ass'y, Swing	078397488	53	2
Block Ass'y, Boom Swing	078397489	53	3
Block Ass'y, Blade	078397490	53	4
Block Ass'y, Spare	078397491	53	5
Block Ass'y, Arm (1)	078397492	53	6
Block Ass'y, Boom (2)	078397493	53	7
Block Ass'y, Travel (L.H.)	078397494	53	8
Block Ass'y, Inlet	078397495	53	9
Block Ass'y, Travel (R.H.)	078397496	53	10
Block Ass'y, Boom (1)	078397497	53	11
Block Ass'y, Bucket	078397498	53	12
Block Ass'y, Arm (2)	078397499	53	13
Valve Ass'y, Control	0783974UA	22	17
Valve Ass'y, Control	0783974UA	53	0
Valve, Solenoid	078515502	86	4
Ring, O	078515503	86	7
Ring, O	078515504	86	5
Valve Assy, Solenoid	0785155UA	86	0
Valve, Solenoid	0785169UA	194	47
Valve Ass'y, Over Load Relief	0785603UA	53	70-1
Valve Ass'y, Over Load Relief	0785604UA	53	70-2
Valve Ass'y, Over Load Relief	0785605UA	53	70-3
Band, Cable	082006703	92	35-1
Band, Cable	082006703	96	8
Band, Cable	082006703	168	13
Band, Cable	082006703	172	42

*1 Note

ALPHABETICAL INDEX

Parts Name	P/N	Page *1	Item
Band, Cable	082006705	28	4
Band, Cable	082006705	108	39
Band, Cable	082006705	172	17
Band, Cable	082006705	176	8
Band, Cable	082006705	188	7
Band, Cable	082006705	202	7
Band, Cable	082006709	30	50
Band, Cable	082006709	34	56
Band, Cable	082006709	38	55
Band, Cable	082006710	28	6
Band, Cable	082006710	30	69
Band, Cable	082006710	34	75
Band, Cable	082006710	38	74
Band, Cable	082006710	188	20
Sticker	082006904	204	8
Relay	082020702	172	34
Relay	082021507	172	35
Connector	0820513UA	92	42
Connector	0820514UA	92	35
Tube, Corrugate	082080304	108	26
Tube, Corrugate	082080304	108	27
Tube, Corrugate	082080304	108	28
Tube, Corrugate	082080304	108	29
Tube, Corrugate	082080306	176	6
Tube, Corrugate	082080306	176	7
Fuse	083010706	168	1-5
Fuse	083010708	168	1-4
Fuse	083010711	168	1-7
Fuse	083010712	168	1-6
Link, Fusible	083029101	168	1-2
Link, Fusible	083029102	168	1-1
Socket	083040602	172	16
Battery	085100001	168	29
Battery (For Chill Ground)	085100002	168	29-1
Terminal	085211922	168	7
Light	085401021	204	1
Lens	085452301	204	3-3
Bulb	085452306	204	3-1
Nut, Hex.	085452308	204	3-2
Light	0854523UA	204	3
Lens	085452901	168	44-2
Bulb	085452905	168	44-1
Light Ass'y	0854534UA	168	44
Lamp, Pilot	085500482	108	37
Horn, Back	085701148	202	2
Buzzer	085701157	172	45
Heater, Car	085705603	176	1
Sedimenter, Water (W/Sensor)	0857905UA	108	33-1
Gauge, Fuel	085810816	108	4
Switch	085812008	204	18
Switch, Heater	085812011	176	5

*1 Note

ALPHABETICAL INDEX

Parts Name	P/N	Page *1	Item
Box, Fuse	085814001	168	1-3
Switch	085818010	202	5
Harness, Wire	085820037	204	9
Harness, Wire	085820038	204	6
Switch Ass'y, Starter	085830603	172	27
Switch Ass'y, Starter	085830604	172	27-1
Switch	085831409	92	19
Switch	085831411	204	18-1
Plate, Name (Light)	085831412	204	19
Plate, Name (Rotary)	085831413	204	19-1
Switch	085831433	92	44
Switch Ass'y	085831433	172	43
Switch Ass'y	085831433	172	11
Switch, Heater	085831434	176	5
Switch	085831435	92	45
Switch Ass'y	085831435	172	44
Meter, Potention	085861405	172	32
Horn	086100102	168	48
Harness, Wire	087955053	204	10
Harness, Main	087955273	168	1
Harness	087955276	168	2
Monitor, OK	0881507UA	172	18
Controller Ass'y	0893504UA	172	40
Packing	091065003	108	5
Nut, Weld	091091015	112	39
Plug	091091100	188	13
Rubber, Cushion	091093111	98	43
Rubber, Cushion	091093115	98	42
Grommet	091094052	204	12
Grommet	091095003	116	37
Wrench, L	093107024	178	5
Wrench, Adjustable	093110925	178	2
Driver (-)	093130104	178	6
Hammer	093133110	178	4
Gun, Grease	093137010	178	3-1
Gun, Grease	093137011	178	3
Hose, Grease	093137101	178	3-2
Speaker	1284177	160	17
Audio, Car	1284179	160	16
Nameplate, Tops	2020407002	160	58
Plate, Caution	2020407003	164	86
Seal	2030010001	164	87
Hammer, Emergency	3232492	160	49
Lock, Door	3242469	164	64
Bolt, U	400300300	22	31
Bolt, Hook	400402215	168	32
Bolt, Adjust	400412800	8	16
Bolt, Special	400418902	98	47
Bolt, Special	400427101	16	15
Bolt, Button Head	400428001	172	6
Bolt, Button Head	400428102	204	20
Bolt, Button Head	400432201	204	24

*1 Note

ALPHABETICAL INDEX

Parts Name	P/N	Page *1	Item
Bolt, Button Head	400436401	92	4
Bolt, Button Head	400436402	168	22
Bolt, Button Head	400436501	92	37
Bolt, Button Head	400436502	98	59
Nut, Supecial	400514600	158	5
Shim	400605201	180	22
Shim	400605202	180	22-1
Shim	400606712	190	4
Shim	400606713	190	4-1
Shim	400606714	190	4-2
Washer, Flat	400611901	112	77
Washer	400611902	98	55
Washer, Flat	400611902	90	11
Washer, Flat	400611902	112	65
Washer, Flat	400611902	116	33
Washer, Flat	400611903	58	9
Washer, Flat	400611903	112	74
Washer, Flat	400617800	180	56
Washer, Flat	400617800	180	3
Shim	400624001	184	26
Shim	400624003	184	26-1
Shim	400624004	184	26-2
Shim	400624005	184	26-3
Shim	400624006	184	26-4
Shim	400624007	184	26-5
Plate	400635200	158	8
Washer, Rubber	400652900	90	8
Shim	400654071	180	19
Shim	400654072	180	19-1
Shim	400654081	184	1
Shim	400654082	184	1-1
Shim	400654083	184	1-2
Shim	400654086	180	4
Shim	400654087	180	4-1
Shim	400654091	180	27
Shim	400654092	180	27-1
Shim	400654501	98	58
Shim	400654502	98	58-1
Shim	400730900	186	14
Shim	400735601	126	8
Shim	400735602	126	8-1
Shim	400745201	58	8
Shim	400745202	58	8-1
Shim	400745202	108	7
Shim	400748200	112	27
Shim	400753203	112	40
Shim	400753300	112	20
Pin	401116505	190	7
Pin	401116509	190	14
Pin	401125207	190	13
Lamp, Roof	4012000002	160	9
Adhesive (For Glass)	4012000100	160	31

*1 Note

ALPHABETICAL INDEX

Parts Name	P/N	Page *1	Item
Washer, Flat	4012000109	164	52
Locking, Roof Lamp	4012000152	160	11
Pad, Rubber	4012000184	160	28
Washer Toothed	4012000185	160	25
Washer, Flat	4012000188	164	3
Washer, Flat	4012000189	164	21
Bolt	4012000192	160	36
Bolt	4012000192	164	13
Nut, Cap	4012000206	164	18
Washer, Nylon	4012000210	160	66
Washer, Nylon	4012000210	164	43
Bolt	4012000212	160	26
Bolt	4012000214	160	45
Bolt	4012000214	160	10
Bolt	4012000214	164	73
Valve, Connection	4012000216	160	61
Washer, Flat	4012000217	164	10
Washer Flat	4012000219	160	37
Washer, Flat	4012000219	164	37
Nut	4012000222	164	8
Bolt	4012000228	164	27
Ashtray	4012000238	160	48
Hook	4012000239	160	44
Nut, Cap	4012000240	160	34
Atomizer	4012000245	160	62
Nut, Lighter Lock	4012000246	160	12
Protector	4012000247	164	50
Intake, Ligter	4012000248	160	8
Plug, Ligter	4012000249	160	7
Switch, Wiper	4012000250	160	6
Frame, Side Switch	4012000251	160	5
Frame, Central Switch	4012000252	160	4
Glass, Wiper Switch Cover	4012000254	160	3
Cap	4012000255	160	2
Tank, With Pump	4012000256	160	60
Stopper	4012000258	164	49
Nut	4012000260	164	51
Bolt	4012000266	164	36
Blade, Wiper	4012000268	164	45
Washer, Toothed	4012000269	164	67
Cover, Audio	4012000274	160	16-1
Clips	4012000277	160	27
Nut	4012000278	164	66
Washer, Flat	4012000279	164	42
Washer, Frat	4012000279	160	53
Arm, Wiper	4012000283	164	44
Sunvisor	4012000284	164	26
Bolt	4012000291	160	50
Bracket, Bottle	4012000300	160	47
Nut	4012000303	160	24
Louver, Car Speaker	4012000313	160	15
Cable, Antenna	4012000316	160	14

*1 Note

ALPHABETICAL INDEX

Parts Name	P/N	Page *1	Item
Strip, Weather	4012000318	160	74
Seal	4012000321	160	73
Cover, Dust	4012000326	160	17-1
Cap	4012000329	160	43
Motor, Wiper	4012000344	164	40
Harness	4012000349	160	1
Bolt	4012000351	164	41
Cover, Motor	4012000352	164	46
Nut	4012000356	164	38
Seal	4012000362	164	34
Glass (Lower Side)	4012000365	160	39
Plug, Rubber	4012000367	160	21
Nut	4012000370	160	57
Nut	4012000370	164	15
Stopper, Door	4012000374	164	53
Glass (Lower Front)	4012000378	160	33
Strip, Weather	4012000379	160	29
Window Ass'y, Side	4012000381	160	32
Frame, Door (Wide Door)	4012000382	164	75-1
Glass, Upper (Wide Door)	4012000383	164	76-1
Glass, Lower (Wide Door)	4012000384	164	77-1
Cushion, Rubber	4012000385	164	69
Stop, Door	4012000386	164	68
Washer, Flat	4012000387	164	71
Handle, Door	4012000389	164	61
Strip, Sealing	4012000390	164	62
Bolt	4012000391	164	63
Frame, Door (Standard Door)	4012000392	164	75
Bolt	4012000393	164	65
Cover, Lock	4012000394	164	72
Nut	4012000397	160	52
Net Documents	4012000399	160	51
Gutter (For Wide Door)	4012000400	160	22-1
Bolt	4012000401	160	20
Bolt	4012000401	160	65
Switch, Carrier	4012000402	160	19
Bolt	4012000403	160	54
Glass, Roof	4012000407	160	38
Glass, Upper (Standard Door)	4012000413	164	76
Glass, Lower (Standard Door)	4012000414	164	77
Door Ass'y (Wide Door)	4012000417	164	74-1
Door Ass'y (Standard Door)	4012000419	164	74
Antenna	4012000451	160	18
Washer	4012000458	164	59
Cushion, Rubber	4012000459	164	58
Nut	4012000460	164	2
Plate, Cover	4012000461	160	55
Seal	4012000463	160	56
Decalcomania (Wide Door)	4012000468	164	79-1
Decalcomania (Standard	4012000469	164	79

*1 Note

ALPHABETICAL INDEX

Parts Name	P/N	Page *1	Item
Door)			
Guard (L.H.)	4012000477	164	29
Guard (R.H.)	4012000478	164	30
Guard (Upper)	4012000479	164	31
Bolt	4012000483	164	48
Frame	4012000484	164	28
Strip, Sealing (Wide Door)	4012000491	164	60-1
Strip, Sealing (Wide Door)	4012000498	164	78-1
Strip, Sealing (Standard Door)	4012000512	164	60
Strip, Sealing (Standard Door)	4012000529	164	78
Bracket	4012000532	160	46
Rivet	4012000533	160	59
Pipe	4012000534	160	63
Ceiling Panel (Wide Door)	4012000535	160	64-1
Ceiling Panel	4012000536	160	64
Panel, Cover (L.H.)	4012000537	160	67
Panel, Cover (R.H.)	4012000538	160	68
Cover, Rear	4012000540	160	70
Panel, Side Cover (L.H.)(Wide Door)	4012000542	160	72-1
Panel, Side Cover (L.H.)(Std.Door)	4012000543	160	72
Rubber, Cushion	4012000544	164	1
Spacer	4012000545	164	11
Bracket	4012000546	164	12
Washer, Nylon	4012000547	164	14
Lock, Front Door (L.H.)	4012000548	164	17
Lock, Front Door (R.H.)	4012000549	164	22
Stay, Dumper	4012000550	164	23
Pin	4012000551	164	24
Ring, Elasti	4012000552	164	25
Glass, Front	4012000553	164	32
Stay, Guard	4012000554	164	47
Bolt	4012000555	164	56
Protector	4012000557	164	80
Bolt	4012000558	164	81
Bolt	4012000559	164	82
Nut	4012000560	164	83
Washer, Flat	4012000561	164	84
Side Glass (L.H.) (Wide Door)	4012000562	160	30-1
Side Glass (L.H.) (Standard Door)	4012000563	160	30
Glass (Rear)	4012000564	160	40
Frame, Cabin (Wide Door)	4012000565	160	41-1
Frame, Cabin (Std. Door)	4012000566	160	41
Panel, Side Cover (R.H.)	4012000568	160	71
Panel, Rear Cover	4012000571	160	69
Gutter	4012000572	160	22
Gutter	4012000573	160	23

*1 Note

ALPHABETICAL INDEX

Parts Name	P/N	Page *1	Item
Shaft	401222000	10	8
Pin	401251800	96	13
Pin, Head	401369300	180	46
Hinge	4015000087	164	54
Pin, Hinge	4015000088	164	55
Nut	4015000091	164	20
Ring, Elastic	4015000092	164	57
Bolt	4015000098	164	70
Adhesive	4015000100	164	33
Clip, Glass Clamping	4015000108	160	35
Washer, Flat	4015000109	164	85
Bushing	4015000111	164	4
Collar	4015000113	164	5
Plate, Collar	4015000115	164	6
Strip, Sealing	4015000117	164	16
Bolt	4015000118	164	7
Washer, Toothed	4015000121	164	9
Bolt, Treatment	4015000128	164	19
Nut	4015000129	164	39
Silicone	4015000131	164	35
Sheet, Non Slip	4015000141	160	42
Clamp	4015000149	160	13
Pin, Snap	401603004	92	21
Pin, Snap	401603004	112	5
Spacer	404046917	180	24
Spacer	404086700	92	14
Bushing	404310505	180	44
Bushing	404322801	190	11
Bushing	404703502	10	5
Plug	406002100	58	3
Tee	406003202	194	65
Elbow	406005300	28	18
Elbow	406005400	28	16
Connector	406008021	22	23
Elbow, 30	406027700	30	80
Elbow, 30	406027700	34	50
Hose Ass'y	407001226	16	7
Hose Ass'y	407001506	22	2
Hose Ass'y	407001512	22	3
Hose Ass'y	407001538	16	18
Hose Ass'y	407002611	22	15
Hose Ass'y	407002634	22	10
Hose Ass'y	407004443	30	66
Hose Ass'y	407004443	34	72
Hose Ass'y	407004443	38	71
Hose Ass'y	407006712	28	7
Hose Ass'y	407006712	28	9
Hose Ass'y	407006716	16	1
Hose Ass'y	407007118	26	3
Hose Ass'y	407007121	26	5
Hose, Water	407010223	176	2
Hose, Water	407010235	176	10

*1 Note

ALPHABETICAL INDEX

Parts Name	P/N	Page *1	Item
Hose Ass'y	407011501	192	1
Hose Ass'y	407011504	192	4
Hose Ass'y	407011515	192	2
Hose Ass'y	407018305	194	17
Hose, Fuel	407024521	108	14
Hose, Fuel	407024530	108	13
Hose, Fuel	407024554	108	15
Hose, Fuel	407024566	108	12
Hose	407030709	98	40
Hose, Fuel	407030719	108	30
Cover, Hose	407035001	188	19
Hose Ass'y	407047607	192	5
Hose Ass'y	407047608	192	6
Hose Ass'y	407047628	28	10
Hose Ass'y	407047809	16	13
Hose Ass'y (For Long Arm)	407049113	188	1-1
Hose Ass'y	407049114	188	1
Hose Ass'y	407049621	194	5
Hose Ass'y	407049628	26	2
Hose Ass'y	407049629	188	27
Hose Ass'y	407049630	188	31
Hose Ass'y	407049631	26	4
Hose Ass'y	407049632	26	6
Cover, Hose	407050401	28	5
Hose Ass'y	407054803	30	21
Hose Ass'y	407054803	34	22
Hose Ass'y	407054803	38	22
Hose Ass'y	407054803	90	16
Hose Ass'y	407054803	96	19
Hose Ass'y	407054804	90	24
Hose Ass'y	407054805	96	22
Hose Ass'y	407054806	28	11
Hose Ass'y	407054810	30	19
Hose Ass'y	407054810	34	20
Hose Ass'y	407054810	38	20
Hose Ass'y	407054811	30	24
Hose Ass'y	407054811	30	25
Hose Ass'y	407054811	30	26
Hose Ass'y	407054811	30	23
Hose Ass'y	407054811	34	24
Hose Ass'y	407054811	34	25
Hose Ass'y	407054811	34	26
Hose Ass'y	407054811	34	27
Hose Ass'y	407054811	38	24
Hose Ass'y	407054811	38	25
Hose Ass'y	407054811	38	26
Hose Ass'y	407054811	38	27
Hose Ass'y	407054812	194	15
Hose Ass'y	407054814	30	34
Hose Ass'y	407054814	30	35
Hose Ass'y	407054814	30	36
Hose Ass'y	407054814	30	37

*1 Note

ALPHABETICAL INDEX

Parts Name	P/N	Page *1	Item
Hose Ass'y	407054814	30	38
Hose Ass'y	407054814	34	34
Hose Ass'y	407054814	34	35
Hose Ass'y	407054814	34	36
Hose Ass'y	407054814	34	37
Hose Ass'y	407054814	34	38
Hose Ass'y	407054814	38	35
Hose Ass'y	407054814	38	36
Hose Ass'y	407054814	38	37
Hose Ass'y	407054814	38	38
Hose Ass'y	407054814	38	39
Hose Ass'y	407054815	30	27
Hose Ass'y	407054815	30	28
Hose Ass'y	407054815	34	28
Hose Ass'y	407054815	34	29
Hose Ass'y	407054815	38	28
Hose Ass'y	407054815	38	29
Hose Ass'y	407054816	30	44
Hose Ass'y	407054816	34	44
Hose Ass'y	407054816	38	45
Hose Ass'y	407054816	96	23
Hose Ass'y	407054818	30	32
Hose Ass'y	407054818	34	32
Hose Ass'y	407054818	38	33
Hose Ass'y	407054818	194	20
Hose Ass'y	407054819	30	41
Hose Ass'y	407054819	30	42
Hose Ass'y	407054819	30	22
Hose Ass'y	407054819	34	80
Hose Ass'y	407054819	34	42
Hose Ass'y	407054819	34	23
Hose Ass'y	407054819	38	42
Hose Ass'y	407054819	38	43
Hose Ass'y	407054819	38	23
Hose Ass'y	407054820	96	18
Hose Ass'y	407054826	30	33
Hose Ass'y	407054826	34	33
Hose Ass'y	407054826	38	34
Hose Ass'y	407054827	30	29
Hose Ass'y	407054827	30	30
Hose Ass'y	407054827	34	30
Hose Ass'y	407054827	34	31
Hose Ass'y	407054827	38	30
Hose Ass'y	407054827	38	31
Hose Ass'y	407054827	96	20
Hose Ass'y	407054832	30	31
Hose Ass'y	407054832	34	81
Hose Ass'y	407054832	38	32
Hose Ass'y	407054834	30	64
Hose Ass'y	407054834	30	65
Hose Ass'y	407054834	34	70
Hose Ass'y	407054834	34	71

*1 Note

ALPHABETICAL INDEX

Parts Name	P/N	Page *1	Item
Hose Ass'y	407054834	38	69
Hose Ass'y	407054834	38	70
Hose Ass'y	407054836	30	20
Hose Ass'y	407054836	34	21
Hose Ass'y	407054836	38	21
Hose Ass'y	407054836	194	16
Hose Ass'y	407054839	30	73
Hose Ass'y	407054839	34	79
Hose Ass'y	407054839	38	78
Hose Ass'y	407054846	30	39
Hose Ass'y	407054846	30	40
Hose Ass'y	407054846	34	39
Hose Ass'y	407054846	34	40
Hose Ass'y	407054846	38	40
Hose Ass'y	407054846	38	41
Hose Ass'y	407054856	90	28
Hose Ass'y	407054856	96	29
Hose Ass'y	407054857	30	74
Hose Ass'y	407054857	34	41
Hose Ass'y	407054857	38	79
Hose Ass'y	407054857	194	19
Hose Ass'y	407054860	90	17
Hose Ass'y	407054860	90	18
Hose Ass'y	407054861	22	1
Hose Ass'y	407054865	194	22
Hose Ass'y	407054867	96	28
Hose Ass'y	407054875	28	8
Hose Ass'y	407054879	30	67
Hose Ass'y	407054879	34	73
Hose Ass'y	407054879	38	72
Hose Ass'y	407055103	96	21
Hose Ass'y	407055115	30	43
Hose Ass'y	407055115	34	43
Hose Ass'y	407055115	38	44
Hose Ass'y	407055119	30	63
Hose Ass'y	407055119	34	69
Hose Ass'y	407055119	38	68
Hose Ass'y	407055121	194	21
Hose Ass'y	407063405	22	7
Hose Ass'y	407075404	22	19
Hose, Duct	407075505	102	30
Cover, Hose	407085402	188	6
Connector	407240100	90	25
Connector	407262701	22	47
Connector	407262701	30	55
Connector	407262701	30	13
Connector	407262701	34	61
Connector	407262701	34	13
Connector	407262701	38	60
Connector	407262701	38	13
Elbow	407264600	22	53
Elbow	407276900	26	12

*1 Note

ALPHABETICAL INDEX

Parts Name	P/N	Page *1	Item
Elbow	407276900	192	7
Adapter	407293001	194	23
Connector	407293001	30	72
Connector	407293001	34	78
Connector	407293001	38	77
Connector	407297100	26	11
Connector	407297100	188	28
Plug, Drain	407703600	58	7
Plug	407706100	28	15
Plug	407706400	194	14
Gauge, Level	407902700	58	1
Clamp, Hose	408000002	168	9
Clamp, Hose	408000003	98	37
Clamp, Hose	408000005	168	10
Clamp, Hose	408000006	168	11
Clamp	408000009	30	70
Clamp	408000009	34	76
Clamp	408000009	38	75
Clamp	408000012	30	75
Clamp	408000012	34	88
Clamp	408000012	38	80
Clamp, Hose	408000025	108	16
Clamp, Hose	408000026	168	12
Clamp	408000041	38	82
Clamp	408011800	168	55
Clamp, Tube	408141000	194	30
Hinge	409412200	112	28
Cutter, Side	412301200	186	10
Cutter, Side	412301300	186	5
Boss	413125400	186	15
Spring	417019800	8	13
Sprocket, Drive	423451200	2	18
Stay	426072400	16	17
Stay	426139100	180	33
Stay	426139400	112	79
Tube	429309100	194	12
Plate (For Rubber Shoe)	440163100	8	21
Plate, Name (B1)	440530701	30	74-1
Plate, Name (B1)	440530701	30	30-1
Plate, Name (B1)	440530701	30	41-1
Plate, Name (B1)	440530701	34	80-1
Plate, Name (B1)	440530701	34	31-1
Plate, Name (B1)	440530701	34	41-1
Plate, Name (B1)	440530701	38	42-1
Plate, Name (B1)	440530701	38	79-1
Plate, Name (B1)	440530701	38	31-1
Plate, Name (B2)	440530702	30	63-1
Plate, Name (B2)	440530702	30	28-1
Plate, Name (B2)	440530702	30	33-1
Plate, Name (B2)	440530702	34	69-1
Plate, Name (B2)	440530702	34	29-1
Plate, Name (B2)	440530702	34	33-1

*1 Note

ALPHABETICAL INDEX

Parts Name	P/N	Page *1	Item
Plate, Name (B2)	440530702	38	34-1
Plate, Name (B2)	440530702	38	68-1
Plate, Name (B2)	440530702	38	29-1
Plate, Name (R1)	440530703	30	23-1
Plate, Name (R1)	440530703	34	25-1
Plate, Name (R1)	440530703	38	24-1
Plate, Name (R3)	440530704	30	25-1
Plate, Name (R3)	440530704	34	27-1
Plate, Name (R3)	440530704	38	26-1
Plate, Name (C1)	440530801	30	42-1
Plate, Name (C1)	440530801	34	42-1
Plate, Name (C1)	440530801	38	43-1
Plate, Name (C2)	440530802	30	64-1
Plate, Name (C2)	440530802	34	70-1
Plate, Name (C2)	440530802	38	69-1
Plate, Name (R2)	440530803	30	24-1
Plate, Name (R2)	440530803	34	26-1
Plate, Name (R2)	440530803	38	25-1
Plate, Name (R4)	440530804	30	26-1
Plate, Name (R4)	440530804	34	24-1
Plate, Name (R4)	440530804	38	27-1
Plate, Name (A1)	440530901	30	27-1
Plate, Name (A1)	440530901	34	28-1
Plate, Name (A1)	440530901	38	28-1
Plate, Name (A2)	440530902	30	65-1
Plate, Name (A2)	440530902	30	32-1
Plate, Name (A2)	440530902	34	71-1
Plate, Name (A2)	440530902	34	32-1
Plate, Name (A2)	440530902	38	33-1
Plate, Name (A2)	440530902	38	70-1
Plate, Name (L1)	440530903	30	34-1
Plate, Name (L1)	440530903	34	34-1
Plate, Name (L1)	440530903	38	35-1
Plate, Name (L3)	440530904	30	36-1
Plate, Name (L3)	440530904	34	36-1
Plate, Name (L3)	440530904	38	37-1
Plate, Name (S1)	440531001	30	39-1
Plate, Name (S1)	440531001	30	19-1
Plate, Name (S1)	440531001	34	39-1
Plate, Name (S1)	440531001	34	20-1
Plate, Name (S1)	440531001	38	40-1
Plate, Name (S1)	440531001	38	20-1
Plate, Name (S2)	440531002	30	38-1
Plate, Name (S2)	440531002	30	40-1
Plate, Name (S2)	440531002	34	38-1
Plate, Name (S2)	440531002	34	40-1
Plate, Name (S2)	440531002	38	39-1
Plate, Name (S2)	440531002	38	41-1
Plate, Name (L2)	440531003	30	35-1
Plate, Name (L2)	440531003	34	35-1
Plate, Name (L2)	440531003	38	36-1
Plate, Name (L4)	440531004	30	37-1

*1 Note

ALPHABETICAL INDEX

Parts Name	P/N	Page *1	Item
Plate, Name (L4)	440531004	34	37-1
Plate, Name (L4)	440531004	38	38-1
Plate, Name (RP)	440531101	30	31-1
Plate, Name (RP)	440531101	34	81-1
Plate, Name (RP)	440531101	38	32-1
Plate, Name (LP)	440531102	30	22-1
Plate, Name (LP)	440531102	34	23-1
Plate, Name (LP)	440531102	38	23-1
Plate, Name (RT)	440531201	30	67-1
Plate, Name (RT)	440531201	34	73-1
Plate, Name (RT)	440531201	38	72-1
Plate, Name (LT)	440531202	30	73-1
Plate, Name (LT)	440531202	34	79-1
Plate, Name (LT)	440531202	38	78-1
Plate, Name (BA)	440531801	188	15-1
Plate, Name (BB)	440531802	188	9-1
Plate, Name (CA)	440531901	188	11-1
Plate, Name (CB)	440531902	188	17-1
Plate, Name (AA)	440532001	188	10-1
Plate, Name (AB)	440532002	188	16-1
Plate, Name (Anti-Freezing Solution)	440545600	134	8
Plate, Name (Oil)	440545700	134	9
Plate, Name (Oil)	440545700	142	10
Plate, Name (Oil)	440545700	146	10
Plate, Name (Oil)	440545700	150	10
Plate, Name (Door Release)	440587100	128	28
Plate, Name (Door Release)	440587200	130	31
Plate, Name (Door Release)	440591900	138	31
Plate, Name (Door Release)	440592000	134	30
Plate, Name (Shoe Tension)	440643600	130	13
Plate, Name (Safety Works)	440645800	130	23
Plate, Name (Anti-Freezing Solution)	440671000	138	9
Plate, Name (Safety Works)	440671400	138	23
Plate, Name (Anti-Freezing Solution)	440703500	128	9
Plate, Name (Anti-Freezing Solution)	440703500	130	9
Plate, Name (Anti-Freezing Solution)	440703500	200	9
Plate, Nonslip	440766908	200	28
Plate, Name (Oil)	440797400	130	10
Plate, Name (Oil)	440797400	138	10
Plate, Rubber	440950200	168	33
Bracket	441831600	204	17
Block, Bearing	442052500	10	2
Bracket (L.H.)	442453800	204	7
Bracket, Lock	442804300	112	19
Bracket	442804800	18	2
Bracket	442809800	112	26
Bracket	442809900	112	48

*1 Note

ALPHABETICAL INDEX

Parts Name	P/N	Page *1	Item
Bracket	442810000	112	47
Bracket	442810100	112	41
Bracket	442845000	112	12
Flange	443563700	186	13
Plate, Name (Door Release)	444722700	142	31
Plate, Name (Anti-Freezing Solution)	444722900	142	9
Plate, Name (Oil)	444747900	128	10
Plate, Name (Oil)	444747900	200	10
Plate, Name (Oil Check)	444765000	128	11
Plate, Name (Oil Check)	444765000	200	11
Plate, Name (Caution)	444765300	194	44
Plate, Name (Oil Check)	444785600	130	11
Plate, Name (Caution)	444785700	130	12
Plate, Name (Spare Port Change)	444787400	194	43
Plate, Name (Shoe Tension)	444788100	142	13
Plate, Name (Safety Works)	444788200	142	23
Plate, Name (Oil Check)	444792200	134	10
Plate, Name (Caution)	444792500	134	11
Plate, Name (Oil Check)	444793800	142	11
Plate, Name (Shoe Tension)	444797200	134	12
Plate, Name (Shoe Tension)	444799300	138	13
Plate, Name (Caution)	444799600	138	12
Plate, Name (Oil Check)	444799900	138	11
Plate, Name (Caution)	444835000	142	12
Plate, Name (IHI)	444842000	128	29
Plate, Name (IHI)	444842000	130	32
Plate, Name (IHI)	444842000	138	32
Plate, Name (IHI)	444842000	142	32
Plate, Name (IHI)	444842000	146	32
Plate, Name (IHI)	444842000	150	32
Plate, Name (IHI)	444842000	154	32
Plate, Name (Transport Fix)(CE)	444847400	130	14
Plate, Name (Transport Fix)	444851100	134	13
Plate, Name (Transport Fix)	444854200	138	14
Plate, Name (Transport Fix)	444856200	150	14
Plate, Name (Anti-Freezing Solution)	444857300	150	9
Plate, Name (Oil Check)	444857400	150	11
Plate, Name (Shoe Tension)	444858300	150	13
Plate, Name (Safety Works)	444858400	150	23
Plate, Name (Caution)	444858700	150	12
Plate, Name (Door Release)	444859700	150	31
Plate, Name (Anti-Freezing Solution)	444859800	146	9
Plate, Name (Shoe Tension)	444860200	146	13
Plate, Name (Safety Works)	444860300	146	23
Plate, Name (Oil Check)	444860600	146	11
Plate, Name (Caution)	444860700	146	12
Plate, Name (Transport Fix)	444861900	146	14

*1 Note

ALPHABETICAL INDEX

Parts Name	P/N	Page *1	Item
Plate, Name (Door Release)	444864700	146	31
Plate, Name (Spare Port Change)	444865100	130	15
Plate, Name (Spare Port Change)	444868700	138	15
Plate, Name (Spare Port Change)	444894400	134	14
Plate, Name (For A, F Change)	444898700	38	49
Plate, Name (Spare Port Change)	444900300	150	15
Plate, Name (Oil)	444925200	128	12
Plate, Name (Oil)	444925200	200	12
Plate, Name (Tank Decompression)	444925300	128	13
Plate, Name (Tank Decompression)	444925300	200	13
Plate, Name (Spare Port Change)	444940600	146	15
Case, Tools	445050500	178	1
Cover, Tank (Light Green)	445301000	112	36
Cover, Engine	445301300	112	21
Cover	445301700	112	11
Cover	445302000	112	31
Cover	445753500	172	28
Cover (R.H.)	445891800	2	9
Cover (L.H.)	445891900	2	12
Cover	445896800	180	31
Tape, Insulating	445959800	102	27
Cover	446075600	2	3
Cover, Under	446174900	2	6
Panel, Sponge	446924408	120	3
Panel, Sponge	446924409	120	4
Panel, Sponge	446925901	98	2
Panel, Sponge	446925903	98	4
Panel, Sponge	446925904	98	5
Panel, Sponge	446925905	98	6
Panel, Sponge	446925907	98	7
Panel, Sponge	446925908	98	8
Guide, Shoe (L.H.)	447559000	2	26
Guide, Shoe (R.H.)	447559100	2	25
Guide	447566500	96	12
Retainer, Spring	448550800	8	12
Retainer, Spring	448550900	8	15
Pedal	450162300	96	11
Ring, O	451150101	180	47
Cylinder, Grease	451454900	8	4
Piston	451550600	8	1
Duct	452270701	204	4
Duct	452270702	204	5
Cap, Rubber	452852400	112	43
Seal	455000500	198	22
Seal	455051900	2	8

*1 Note

ALPHABETICAL INDEX

Parts Name	P/N	Page *1	Item
Seal	455051900	30	51
Seal	455051900	30	52
Seal	455051900	34	57
Seal	455051900	34	58
Seal	455051900	38	56
Seal	455051900	38	57
Seal, Trim	455051900	30	90
Seal, Trim	455051900	30	91
Seal, Trim	455051900	30	92
Seal, Trim	455051900	30	7
Seal, Trim	455051900	30	8
Seal, Trim	455051900	34	7
Seal, Trim	455051900	38	90
Seal, Trim	455051900	38	91
Seal, Trim	455051900	38	95
Seal, Trim	455051900	38	7
Seal, Trim	455051900	38	8
Seal, Trim	455051900	116	47
Seal, Trim	455051900	116	15
Seal, Trim	455051900	116	2
Seal, Trim	455051900	116	3
Seal, Trim	455051900	198	1
Seal, Trim	455051900	198	8
Seal, Sponge	455059313	158	21
Seal, Sponge	455059314	158	22
Seal, Sponge	455059315	158	13
Seal, Sponge	455059316	158	20
Seal, Sponge	455059317	158	15
Seal, Sponge	455059318	158	14
Seal	455071800	98	18
Seal	455071800	98	19
Seal	455072600	112	71
Seal	455072600	112	44
Seal	455072600	112	50
Seal	455072600	112	51
Seal	455072600	112	55
Seal	455072600	112	56
Seal	455072600	112	25
Seal	455087300	112	38
Seal, Sponge	455087300	158	4
Pad	458001600	30	68
Pad	458001600	34	86
Pad	458001600	38	73
Pad	458051400	192	3
Pad, Rubber	458059000	158	6
Pad	458073000	16	27
Pad	458073400	188	18
Adj. Device, Crawler Shoe	530123200	8	0
Cylinder Ass'y, Grease	530123202	8	0-2
Adj. Device, Crawler Shoe	530123300	8	0-1
Tools Set	538851000	178	0
Bolt, U	D00302100	102	22

*1 Note

ALPHABETICAL INDEX

Parts Name	P/N	Page *1	Item
Bolt, Special	D00401401	184	7
Bolt, Flat Head	D00404901	90	34
Bolt, Special	D00405901	98	46
Washer, Rubber	D00602000	90	9
Washer, Flat	D00603200	126	4
Washer, Flat	D00603800	126	13
Washer, Flat	D00604700	126	18
Shim	D00705900	2	24
Shim	D00722600	112	90
Pin	D01106200	184	17
Pin	D01106300	184	22
Pin, Head	D01304300	180	36
Pin, Head	D01307900	180	16
Pin, Head	D01321500	112	93
Pin, Head	D01321600	112	94
Pin, Head	D01334300	180	36
Pin	D01702300	180	6
Pin	D01703700	180	25
Pin, Wing	D01707000	184	5
Pin	D01707200	180	13
Pin	D01707300	180	35
Pin	D01707400	180	26
Pin, Wing	D01707700	184	15
Pin	D01710800	180	54
Pin	D01722500	92	13
Spacer	D04003500	90	7
Spacer	D04006600	180	11
Spacer	D04019800	180	43
Spacer (For Rubber Shoe)	D04021901	8	14
Bushing	D04302800	184	8
Bushing	D04302900	184	24
Bushing	D04303000	184	16
Bushing	D04700300	180	7
Bushing	D04700400	180	14
Bushing	D04702603	180	42
Bushing	D04703701	180	10
Bushing	D04703801	180	18
Link, Arm	D04703901	180	38
Connector	D06002800	30	77
Elbow	D06002800	30	12
Elbow	D06002800	34	46
Elbow	D06002800	34	12
Elbow	D06002800	38	12
Elbow	D06002800	194	50
Elbow	D06007700	28	26
Bush, Reducer	D06009300	22	39
Connector	D06012800	22	22
Connector	D06012900	22	21
Connector	D06013000	194	3
Connector, Reducer	D06013100	30	59
Connector, Reducer	D06013100	34	65
Connector, Reducer	D06013100	38	64

*1 Note

ALPHABETICAL INDEX

Parts Name	P/N	Page *1	Item
Connector	D06021700	188	33
Manifold	D06501300	34	19
Hose Ass'y	D07004802	26	1
Hose	D07010500	22	28
Hose Ass'y	D07010601	188	11
Hose Ass'y	D07010603	188	15
Hose Ass'y	D07010603	188	9
Hose Ass'y	D07010606	188	17
Hose Ass'y	D07010704	188	5
Hose Ass'y	D07010801	188	14
Hose Ass'y	D07010901	28	2
Hose Ass'y	D07010902	28	3
Hose Ass'y	D07011012	194	18
Hose Ass'y	D07011102	194	37
Hose Ass'y	D07011105	188	10
Hose Ass'y	D07011106	188	16
Hose Ass'y	D07011202	194	38
Hose Ass'y	D07011908	22	18
Hose Ass'y	D07011912	22	16
Hose	D07014206	30	48
Hose	D07014206	34	54
Hose	D07014206	38	53
Hose	D07052102	30	49
Hose	D07052102	34	55
Hose	D07052102	38	54
Plug	D07701700	58	3
Clamp, Hose	D08001900	102	16
Clamp, Tube	D08102300	194	31
Clamp, Tube	D08104400	188	3
Clamp, Tube	D08104500	188	21
Seat, Clamp	D08104600	194	28
Seat, Clamp	D08201800	194	29
Seat, Clamp	D08201900	194	25
Seat, Clamp	D08202000	194	26
Plate, Acryl	D09103400	198	23
Hinge	D09403300	112	14
Cable Ass'y, Control	D10200200	112	91
Boss	D13106600	186	15
Spring	D17005200	92	17
Spring	D17201500	112	92
Boots	D18100200	96	4
Frame, Lower	D20015500	2	2
Frame, Swing	D20428900	18	1
Frame	D20629300	198	4
Boom	D21005800	180	12
Boom	D21012200	180	12
Arm Ass'y	D21507800	180	21
Arm Ass'y, Long	D21507900	180	21-1
Arm Ass'y	D21516000	180	21
Arm Ass'y, Long	D21518200	180	21-1
Flange, Pump	D23004400	106	9
Sprocket, Drive	D23401500	2	18

*1 Note

ALPHABETICAL INDEX

Parts Name	P/N	Page *1	Item
Idler, Front (For Steel Shoe)	D23602000	10	6-1
Idler, Front (For Rubber Shoe)	D23602100	10	6
Blade	D25704400	190	15
Blade	D25710400	190	15
Stay	D26026300	112	82
Stay	D26038400	112	1
Weight	D26306200	126	19
Weight, Counter	D26319700	126	1
Bucket, Hoe (0.28m ³ , 760mm)	D27004800	186	1-5
Bucket, Hoe (0.21m ³ , 650mm)	D27005500	186	1-3
Bucket, Hoe (0.11m ³ , 450mm)	D27005700	186	1-1
Bucket, Hoe (0.25m ³ , 760mm)	D27008100	186	1
Bucket, Hoe (W/Hook, 0.25m ³ , 760mm)	D27008200	186	1-4
Bucket, Hoe (Reinforced, 0.25m ³ , 760mm)	D27008800	186	1-6
Bucket, Hoe (0.16m ³ , 550mm)	D27011700	186	1-2
Tank, Fuel	D28417500	108	1
Tank, Hydraulic Oil	D28417600	58	2
Tank, Hydraulic Oil	D28420000	58	2
Tube	D28527000	58	13
Tube	D28531400	22	30
Tube	D28531500	188	4
Tube	D28532300	194	2
Tube	D28547100	188	8
Tube	D28549900	194	1
Tube	D28595900	22	32
Tube	D28596000	22	25
Shim	D40034500	198	13
Shim	D40034600	198	14
Plate	D40132600	124	3
Plate, Name (Transport Fix)	D40505900	142	14
Plate, Name (Serial No.)	D40509100	134	2
Plate, Name (Serial No.)	D40509100	138	3
Plate, Name (Serial No.)	D40509100	142	3
Plate, Name (Serial No.)	D40509100	146	3
Plate, Name (Serial No.)	D40509100	150	3
Plate, Name (Serial No.)	D40509100	154	3
Plate, Name (Serial No.)(CE)	D40509100	130	3-1
Plate, Name (Serial No.)	D40509400	128	3
Plate, Name (Serial No.)	D40509400	130	3
Plate, Name (Serial No.)	D40509400	200	3
Plate, Name (New Machine)	D40509700	130	16
Plate, Name (New Machine)	D40509700	134	15
Plate, Name (New Machine)	D40509700	138	16
Plate, Name (New Machine)	D40509700	142	16
Plate, Name (New Machine)	D40509700	146	16
Plate, Name (New Machine)	D40509700	150	16
Plate, Name (New Machine)	D40509700	154	16

*1 Note

ALPHABETICAL INDEX

Parts Name	P/N	Page *1	Item
Plate, Name (Spare Port Change)	D40525600	142	15
Seal	D40527200	198	11
Plate, Name (Caution)	D40532300	130	22
Plate, Name (Caution)	D40533200	128	6
Plate, Name (Caution)	D40533200	200	6
Plate, Name (Caution)	D40535900	130	6
Plate, Name (Caution)	D40535900	134	5
Plate, Name (Caution)	D40535900	138	6
Plate, Name (Caution)	D40535900	142	6
Plate, Name (Caution)	D40535900	146	6
Plate, Name (Caution)	D40535900	150	6
Plate, Name (Caution)	D40535900	154	6
Plate, Name (Caution)	D40537300	128	14
Plate, Name (Caution)	D40537300	200	14
Plate, Name (Low Noise)	D40537800	128	25
Plate, Name (Low Noise)	D40537800	200	25
Plate, Name (For A-D)	D40544700	30	82
Plate, Name (Caution)	D40544900	128	4
Plate, Name (Caution)	D40544900	200	4
Plate, Name (Safty Swing)	D40545000	128	15
Plate, Name (Safty Swing)	D40545000	200	15
Plate, Name (Caution)	D40545100	128	5
Plate, Name (Caution)	D40545100	200	5
Plate, Name (Caution)	D40545300	128	30
Plate, Name (Caution)	D40545400	128	16
Plate, Name (Caution)	D40545400	200	16
Plate, Name (Caution)	D40545500	128	17
Plate, Name (Caution)	D40545500	200	17
Plate, Name (Caution)	D40546200	128	18
Plate, Name (Caution)	D40546200	200	18
Plate, Name (Caution)	D40546300	128	19
Plate, Name (Caution)	D40546300	200	19
Plate, Name (IHI)	D40546500	128	1
Plate, Name (IHI)	D40546500	130	1
Plate, Name (IHI)	D40546500	134	1
Plate, Name (IHI)	D40546500	138	1
Plate, Name (IHI)	D40546500	142	1
Plate, Name (IHI)	D40546500	146	1
Plate, Name (IHI)	D40546500	150	1
Plate, Name (IHI)	D40546500	154	1
Plate, Name (IHI)	D40546500	200	1
Plate, Name (Caution)	D40550300	130	17
Plate, Name (Caution)	D40550300	134	16
Plate, Name (Caution)	D40550300	138	17
Plate, Name (Caution)	D40550300	142	17
Plate, Name (Caution)	D40550300	146	17
Plate, Name (Caution)	D40550300	150	17
Plate, Name (Caution)	D40550300	154	17
Plate, Name (Caution)	D40550400	130	18
Plate, Name (Caution)	D40550400	134	17
Plate, Name (Caution)	D40550400	138	18

*1 Note

ALPHABETICAL INDEX

Parts Name	P/N	Page *1	Item
Plate, Name (Caution)	D40550400	142	18
Plate, Name (Caution)	D40550400	146	18
Plate, Name (Caution)	D40550400	150	18
Plate, Name (Caution)	D40550400	154	18
Plate, Name (Caution)	D40550500	130	19
Plate, Name (Caution)	D40550500	134	18
Plate, Name (Caution)	D40550500	138	19
Plate, Name (Caution)	D40550500	142	19
Plate, Name (Caution)	D40550500	146	19
Plate, Name (Caution)	D40550500	150	19
Plate, Name (Caution)	D40550500	154	19
Plate, Name (Caution)	D40550600	130	4
Plate, Name (Caution)	D40550600	134	3
Plate, Name (Caution)	D40550600	138	4
Plate, Name (Caution)	D40550600	142	4
Plate, Name (Caution)	D40550600	146	4
Plate, Name (Caution)	D40550600	150	4
Plate, Name (Caution)	D40550600	154	4
Plate, Name (Safty Swing)	D40550700	130	20
Plate, Name (Safty Swing)	D40550700	134	19
Plate, Name (Safty Swing)	D40550700	138	20
Plate, Name (Safty Swing)	D40550700	142	20
Plate, Name (Safty Swing)	D40550700	146	20
Plate, Name (Safty Swing)	D40550700	150	20
Plate, Name (Safty Swing)	D40550700	154	20
Plate, Name (Caution)	D40550800	130	5
Plate, Name (Caution)	D40550800	134	4
Plate, Name (Caution)	D40550800	138	5
Plate, Name (Caution)	D40550800	142	5
Plate, Name (Caution)	D40550800	146	5
Plate, Name (Caution)	D40550800	150	5
Plate, Name (Caution)	D40550800	154	5
Plate, Name (Caution)	D40551000	130	33
Plate, Name (Caution)	D40551000	134	31
Plate, Name (Caution)	D40551000	138	33
Plate, Name (Caution)	D40551000	142	33
Plate, Name (Caution)	D40551000	146	33
Plate, Name (Caution)	D40551000	150	33
Plate, Name (Caution)	D40551000	154	33
Plate, Name (Caution)	D40551100	130	21
Plate, Name (Caution)	D40551100	134	20
Plate, Name (Caution)	D40551100	138	21
Plate, Name (Caution)	D40551100	142	21
Plate, Name (Caution)	D40551100	146	21
Plate, Name (Caution)	D40551100	150	21
Plate, Name (Caution)	D40551100	154	21
Plate, Name (For A, B, G)	D40551800	30	82-1
Plate, Name (Caution)	D40555900	150	22
Plate, Name (Caution)	D40557100	134	21
Plate, Name (Caution)	D40557500	138	22
Plate, Name (Caution)	D40558700	142	22
Plate, Name (Caution)	D40559400	146	22

*1 Note

ALPHABETICAL INDEX

Parts Name	P/N	Page *1	Item
Plate, Name (Caution)	D40565900	128	8
Plate, Name (Caution)	D40565900	200	8
Plate, Name (Caution)	D40566400	128	7
Plate, Name (Caution)	D40566400	200	7
Plate, Name (Caution)	D40567400	130	8
Plate, Name (Caution)	D40567400	134	7
Plate, Name (Caution)	D40567400	138	8
Plate, Name (Caution)	D40567400	142	8
Plate, Name (Caution)	D40567400	146	8
Plate, Name (Caution)	D40567400	150	8
Plate, Name (Caution)	D40567400	154	8
Plate, Name (Caution)	D40567500	130	7
Plate, Name (Caution)	D40567500	134	6
Plate, Name (Caution)	D40567500	138	7
Plate, Name (Caution)	D40567500	142	7
Plate, Name (Caution)	D40567500	146	7
Plate, Name (Caution)	D40567500	150	7
Plate, Name (Caution)	D40567500	154	7
Plate, Name (Lifting Procedures)	D40579700	138	30
Plate, Name (Lifting Procedures)(CE)	D40581200	130	30
Plate, Name (Lifting Procedures)	D40581500	134	29
Plate, Name (Lifting Procedures)	D40581800	150	30
Plate, Name (Lifting Procedures)	D40582100	146	30
Plate, Name (Lifting Procedures)	D40582400	142	30
Plate, Name (Oil)	D40600000	154	10
Plate, Name (Caution)	D40600200	154	12
Plate, Name (Caution)	D40600500	154	22
Plate, Name (Transport Fix)	D40600700	154	14
Plate, Name (Anti-Freezing Solution)	D40601200	154	9
Plate, Name (Oil Check)	D40601400	154	11
Plate, Name (Shoe Tension)	D40601500	154	13
Plate, Name (Boom Lowering)(CE)	D40617400	130	29
Plate, Name (Boom Lowering)	D40617500	138	29
Plate, Name (Boom Lowering)	D40617600	142	29
Plate, Name (Boom Lowering)	D40617700	134	28
Plate, Name (Boom Lowering)	D40617800	150	29
Plate, Name (Boom Lowering)	D40617900	146	29
Plate, Name (Noise 98)	D40636400	134	25
Plate, Name (Noise 98)	D40636400	138	26
Plate, Name (Noise 98)	D40636400	142	26
Plate, Name (Noise 98)	D40636400	146	26
Plate, Name (Noise 98)	D40636400	150	26
Plate, Name (Noise 98)	D40636400	154	26
Plate, Name (Noise 98)(CE)	D40636400	130	26
Plate, Name (T1)	D40649901	90	28-1

*1 Note

ALPHABETICAL INDEX

Parts Name	P/N	Page *1	Item
Plate, Name (T2)	D40649902	90	18-1
Plate, Name (T3)	D40649903	90	24-1
Plate, Name (T4)	D40649904	90	17-1
Plate, Name (Safety Works)	D40659700	128	20
Plate, Name (Safety Works)	D40659700	200	20
Plate, Name (IHI)	D40661300	128	2
Plate, Name (IHI)	D40661300	130	2
Plate, Name (IHI)	D40661300	138	2
Plate, Name (IHI)	D40661300	142	2
Plate, Name (IHI)	D40661300	146	2
Plate, Name (IHI)	D40661300	150	2
Plate, Name (IHI)	D40661300	154	2
Plate, Name (IHI)	D40661300	200	2
Plate, Name (Control A)	D40662200	128	33
Plate, Name (Control A)	D40662200	130	36
Plate, Name (Control A)	D40662200	134	34
Plate, Name (Control A)	D40662200	138	36
Plate, Name (Control A)	D40662200	142	36
Plate, Name (Control A)	D40662200	146	36
Plate, Name (Control A)	D40662200	150	36
Plate, Name (Control A)	D40662200	154	36
Plate, Name (Control A)	D40662200	200	31
Plate, Name (Control B)	D40662300	128	33-1
Plate, Name (Control B)	D40662300	130	36-1
Plate, Name (Control B)	D40662300	134	34-1
Plate, Name (Control B)	D40662300	138	36-1
Plate, Name (Control B)	D40662300	142	36-1
Plate, Name (Control B)	D40662300	146	36-1
Plate, Name (Control B)	D40662300	150	36-1
Plate, Name (Control B)	D40662300	154	36-1
Plate, Name (Control B)	D40662300	200	31-1
Plate, Name (Control C)	D40662400	128	33-2
Plate, Name (Control C)	D40662400	130	36-2
Plate, Name (Control C)	D40662400	134	34-2
Plate, Name (Control C)	D40662400	138	36-2
Plate, Name (Control C)	D40662400	142	36-2
Plate, Name (Control C)	D40662400	146	36-2
Plate, Name (Control C)	D40662400	150	36-2
Plate, Name (Control C)	D40662400	154	36-2
Plate, Name (Control C)	D40662400	200	31-2
Plate, Name (Control D)	D40662500	128	33-3
Plate, Name (Control D)	D40662500	130	36-3
Plate, Name (Control D)	D40662500	134	34-3
Plate, Name (Control D)	D40662500	138	36-3
Plate, Name (Control D)	D40662500	142	36-3
Plate, Name (Control D)	D40662500	146	36-3
Plate, Name (Control D)	D40662500	150	36-3
Plate, Name (Control D)	D40662500	154	36-3
Plate, Name (Control D)	D40662500	200	31-3
Plate, Name (Control F)	D40662600	130	36-4
Plate, Name (Control G)	D40662700	128	33-4
Plate, Name (Control G)	D40662700	200	31-4

*1 Note

ALPHABETICAL INDEX

Parts Name	P/N	Page *1	Item
Plate, Name (Control A-D)	D40662800	128	35
Plate, Name (Control A-D)	D40662800	130	37
Plate, Name (Control A-D)	D40662800	134	35
Plate, Name (Control A-D)	D40662800	138	37
Plate, Name (Control A-D)	D40662800	142	37
Plate, Name (Control A-D)	D40662800	146	37
Plate, Name (Control A-D)	D40662800	150	37
Plate, Name (Control A-D)	D40662800	154	37
Plate, Name (Control A-D)	D40662800	200	32
Plate, Name (Control A, B, G)	D40662900	128	34
Plate, Name (Control A, B, G)	D40662900	200	33
Plate, Name (Blade, Pedal)	D40663000	128	32
Plate, Name (Blade, Pedal)	D40663000	130	35
Plate, Name (Blade, Pedal)	D40663000	134	33
Plate, Name (Blade, Pedal)	D40663000	138	35
Plate, Name (Blade, Pedal)	D40663000	142	35
Plate, Name (Blade, Pedal)	D40663000	146	35
Plate, Name (Blade, Pedal)	D40663000	150	35
Plate, Name (Blade, Pedal)	D40663000	154	35
Plate, Name (Blade, Pedal)	D40663000	200	30
Plate, Name (Environment)	D40663100	128	26
Plate, Name (Environment)	D40663100	200	26
Plate, Non-Slip	D40671600	90	33
Plate, Name (Boom Lowering)	D40671800	154	29
Plate, Name (Lifting Procedures)	D40671900	154	30
Plate, Name (Spare Port Change)	D40672000	154	15
Plate, Name (Door Release)	D40672100	154	31
Plate, Name (Environment)	D40678300	130	27
Plate, Name (Environment)	D40678300	134	26
Plate, Name (Environment)	D40678300	138	27
Plate, Name (Environment)	D40678300	142	27
Plate, Name (Environment)	D40678300	146	27
Plate, Name (Environment)	D40678300	150	27
Plate, Name (Environment)	D40678300	154	27
Plate, Name (Safety Works)	D40679500	134	22
Plate, Name (Reflector)	D40691800	134	36
Plate, Name (Reflector)	D40691800	138	38
Plate, Name (Reflector)	D40691800	142	38
Plate, Name (Reflector)	D40691800	146	38
Plate, Name (Reflector)	D40691800	150	38
Plate, Name (Reflector)	D40691800	154	38
Plate, Name (Reflector)(CE)	D40691800	130	38
Plate, Name (IHI)	D40695600	128	27
Plate, Name (IHI)	D40695600	134	27
Plate, Name (IHI)	D40695600	200	27
Plate, Name (Safety Works)	D40701600	154	23
Plate, Name (Y1)	D40712501	194	16-1
Plate, Name (Y2)	D40712502	194	15-1

*1 Note

ALPHABETICAL INDEX

Parts Name	P/N	Page *1	Item
Plate, Name (Lub. Chart)	D40729300	128	23
Plate, Name (Lub. Chart)	D40729300	200	23
Plate, Name (Lub. Chart)	D40729500	130	25
Plate, Name (Lub. Chart)	D40729600	142	25
Plate, Name (Lub. Chart)	D40729800	138	25
Plate, Name (Lub. Chart)	D40730000	150	25
Plate, Name (Lub. Chart)	D40730200	146	25
Plate, Name (Lub. Chart)	D40730400	134	24
Plate, Name (Lub. Chart)	D40730600	154	25
Plate, Name (Specification)	D40732900	128	24
Plate, Name (Specification)	D40732900	200	24
Plate, Name	D40752000	108	38
Plate, Name (BA)	D40781801	96	28-1
Plate, Name (BB)	D40781802	96	29-1
Plate, Name (BP)	D40781803	30	43-1
Plate, Name (BP)	D40781803	34	43-1
Plate, Name (BP)	D40781803	38	44-1
Plate, Name (BT)	D40781804	96	21-1
Plate, Name (Light)	D40781900	172	14
Plate, Name	D40782000	176	13
Plate, Name	D40782400	172	29
Plate, Name (Throttle)	D40782900	172	33
Plate, Name (Engine Daily Check)	D40787700	128	22
Plate, Name (Engine Daily Check)	D40787700	200	22
Plate, Name (Lever Lock)	D40788100	128	21
Plate, Name (Lever Lock)	D40788100	200	21
Plate, Name	D40788300	168	56
Plate, Name (Engine Daily Check)	D40788700	130	24
Plate, Name (Engine Daily Check)	D40788900	138	24
Plate, Name (Engine Daily Check)	D40789100	150	24
Plate, Name (Model)	D40790300	128	31
Plate, Name (Model)	D40790300	130	34
Plate, Name (Model)	D40790300	134	32
Plate, Name (Model)	D40790300	138	34
Plate, Name (Model)	D40790300	142	34
Plate, Name (Model)	D40790300	146	34
Plate, Name (Model)	D40790300	150	34
Plate, Name (Model)	D40790300	154	34
Plate, Name (Model)	D40790300	200	29
Plate, Name (Engine Daily Check)	D40790600	142	24
Plate, Name (Engine Daily Check)	D40790800	154	24
Plate, Name (Engine Daily Check)	D40791200	146	24
Plate, Name (IHI)	D40791300	130	28
Plate, Name (IHI)	D40791300	138	28
Plate, Name (IHI)	D40791300	142	28

*1 Note

ALPHABETICAL INDEX

Parts Name	P/N	Page *1	Item
Plate, Name (IHL)	D40791300	146	28
Plate, Name (IHL)	D40791300	150	28
Plate, Name (IHL)	D40791300	154	28
Plate, Name (Engine Daily Check)	D40791700	134	23
Bracket	D41363100	112	53
Bracket	D41370500	116	44
Bracket	D41374100	116	4
Bracket	D41391900	116	17
Bracket	D41392100	34	6
Bracket	D41392200	30	6
Bracket	D41392200	38	6
Bracket	D41393300	116	35
Bracket	D41394800	116	16
Bracket	D41396700	116	45
Bracket	D41409700	184	20
Bracket	D41411500	112	45
Bracket	D41411600	112	42
Bracket	D41411700	112	46
Bracket	D41411800	112	68
Bracket	D41413600	116	32
Bracket	D41414200	22	26
Bracket	D41414700	112	61
Bracket	D41416300	194	39
Bracket	D41421100	112	9
Bracket	D41421200	112	3
Cover	D41429600	116	19
Bracket	D41430000	126	14
Bracket	D41430700	116	24
Bracket (R.H.)	D41542200	204	2
Bracket	D41590000	90	2
Bracket	D41591000	168	47
Cover	D41591100	116	19-1
Bracket (L.H.)	D41617000	204	7-1
Bracket	D41636800	204	23
Bracket	D41656300	38	48
Bracket (R.H.)	D41671300	204	2-1
Bracket	D41687800	194	57
Bracket	D41704100	168	25
Bracket	D41727300	98	31
Bracket	D41727600	98	34
Bracket	D41728300	102	3
Bracket	D41729300	108	11
Bracket	D41731900	168	30
Bracket	D41732000	168	31
Bracket	D41732100	112	15
Bracket	D41732500	168	8
Bracket	D41739100	168	37
Bracket	D41741100	112	75
Bracket	D41741800	112	76
Bracket	D41743700	98	32
Bracket	D41743800	98	33

*1 Note

ALPHABETICAL INDEX

Parts Name	P/N	Page *1	Item
Bracket	D41743900	102	1
Bracket	D41744000	102	2
Bracket	D41763800	112	87
Bracket	D41817200	116	35
Bracket	D41817800	90	4
Bracket	D41818800	90	1
Bracket	D41818900	96	16
Cover	D41818900	116	19
Bracket	D41819000	92	12
Bracket	D41830200	92	10
Bracket	D41830300	92	9
Bracket	D41830400	172	31
Bracket	D41831200	172	37
Bracket	D41831300	172	38
Bracket	D41831400	172	1
Bracket	D41832200	172	20
Bracket (L.H.)	D41832300	172	21
Bracket(R.H.)	D41832400	172	22
Bracket	D41833300	124	4
Bracket	D41835200	194	48
Bracket	D41839800	112	98
Bracket	D41839900	112	86
Bracket	D41840000	112	85
Plate, Rubber	D43310200	102	29
Plate, Rubber	D43310300	90	5
Plate, Rubber	D43341601	102	5
Plate, Rubber	D43341602	102	6
Plate, Rubber	D43341603	102	13
Plate, Rubber	D43341604	102	31
Plate, Rubber	D43341605	102	32
Plate, Rubber	D44314600	158	19
Cover	D45550700	116	21
Cover	D45551900	116	23
Cover	D45554700	112	52
Cover	D45555000	116	5
Cover	D45560700	184	13
Cover	D45561500	116	36
Cover	D45561600	116	30
Cover	D45561700	116	46
Cover	D45563100	112	57
Cover	D45563200	112	70
Cover	D45563300	116	39
Cover	D45563400	116	38
Cover	D45563500	116	43
Cover	D45563900	116	20
Cover	D45564200	188	25
Cover (L.H.)	D45569700	190	5
Cover (R.H.)	D45569800	190	2
Cover	D45572200	116	10
Cover	D45572300	116	22
Cover	D45572900	116	42
Cover	D45573000	116	41

*1 Note

ALPHABETICAL INDEX

Parts Name	P/N	Page *1	Item
Cover	D45573100	112	63
Cover	D45573200	112	69
Cover (L.H.)	D45587100	2	11
Cover (R.H.)	D45587200	2	10
Cover	D45677500	116	21-1
Cover	D45738900	112	58
Cover	D45739200	112	72
Cover	D45739700	112	54
Cover (For Air Conditioning)	D45740100	112	52-1
Cover	D45741100	102	4
Cover, Tank	D45741600	112	36
Cover	D45741700	112	31
Cover	D45743100	98	27
Cover	D45756800	112	11-1
Cover	D45782100	168	46
Cover	D45782400	116	5
Cover	D45784700	116	21
Cover	D45784800	116	23
Panel	D46510100	120	30
Panel	D46531300	172	2
Panel	D46531400	172	3
Panel	D46531500	172	19
Panel	D46531600	172	4
Cover	D46531700	172	5
Panel	D46531800	92	2
Panel	D46531900	92	3
Panel, Sponge	D46718000	98	9
Panel, Sponge	D46726500	198	7
Panel, Sponge	D46736500	120	24
Panel, Sponge	D46737200	98	11
Panel, Sponge	D46737300	98	12
Panel, Sponge	D46737400	98	13
Panel, Sponge	D46737500	98	14
Panel, Sponge	D46737600	98	15
Panel, Sponge	D46737700	98	16
Panel, Sponge	D46737800	98	17
Panel, Sponge	D46737900	98	3
Panel, Sponge	D46742300	158	17
Panel, Sponge	D46742400	158	16
Panel, Sponge	D46745500	120	15
Panel, Sponge	D46745600	120	14
Panel, Sponge	D46746100	120	8
Panel, Sponge	D46746200	120	25
Panel, Sponge	D46746300	120	45
Panel, Sponge	D46746600	120	40
Panel, Sponge	D46746700	120	39
Panel, Sponge	D46746900	120	13
Panel, Sponge	D46753800	120	43
Panel, Sponge	D46753900	120	42
Panel, Sponge	D46754300	120	9
Panel, Sponge	D46754600	158	18

*1 Note

ALPHABETICAL INDEX

Parts Name	P/N	Page *1	Item
Panel, Sponge	D46755600	34	8
Panel, Sponge	D46755800	120	52
Panel, Sponge	D46755900	120	50
Panel, Sponge	D46756000	120	33
Panel, Sponge	D46756100	120	27
Panel, Sponge	D46756200	120	34
Panel, Sponge	D46756300	120	35
Panel, Sponge	D46756600	120	44
Panel, Sponge	D46756800	120	26
Panel, Sponge	D46756900	120	32
Panel, Sponge	D46757000	120	28
Panel, Sponge	D46757100	120	29
Panel, Sponge	D46757200	120	31
Panel, Sponge	D46757300	120	38
Panel, Sponge	D46757600	120	51
Panel, Sponge	D46757700	120	49
Panel, Sponge	D46757800	120	47
Panel, Sponge	D46757900	120	46
Panel, Sponge	D46758000	120	48
Panel, Sponge	D46758100	120	36
Panel, Sponge	D46758300	198	5
Panel, Sponge	D46760600	120	37
Panel, Sponge	D46769200	198	6
Panel, Sponge	D46803900	120	47
Panel, Sponge	D46803900	120	47-1
Panel, Sponge	D46884900	120	41
Panel, Sponge	D46886100	120	22
Panel, Sponge	D46886200	120	21
Panel, Sponge	D46886800	120	11
Panel, Sponge	D46886900	120	7
Panel, Sponge	D46887400	120	19
Panel, Sponge	D46887500	120	16
Panel, Sponge	D46888700	58	16
Panel, Sponge	D46891100	120	20
Panel, Sponge	D46891200	120	10
Panel, Sponge	D46891300	120	18
Panel, Sponge	D46891400	120	17
Panel, Sponge	D46891700	120	23
Panel, Sponge	D46895000	120	12
Panel, Sponge	D46895100	120	6
Panel, Sponge	D46895200	120	5
Panel, Sponge	D46899300	120	54
Panel, Sponge	D46899400	120	53
Panel, Sponge	D46899500	120	55
Panel, Sponge	D46899600	120	1
Panel, Sponge	D46899700	120	2
Guard	D47021000	198	16
Guard	D47022700	198	28
Rest, Arm	D48000800	92	36
Holder	D48101100	98	35
Link, Bucket	D49005700	180	45
Link, Arm	D49010100	180	37

*1 Note

ALPHABETICAL INDEX

Parts Name	P/N	Page *1	Item
Link, Arm	D49010100	180	40
Link, Arm	D49010200	180	40
Link, Arm	D49028400	180	37
Panel, Sponge	D49328100	120	34
Panel, Sponge	D49328200	120	56
Panel, Sponge	D49337300	120	49
Panel, Sponge	D49337400	120	46
Lever	D49570800	92	32
Lever	D49577400	92	11
Lever	D49577500	96	2
Lever	D49577700	90	3
Stand	D50000500	116	11
Stand	D50004200	116	11
Pedal (L.H.)	D50103800	90	31
Pedal (R.H.)	D50103900	90	32
Duct	D52203000	98	10
Duct	D52203100	98	1
Duct	D52221100	102	7
Cap	D52800500	92	44-1
Cap	D52800500	172	43-1
Cap	D52800500	172	12
Cap	D52800600	92	45-1
Cap	D52800600	172	44-1
Cap	D52800600	172	13
Seal, Trim	D55100000	112	35
Seal, Trim	D55100400	124	9
Pad	D58004300	188	26
Pad, Rubber	D58011800	158	11
Mat	D58118900	124	7
Pipe	D58401200	102	8-1
Pipe	D58401300	102	8
Pipe, Exhaust	D58410200	102	10
Pipe, Tail	D58410400	102	9
Harness	D59125200	168	6
Band, Earth	D59171701	168	5
Cable, Battery	D59171804	168	3
Cable, Battery	D59186603	168	4
Harness	D59191800	108	36
Harness	D59204400	202	1
Shoe Ass'y, Crawler	F30033800	6	0
Shoe, Crawler (Link Chain)	F30033800	2	1-2
Blade Attachment Ass'y	F30048300	190	0
Unit Ass'y, Spring (For Rubber Shoe)	F30068401	8	10
Unit Ass'y, Spring (For Steel Shoe)	F30068402	8	10-1
Idler Ass'y, Front (For Rubber Shoe)	F30068600	10	0
Idler Ass'y, Front (For Steel Shoe)	F30068700	10	0-1
Blade Attachment Ass'y	F30090400	190	0
Frame Ass'y, Swing	F31124600	18	0

*1 Note

ALPHABETICAL INDEX

Parts Name	P/N	Page *1	Item
Bearing Ass'y, Swing	F32009300	18	0-1
Swing Drive Device	F32009500	20	0
Drive Device, Oil Pump	F33054500	106	0
Air Cleaner & Muffler Ass'y	F33055500	102	0
Engine & Accessories	F33055500	98	0
Tank Ass'y, Fuel	F33723100	108	0
Piping Ass'y, Fuel	F33723500	108	0-1
Piping Ass'y, Fuel	F33725400	108	0-2
Piping Ass'y, Fuel	F33728100	108	0-2
Piping Ass'y, Blade	F34049800	192	0
Piping Ass'y, Lower Travel	F34049800	16	0
Piping Ass'y, Hoe Attachment	F34082600	188	0
Tank Ass'y, Hydraulic Oil	F34188400	58	0
Piping Ass'y, Blade	F34188500	192	0-1
Piping Ass'y, Blade	F34233000	192	0-1
Piping Ass'y, Hoe Attachment	F34233000	188	0-1
Piping Ass'y, Pump Discharge & Boom Swing	F34233000	28	0
Piping Ass'y, Return & Suction	F34233000	22	0
Piping Ass'y, Swing & Travel	F34233000	26	0
Lever Ass'y, Travel	F34233100	90	0-1
Pipng Ass'y, Control	F34233100	34	0
Pipng Ass'y, Control	F34233600	30	0
Pipng Ass'y, Control	F34233700	38	0
Piping Ass'y, Spare Port	F34233802	194	0
Piping Ass'y, Spare Port	F34233803	194	0-1
Piping Ass'y, Grease	F34703200	18	0-2
Canopy Ass'y	F35356600	198	0
Cabin Ass'y (For Wide Door)	F35379300	158	12-1
Cabin Ass'y (For Wide Door)	F35379300	160	0-1
Cabin Ass'y (For Wide Door)	F35379300	164	0-1
Cabin Ass'y	F35407400	158	12
Cabin Ass'y	F35407400	160	0
Cabin Ass'y	F35407400	164	0
Room Ass'y, Operator	F35415400	158	0
Cover Ass'y	F35452900	112	0
Cover Ass'y	F35452900	116	0
Noise Absorbent Ass'y	F35452900	120	0
Heater Ass'y, Car	F35454800	176	0
Accessories Ass'y	F35483500	168	0-1
Seat Ass'y, Operator	F35483900	124	0
Cover Ass'y	F35486400	112	0
Cover Ass'y	F35486400	116	0
Noise Absorbent Ass'y	F35486400	120	0
Heater Ass'y, Car	F35491600	176	0
Mat Ass'y	F35494100	124	0-1
Cover Ass'y	F36100400	116	0-1
Cover Ass'y (For Short	F36100500	116	0-2

*1 Note

ALPHABETICAL INDEX

Parts Name	P/N	Page *1	Item
Lever)			
Cover Ass'y (For Short Lever)	F36150700	116	0-2
Control Ass'y, Blade & Boom Swing	F36155400	96	0-1
Lever Ass'y, Control	F36155400	92	0-1
Panel Ass'y, Instrument	F36155400	172	0
Control Ass'y, Blade & Boom Swing	F36155700	96	0
Lever Ass'y, Control	F36155700	92	0
Lever Ass'y, Travel	F36155700	90	0
Battery Ass'y	F36653900	168	0-2
Alarm Device, Traction	F36671000	202	0
Electrical System	F36672800	168	0
Weight Ass'y, Counter	F37316800	126	0
Plate Ass'y, Name	F37646400	128	0-2
Plate Ass'y, Name	F37646400	200	0-2
Plate Ass'y, Name	F37766600	128	0-1
Plate Ass'y, Name	F37766600	130	0-3
Plate Ass'y, Name	F37766600	134	0-1
Plate Ass'y, Name	F37766600	138	0-1
Plate Ass'y, Name	F37766600	142	0-1
Plate Ass'y, Name	F37766600	146	0-1
Plate Ass'y, Name	F37766600	150	0-1
Plate Ass'y, Name	F37766600	154	0-1
Plate Ass'y, Name	F37766600	200	0-1
Plate Ass'y, Name	F37767600	200	0
Plate Ass'y, Name	F37767700	128	0
Plate Ass'y, Name	F37768900	134	0
Plate Ass'y, Name	F37770000	130	0-2
Plate Ass'y, Name	F37771100	130	0-1
Plate Ass'y, Name	F37772100	130	0
Plate Ass'y, Name	F37773200	142	0
Plate Ass'y, Name	F37774300	138	0
Plate Ass'y, Name	F37775300	154	0
Plate Ass'y, Name	F37776400	150	0
Plate Ass'y, Name	F37777500	146	0
Light Ass'y	F38506700	204	0
Light Ass'y	F38517100	204	0-1
Swing Ass'y, Boom	F38806600	184	0
Bucket Ass'y, Hoe (0.28m3)	F38812901	186	0-5
Bucket Ass'y, Hoe (0.11m3)	F38812902	186	0-1
Bucket Ass'y, Hoe (0.21m3)	F38812904	186	0-3
Bucket Ass'y, Hoe (0.25m3)	F38815501	186	0
Bucket Ass'y, Hoe (W/Hook, 0.25m3)	F38815601	186	0-4
Bucket Ass'y, Hoe (Reinforced, 0.25m3)	F38816401	186	0-6
Bucket Ass'y, Hoe (0.16m3)	F38821901	186	0-2
Attachment Ass'y, Hoe	F38823900	180	0
Attachment Ass'y, Hoe	F38833700	180	0
Plate Ass'y, Name	F77140500	130	0-4

*1 Note

ALPHABETICAL INDEX

Parts Name	P/N	Page *1	Item
Plate Ass'y, Name	F77140500	134	0-2
Plate Ass'y, Name	F77140500	138	0-2
Plate Ass'y, Name	F77140500	142	0-2
Plate Ass'y, Name	F77140500	146	0-2
Plate Ass'y, Name	F77140500	150	0-2
Plate Ass'y, Name	F77140500	154	0-2
Bracket (For Tlavel Lock)	F77152100	112	76-1
Element Ass'y	Y11916012560	102	33-1
Pump Ass'y, Fuel	Y11922552102	108	34
Element Ass'y	Y11980255710	108	33-2
Filter, Fuel	Y11980255801	108	35
Bracket	Y12125644600	98	62
Band	Y12445044550	98	61
Lamp, Pilot	Y12473277800	172	39
Indicator	Y12665012680	102	33-2
Sedimenter, Water	Y12990655700	108	33
Muffler Ass'y	Y12990713500	102	34
Washer, Flat	Y12992777690	168	54
Relay , Air Heater	Y12992777900	168	50
Relay, Starter	Y12992777920	168	51
Gasket	Y12993013201	102	35
Element Ass'y	Y12993512520	102	33-1
Cleaner, Air	Y12993912550	102	33
ECU	Y12993975040	168	53
Tank, Sub	Y17106444510	98	60
Relay	Y19846152950	168	52

*1 Note

初版発行

不許複製

Published,

80VX3

パーツカタログ
PARTS CATALOG

編集及び発行所

IHI建機株式会社 設計部 技術管理G

Editing & Publishing Office

IHI Construction Machinery Limited

Design Department

〒236-8611 神奈川県横浜市金沢区昭和町 3174

3174 Syowa-machi, Kanazawa-ku, Yokohama, Kanagawa, 236-8611, Japan
